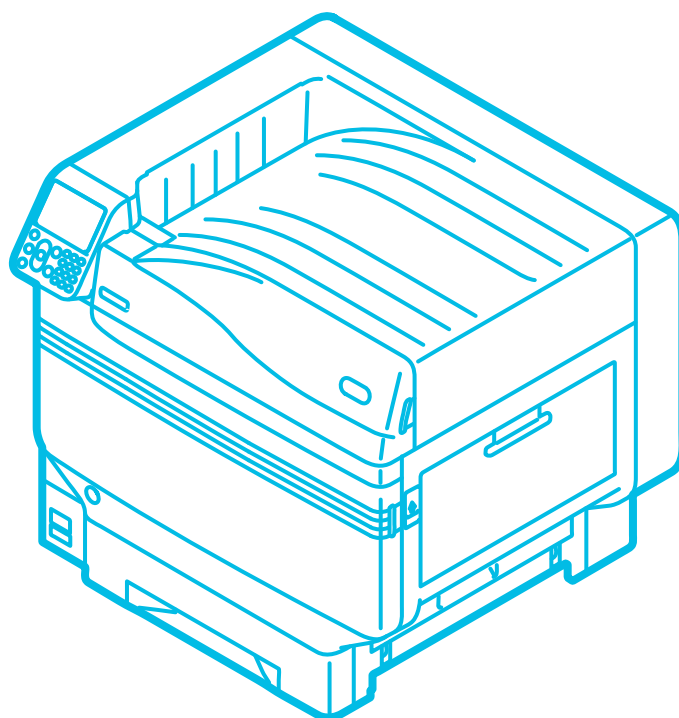


User's Manual

Basic

Preparing the printer to print



C911dn
C931dn
C941dn
ES9411dn
ES9431dn
ES9541dn

1 Before use

2 Setting Up

3 Printing

4 Basic Device Operations

Appendix

Index

- This manual contains cautions on how to use this product safely. Before you use this product, please make sure that you read this manual.
- Carefully store this manual close to hand so.

● Manual Configuration

The following user manuals are enclosed with the product.

The e-manual is stored on the "Software DVD-ROM".

Step 1 Read this first



• Pamphlet

Opening the box and installing the printer

Easy Guide (Set-up Guide)

This guide uses illustrations to explain the methods from opening the box to installation. For the advanced setup guide, see the "Basic".



• Pamphlet
• E-format

Preparing the printer to print

Basic (This manual)

This guide describes the precautions for safe use of the device. Make sure to read before use. Further, basic uses from the device installation methods to initial printing are also explained. The device functions are described in the appendix.

- Checking the product
- Parts nomenclature and functions
- Using the device to its fullest
- Installing the device
- Turning ON and OFF the power supply
- Test printing using the printer only
- Connecting to a PC
- Paper
- Printing
- Paper ejection
- Setting Power Save mode
- Setting auto power OFF
- Checking the print quantity, consumables, remaining maintenance unit quantity, and remaining service life
- Cancelling a print job
- Adding printers using LPD protocols (TCP/IP)
- Table of control panel menu items
- Basic Windows procedures
- Printer specifications

Step 2 Read these guides as necessary



• E-format

Try using various functions

Advanced

This guide explains the various paper print methods and how to use useful functions. Read to optimize the printing environment or to adjust the color, etc., using the enclosed utility software. Further, this guide also explains the items that can be set from the control panel, and the network settings.

- Useful print functions
- Adjusting the color
- Using utility software
- Network settings
- Checking and changing printer settings using the control panel



• Pamphlet
• E-format

Read for any points that are not understood, or for maintenance

Troubleshooting/Daily Maintenance Manual

This manual explains the procedures for paper and paper jams, and troubleshooting method if an error message is displayed. This manual also explains daily maintenance such as how to replace consumables and maintenance units, and cleaning, etc.

- Troubleshooting
- Maintenance
- Consumables, maintenance products, options, color management server, etc.



• Pamphlet
• E-format

Using C941/ES9541dn

Separate Volume Spot Color Guide

This guide explains how to set up the Spot Color kit and check the printer drivers, and how to print using Spot Color. Make sure to read before use.

- Setting the Spot Color kit
- Control panel explanation
- Checking the printer drivers
- Table of printer driver functions
- Printing on color paper
- Printing on transparent film
- Specifying and printing Spot Color toner using the applications
- Fine-tuning white
- Switching Spot Color kits

● About the Enclosed "Software DVD-ROM"

When the "software DVD-ROM" enclosed with the device is placed in the DVD-ROM drive, the following menu screen will be displayed.

 Memo

- This example uses the Windows screens.
- If using a Macintosh, double-click the [OKI] icon.

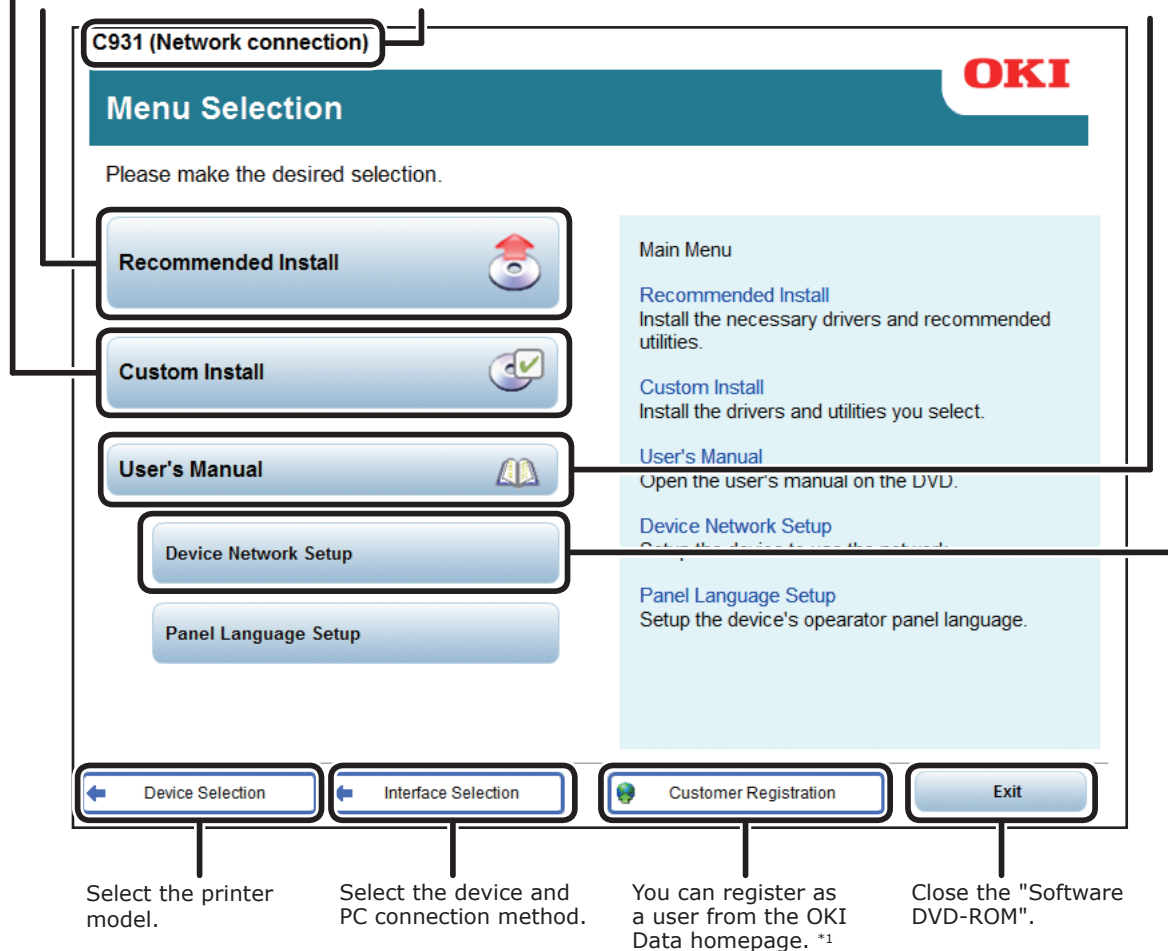
You can add and select printer drivers.

Click here to install the standard printer drivers.

Describes the selected printer and PC connection type.

You can install and set the device utility software.

To learn the easy device functions and various settings, see the PDF manual from here. *2



*1: Access is only possible using an internet-enabled environment.

*2: To view the PDF manual, Adobe Reader/Adobe Acrobat Reader is required.

● Reading the Manual

Symbols

! Note

- These are cautions and restrictions for the correct operation of the device. Make sure to read to avoid misoperation.

Memo

- Knowledge of the information before using the device is useful and can act as a reference. Reading is recommended.

Reference

- These are the reference pages. Read to learn detailed information and relevant information.

DANGER

- Mishandling due to ignoring this display may cause death or serious injury.

WARNING





- Mishandling due to ignoring this display may cause death or serious injury.

CAUTION

- Mishandling due to ignoring this display may cause personal injury.

Keys, Buttons, and Symbols

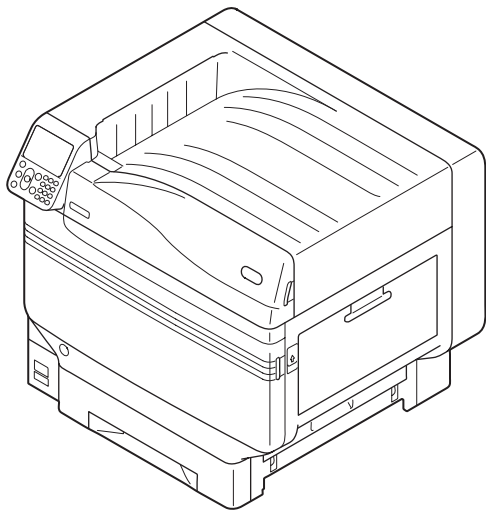
This chapter described the following keys, buttons, and symbols.

Inscription	Explanation
[...] button/key	<ul style="list-style-type: none"> ● The control panel buttons and 10-key pad are described below. E.g.: <div style="display: flex; justify-content: space-around; align-items: center;"> <div style="text-align: center;">  → [OK] button </div> <div style="text-align: center;">  → [BACK] button </div> </div> <div style="display: flex; justify-content: space-around; align-items: center; margin-top: 10px;"> <div style="text-align: center;">  → [Fn] key </div> <div style="text-align: center;">  → [CLEAR] key </div> </div> <ul style="list-style-type: none"> ● Indicates your PC keyboard.
[]	<ul style="list-style-type: none"> ● Describes the menu name on the liquid crystal panel. ● Describes the PC menus, windows, and dialog box names.
" "	<ul style="list-style-type: none"> ● Describes the messages and input text displayed in the liquid crystal panel. ● Describes the file and screen names on the PC. ● Describes the reference title.
>	Describes the menu level of the device or PC.

Illustrations

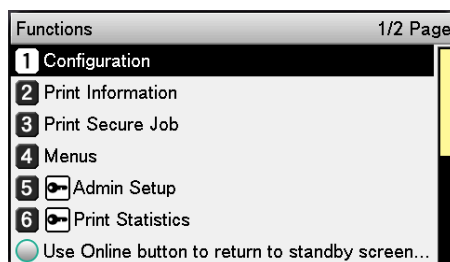
The device illustrations used herein show the C931 model unless otherwise specified.

Illustrations may differ from the actual product.



Screens

The images of the control panel and PC used herein are examples. The images may differ from actual products and screens.



Inscriptions

The following inscriptions are used in this manual.

- C911dn → C911
- C931dn → C931
- C941dn → C941
- ES9411dn → ES9411
- ES9431dn → ES9431
- ES9541dn → ES9541
- Microsoft® Windows® 7 64-bit Edition operating system → Windows 7 (64bit version)
- Microsoft® Windows® 7 operating system → Windows 7
- Mac OS X10.3.9 or later → Mac OS X

The manuals enclosed with the device use as examples Windows 7 in the case of Windows and OS X 10.8 in the case of Mac OS X unless otherwise specified.

Depending on the OS and model used, descriptions in this manual may differ.

● About the Product Warranty

Every effort has been made to ensure that the information in this document is complete, accurate, and up-to-date. The manufacturer assumes no responsibility for the results of errors beyond its control. The manufacturer also cannot guarantee that changes in software and equipment made by other manufacturers and referred to in this guide will not affect the applicability of the information in it. Mention of software products manufactured by other companies does not necessarily constitute endorsement by the manufacturer.

While all reasonable efforts have been made to make this document as accurate and helpful as possible, we make no warranty of any kind, expressed or implied, as to the accuracy or completeness of the information contained herein.

All rights are reserved by Oki Data Corporation. You must not copy, transfer, translate, etc. the content herein without authorization. You must obtain written permission from Oki Data Corporation before doing any of the above.

© 2013 Oki Data Corporation

OKI is a registered trademark of Oki Electric Industry Co., Ltd.

Energy Star is a trademark of the United States Environmental Protection Agency.

Microsoft, Windows, Windows Server and Windows Vista are registered trademarks of Microsoft Corporation.

Apple, Macintosh, Rosetta, Mac and Mac OS are registered trademarks of Apple Inc.

Other product names and brand names are registered trademarks or trademarks of their proprietors.



As an ENERGY STAR ® Program Participant, the manufacturer has determined that this product meets the ENERGY STAR guidelines for energy efficiency.



This product complies with the requirements of the Council Directives 2004/ 108/EC (EMC), 2006/95/EC (LVD), 1999/5/EC (R&TTE), 2009/125/EC (ErP) and 2011/65/EU (RoHS), as amended where applicable, on the approximation of the laws of the member states relating to Electromagnetic Compatibility, Low Voltage, Radio & Telecommunications Terminal Equipment, Energy related Products and Restriction on the use of certain Hazardous Substances in electrical and electronic equipment.

The following cables were used to evaluate this product to achieve EMC directive 2004/108/EC compliance and configurations other than this may affect that compliance.

cable type	length (meters)	core	shield
Power	1.8	X	X
USB	5.0	X	✓
LAN	15.0	X	X

● Emergency first aid

Take care with toner powder:



If swallowed, give small amounts of cold water and seek medical attention. DO NOT attempt to induce vomiting.

If inhaled, move the person to an open area for fresh air. Seek medical attention.

If it gets into the eyes, flush with large amounts of water for at least 15 minutes keeping eyelids open. Seek medical attention.

Spillages should be treated with cold water and soap to help reduce risk of staining skin or clothing.

● Manufacturer

Oki Data Corporation,
4-11-22 Shibaura, Minato-ku,
Tokyo 108-8551,
Japan

For all sales, support and general enquiries contact your local distributor.

● Importer to the EU/Authorized representative

OKI Europe Limited (trading as OKI Printing Solutions)

Blays House
Wick Road
Egham
Surrey, TW20 0HJ
United Kingdom

For all sales, support and general enquiries contact your local distributor.

● Environmental information



● For Your Safety
















Read the User's Manual for your safety before using the product.



Cautions related to safety

⚠ WARNING A warning provides additional information which, if ignored, may result in a risk of personal injury.

⚠ CAUTION A caution provides additional information which, if ignored, may result in equipment malfunction or damage.

General cautions

⚠ WARNING		
 Do not touch the safety switch inside the machine. Doing so may cause electric shock when high voltage occurs. In addition, gears can rotate, which may result in personal injury.	 Do not use an inflammable spray near the machine. Doing so may cause fire since there is an area heating up within the machine.	 Pull the power plug out of the socket and contact with a customer's service centre when the cover is unusually hot, smoking, giving off questionable odour, or making a strange noise. Failure to do so may cause fire.
 Pull the power plug out of the socket and contact with a customer's service centre when a liquid such as water enters in the internal parts of the machine. Failure to do so may cause fire.	 Pull the power plug out of the socket and remove foreign materials such as clips when they fall inside the machine. Failure to do so may cause electric shock and/or fire leading to personal injuries.	 Do not operate and/or disassemble the machine other than that directed in User's Manual. Doing so may cause electric shock and/or fire leading to personal injuries.
 Unplug the power cord and contact with a customer's service center if the machine is dropped or the cover is damaged. Failure to do so may cause electric shock and/or fire leading to personal injuries.	 Unplug the power cord periodically to clean plug blades and root section between the blades. If the power plug remains inserted for a long time, the root section will get dusty, and the plug may be shorted out, which may cause fire.	 Do not clean spilled toner with a vacuum cleaner. If cleaning spilled toner with a vacuum cleaner, it may catch fire due to the sparks from electric contact. Toner spilled on the floor should be wiped off with wet cloth.
 Do not insert materials in a vent hole. Doing so may cause electric shock and/or fire leading to personal injuries.	 Do not put a cup with liquids such as water on the machine. Doing so may cause electric shock and/or fire leading to personal injuries.	 Do not touch the fuser and other parts when opening the cover of the machine. Doing so may cause burns.
 Do not throw toner cartridges and image drum cartridges into fire. Doing so may cause dust explosion leading to burns.	 Do not use a power cord, a cable, or a ground wire other than those that are indicated in User's Manual. Doing so may cause fire.	 The operation of using UPS (uninterruptible power source) or inverters is not guaranteed. Do not use uninterruptible power source or inverters. Doing so may cause fire.

⚠ CAUTION	
 Do not come closer to the paper's exit area when the power is turned on, while printing. Doing so may result in personal injury.	 Do not touch a damaged liquid-crystal display. If liquid (liquid crystal) leaked from the liquid-crystal display gets into the eyes or mouth, flush with large amount of water. Follow the direction from a doctor if necessary.

When installing or moving

WARNING

For the U.S.A. and Canada

Multifunctional Digital Systems require 110 to 127 V, 10 A, 50/60 Hz electric power.

For the EU

Multifunctional Digital Systems require 220 to 240 V AC, 5 A, 50/60 Hz electric power.

Except the U.S.A., Canada and the EU

Multifunctional Digital Systems require 220 to 240 V AC, 5 A, 50/60 Hz electric power.

- Do not use a power supply with a voltage other than that specified.
Avoid multiple connections in the same outlet. This could cause a fire or give you an electric shock. If you are considering increasing the number of outlets, contact an electrician.
- Always connect this machine to an outlet with a ground connection to avoid the danger of fire or electric shock in case of short-circuiting. Contact your service representative for the details. Be sure to use a 3-conductor, grounded wall outlet.
In areas, except the U.S. and Canada, where a 2-pin plug is used, the machine must be grounded for safety. Never ground it to a gas pipe, a water pipe, or any other object not suitable for grounding.
- Plug the power cord securely into the outlet. If it is not plugged in properly, it could heat up and cause a fire or give you an electric shock.
- Do not damage, break or attempt to repair the power cord.
The following things should not be done to the power cord.
 - Twisting it
 - Bending it
 - Pulling it
 - Placing anything on it
 - Heating
 - Situating it near radiators or other heat sourcesThis could cause a fire or give you an electric shock. If the power cord is damaged, contact your dealer.
- The socket outlet shall be near the equipment and be easily accessible.
- Pull out the plug from the outlet more than once a year to clean around the prongs. Accumulating dust and dirt could cause a fire due to the heat released by electric leakage.

CAUTION

- When removing the plug from the outlet, do not pull the power cord. Always hold the plug when removing it from the outlet. If the power cord is pulled, the wires may break and this could cause a fire or give you an electric shock.
- Make sure that the ventilation holes are not blocked.
If the temperature within the machine becomes too high, a fire could result.

■ Other points

- Be sure to fix the power cable securely so that no one trips over it.
- Adverse environmental conditions may affect the safe operation and performance of the machine, and the machine could break down.
 - Avoid locations near windows or with exposure to direct sunlight.
 - Avoid locations with drastic temperature fluctuations.
 - Avoid too much dust.
 - Avoid locations that suffer from vibration.
- Make sure that the air is able to flow freely and that there is sufficient ventilation. Without adequate ventilation, the unpleasant odor released by ozone will begin to dominate the atmosphere.

When using the machine

WARNING

- Do not take off the cover of the equipment; otherwise you could be injured or get an electric shock.
- Do not remove or connect the plug with wet hands, as this could give you an electric shock.
- Do not place any container with liquid (flower vases, coffee cups, etc.) on or near the equipment. This could cause a fire or give you an electric shock.
- Keep paper clips and staples away from the air vent. If not, a fire could result or you could get an electric shock.
- If the machine becomes excessively hot, smoke comes out of it or there is an odd smell or noise, proceed as follows.
Turn the main power switch OFF and remove the plug from the outlet, then contact your service representative.
- If the machine will not be used for more than one month, remove the plug from the outlet for safety purposes during that time. If an insulation failure occurs, this could cause a fire or give you an electric shock.

CAUTION

- Do not place heavy objects (8 Kg/18 lb. or more) on the original glass and do not press on it with force. Breaking the glass could cause personal injury.
- Do not place heavy objects (8 Kg/18 lb. or more) on the machine. If the objects fall off, this could cause injury.
- Do not touch the fuser unit or the metal area around it. Since they are very hot, you could be burned or the shock could cause you to injure your hand in the machine.
- Be careful not to let your fingers be caught when closing the tray. This could cause an injury.
- Be careful not to let your fingers be caught between the equipment and the duplexing unit or automatic duplexing unit. This could cause an injury.
- Do not touch the metal portion of the guide plate in the duplexing unit or automatic duplexing unit as it could burn you.
- Do not touch the hinge (= a connecting part) on the rear side of the Reversing Automatic Document Feeder. This could catch and injure your fingers when you open or close the Reversing Automatic

Document Feeder.

- Always keep hands and fingers clear of the finisher tray hinge, as the tray could move unexpectedly. Failure to do so could result in injury to your hand and/or fingers.
- Do not use the pulled out tray as steps. This could injure you if you fall.
- When changing the angle of the control panel, be careful not to catch your hands in the gap between the equipment and the control panel. This could cause personal injury.
- Do not place objects of weighing 3.3 kg/7.3 lb. or more on the optional work table. Breaking the work table could cause personal injury.

■ Other points

- Be very careful to treat the touch panel gently and never hit it. Breaking the surface could cause malfunctions.
- Be sure to turn the power OFF when leaving the office or if there is a power outage. However, do not turn the power OFF if the weekly timer is in use.
- Be careful because the paper exit area and paper just after exiting are hot.
- Do not place anything other than paper on the receiving tray. This could disturb a normal operation and cause malfunctions.
- Do not touch the photoconductive drum and transfer belt. This could cause image problems.
- Do not open/close the covers and the MPT, or pull out the trays during printing.

During maintenance or inspection

WARNING

- Never attempt to repair, disassemble or modify the machine by yourself. You could cause a fire or get an electric shock.
- Do not let liquids such as water and oil get into the machine when cleaning the floor. This could cause a fire and give you an electric shock.

CAUTION

- Always keep the plug and outlet clean. Prevent them from accumulating dust and dirt. This could cause a fire and give you an electric shock due to the heat released by electric leakage.
- Do not touch the stapling area. The actual needle point could cause you personal injury.

■ Other points

- Do not use such solvents as thinner or alcohol when cleaning the surface of the machine.
 - This could warp the shape of the surface or leave it discolored.
 - When using a chemical cleaning pad to clean it, pay attention to any cautionary points.

When handling supplies

CAUTION

- Never attempt to incinerate toner cartridges and waste toner boxes. Dispose of used toner cartridges and waste toner boxes in accordance with local regulations.

■ Other points

- Read the user's manual carefully to replace the toner cartridge using the correct procedure. An improper procedure could cause toner leakage or scattering.
- Do not open the toner cartridge forcibly. This could cause toner leakage or scattering.
- Keep the toner cartridge out of the reach of children.
- If toner is spilt on your clothes, wash it off with cold water. If you use warm water, your clothes will be permanently stained with toner because it will not come out.
- If toner leaks from the toner cartridge, be careful not to inhale or touch it.

First-aid measures

If you inhale or touch toner, etc; carry out the following treatment.

- Inhalation: Remove from exposure area to fresh air immediately. Contact a physician if there is any difficulty in breathing or other signs of distress.
- Skin Contact: Wash with soap and water. Wash clothing before reuse. If irritation occurs or is persistent, seek medical attention.
- Eye Contact: Immediately flush eyes with plenty of water for at least 15 minutes. If irritation persists, call a physician.
- Ingestion: Dilute stomach contents with several glasses of water.

Contents

Manual Configuration.....	2
About the Enclosed "Software DVD-ROM"	3
Reading the Manual.....	4
Symbols	4
Keys, Buttons, and Symbols.....	4
Illustrations	5
Screens.....	5
Inscriptions.....	6
About the Product Warranty	7
Emergency first aid	8
Manufacturer.....	8
Importer to the EU/Authorized representative	8
Environmental information	8
For Your Safety	9
Cautions related to safety.....	9
General cautions	9
When installing or moving	10
When using the machine	11
During maintenance or inspection.....	13
When handling supplies	14
Viable with C911/C931/C941/ES9411dn/ES9431dn/ES9541dn.....	19
1. Before use	23
Checking the product.....	23
Checking the Package Contents	23
Parts Nomenclature and Functions.....	25
Main Unit.....	25
Front/Right Side.....	25
Back/Left Side	26
Printer Interior	27
Front Interior.....	27
Right Side Interior.....	28
Left Side Interior.....	29
Interface.....	30
Control Panel	31
Main Control Panel Features.....	32
Control Panel Appearance.....	32
Adjusting the Control Panel Brightness.....	35

Using the 10-Key Pad	36
Function Numbers Table	37
Using the Device to its Fullest Extent	38
Options	38
Color management server	39
2. Setting Up	41
Installing the Device	41
Installation Conditions	41
Installation Procedure	44
Opening the Package and Installation	44
Opening the Package and Moving the Device	44
Mounting Consumables	46
Setting Paper	49
Mounting the Expansion Unit (Optional)	50
Mounting the Built-in HDD (Optional)	54
Turning ON/OFF the Power	56
Power Supply Precautions	56
Power Supply Conditions	56
Connecting Power Cables	57
Turning ON the Power Supply	57
Turning OFF the Power Supply	58
Test Printing Using the Printer Only	59
Printer Information	60
Connecting the PC	61
Flow for Installing Drivers on a PC	61
Operating Environment	62
Printer Driver Types	62
Connecting Cables	63
Connecting Using LAN Cables	63
Connecting Using USB Cables	64
Installer Printer Drivers (Windows)	65
Network Connections	65
USB Connections	72
If Setup Fails	74
Installing Printer Drivers (Macintosh)	74
Network Connections	74
USB Connections	80
If Setup Fails	82
Adding Options	82

3.Printing	87
Paper	87
Usable Paper Types	87
Paper Feed and Output Methods Selectable for Each Paper type	90
☐(Landscape) and ☐(Portrait) Icons	92
Printing from Trays.....	93
Setting Paper in Trays 1 to 5	93
Printing from Trays.....	94
Printing from the Multi-Purpose Tray	98
Setting Paper in the Multi-Purpose Tray.....	98
Setting Paper Using the Control Panel	98
Setting Paper.....	99
Printing from the Multi-Purpose Tray	101
Outputting Paper	106
Using the Face-Down Stacker (Print Face Is Down).....	106
Using the Face-Up Stacker (Print Face Is Up).....	108
4.Basic Device Operations	111
Setting Power Save Mode	111
Setting Power Save Mode.....	111
Setting the time before the printer enters power save mode	112
Setting sleep mode	113
Setting the time before the printer enters sleep mode.....	114
Restrictions in sleep mode.....	116
Printer driver utility restrictions.....	116
Network function restrictions	117
Setup to Turn OFF the Power Supply Automatically	118
Setting auto power OFF mode	118
Setting the time before the printer enters auto power OFF mode.....	119
Checking print quantities	120
Checking Consumables, and Remaining Maintenance Unit Quantities and Service Life	121
Canceling Printing	122
Adding Printers Using LPD (TCP/IP) Protocols.....	123
Preparations.....	123
Procedure for Adding Printers	123

Appendix 125

- Table of control panel menu items 125
- Basic Windows Functions 133
 - Displaying the Properties Window133
 - Displaying the print setup window133
- Specifications 134
 - Main specifications134
 - Network interface specifications137
 - USB interface specifications.....138
 - Dimensions139

Index 141

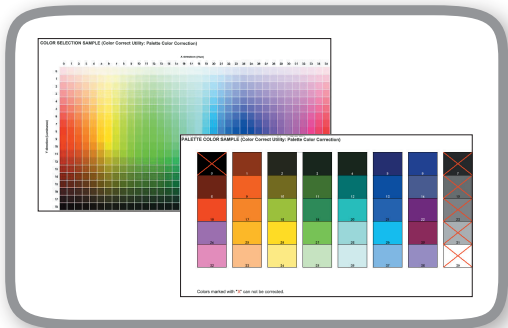
Oki contact details..... 145

● Viable with C911/C931/C941/ES9411dn/ES9431dn/ES9541dn



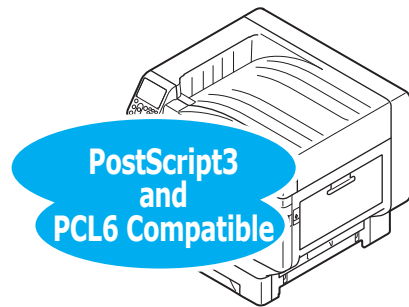
Abundant color matching functions can be used

The device has functions to compensate color misalignment and density using the control panel, and can adjust the color balance. Further, colors can be adjusted, the print results simulated, and the colors separated and printed using the color management system from the PC.



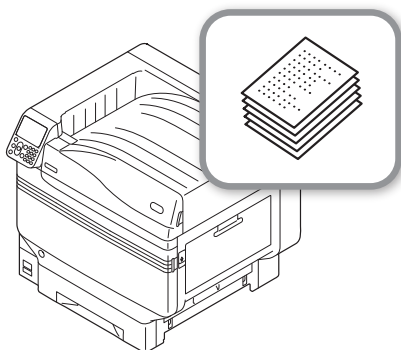
It is possible to print from various applications

The built-in Adobe PostScript3, PCL6 emulation, and XPS emulation enable printing from a wide range of applications.



Various printings are possible using the convenient functions

Various printings are possible using the device convenient functions when printing from a PC.

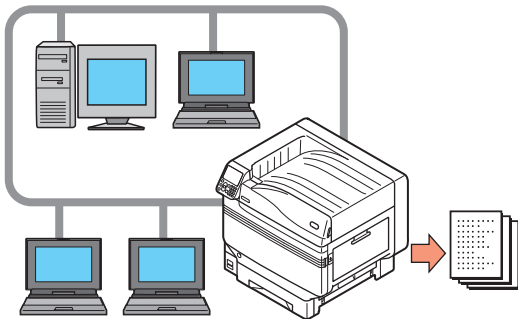




Usable as a network printer

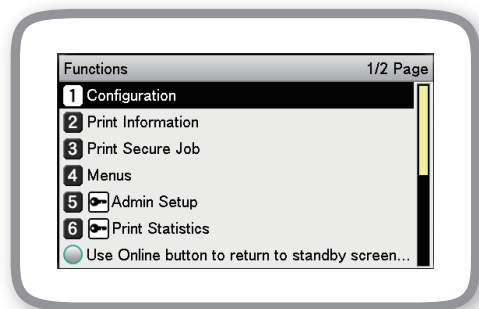
High-quality, high-speed printing is possible from various applications. (With A4, 50 sheets a minute using color/monochrome printing.) As it is possible to connect to a network and print from multiple PCs, office space saving and cost reductions are achieved.

(This manual [page 61](#))



Functions can be set using the control panel

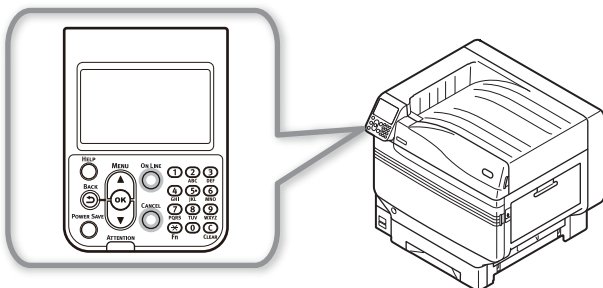
Various device functions can be set such as changing paper size and network setup from the control panel. Further, administrator passwords can also be set using the control panel.



The printer status can be checked, and error messages and help displayed, on the control panel

Either "Remaining toner quantity display" or "Tray information display" can be displayed in the control panel standby screen. If an error occurs in the device, you can work while checking the control panel messages.

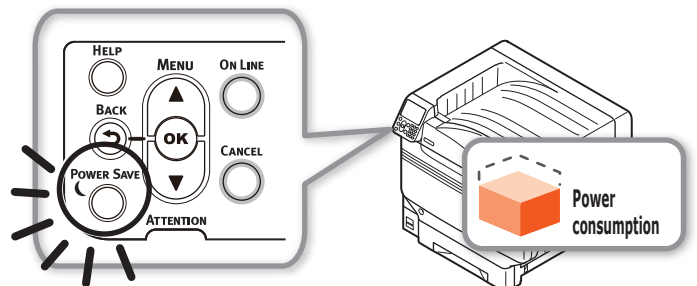
(This manual [page 31](#))



Power consumption is reduced when the printer is not in use (Power save mode)

If the device is not used for a fixed period of time, power save mode starts automatically (power save mode/sleep mode) to enable power consumption to be reduced. Press the [POWER SAVE] button to enter power save mode manually. When in sleep save mode, the [POWER SAVE] button is lit green.

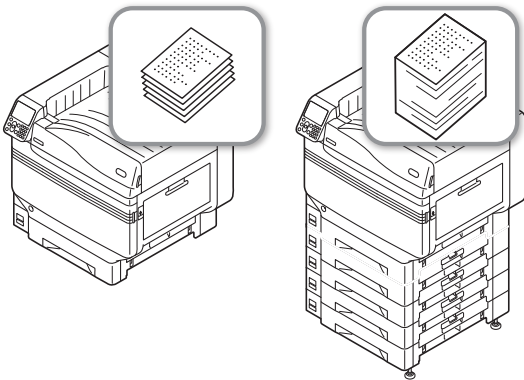
(This manual [page 111](#))



Option **Increasing the quantity of paper that can be fed**

Mounting the optional expansion tray unit enables the continuous printing of large quantities and the printing of different paper sizes to be implemented smoothly.

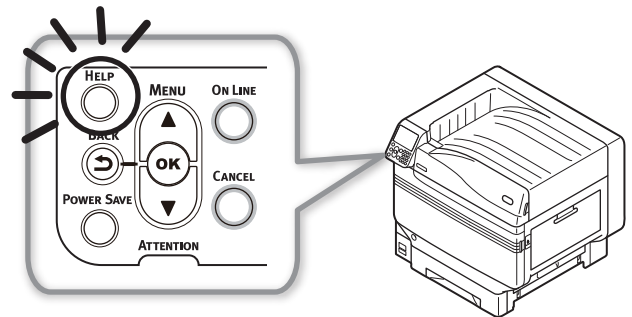
(This manual [page 38](#))



Help **Use the help function to check if you do not understand something or if trouble occurs when using the device**

Press the [HELP] button on the control panel to display messages for resolutions if trouble occurs, and how to troubleshoot. (Animations will be displayed depending on the error details.)

(This manual [page 34](#))
(Troubleshooting/Daily Maintenance Manual)



■ **Memo**

1. Before use

This chapter explains the package contents of the product and the nomenclature and functions of the parts.

Note

- The C941/ES9541dn Spot Color kit is a separate package. For the set-up method, see the "Separate Volume Spot Color Guide".

● Checking the product

Checking the Package Contents

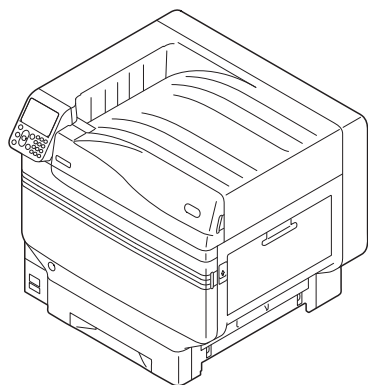
Open the packing case and check the contents of the box.

CAUTION	There is a risk of injury.	!
<ul style="list-style-type: none"> • C911/C931/ES9411dn/ES9431dn models weigh approx. 97kg*, and C941/ES9541dn models weigh approx. 117Kg*, so make sure to use at least 4 people minimum when lifting. 		

*: Includes consumables such as the image drum and toner cartridge, etc.

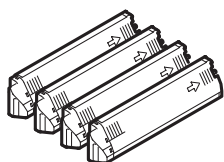
Reference

- See "Opening the Package and Installation" (P.44) for how to open the package.
- See "Mounting the Expansion Unit (Optional)" (P.50) for the expansion tray.
- Printer Unit

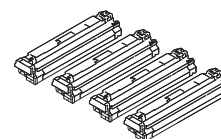


Memo

- A maximum of five optional expansion tray units (trays 2 to 5) can be mounted to C911/C931/C941/ES9411dn/ES9431dn/ES9541dn.
- Toner cartridge (One each of black, yellow, magenta, and cyan)



- Image drum (One each of black, yellow, magenta, and cyan)



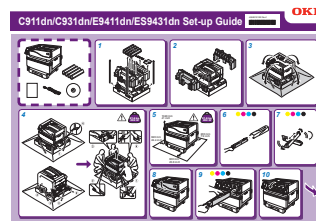
Note

- The image drum is set inside the main unit before shipment from the factory.

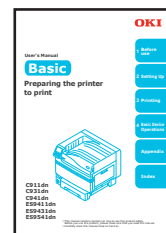
- Software DVD-ROM



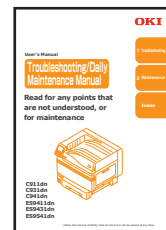
- Easy Guide (Set-up Guide)



- User's Manual (Basic).



- User's Manual (Troubleshooting/Daily Maintenance Manual)



1 Before use

2 Setup

3 Printing

4 Basic Device Operations

Appendix

Index

Note

- LAN cables, USB cables, and hubs are not included with the printer. Prepare them separately.
- The packing case and buffer material are required when shipping the device. Do not discard them, but store them safely.

1

Before use

2

Setting Up

3

Printing

4

Basic Device Operations

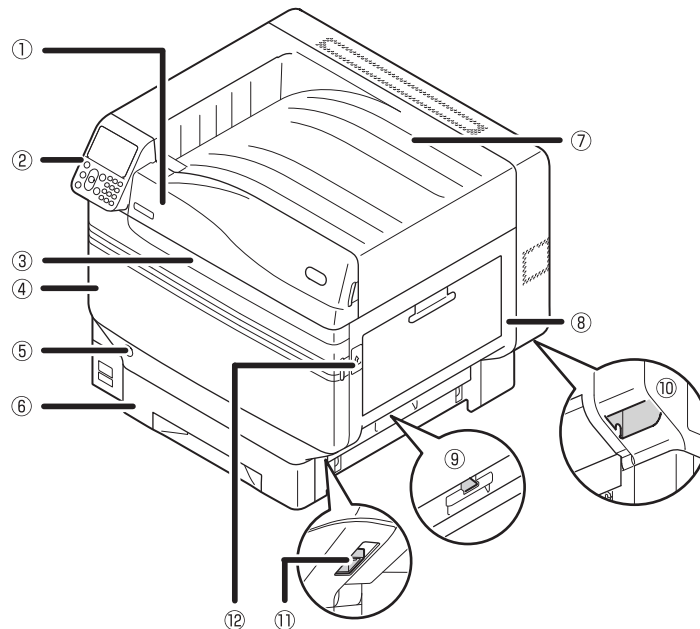
Appendix

Index

● Parts Nomenclature and Functions

Main Unit

Front/Right Side



① Toner replacement cover

Open this to replace the toner cartridge.

② Control Panel

Displays the device status and menus, and sets the functions.

["Control Panel" \(P.31\)](#)

③ Front lamp

Flashes when receiving data and while in power save.

④ Front cover

Open this to remove the image drum, waste toner box, and belt unit.

⑤ Power switch

- You can turn ON and OFF the power supply when the main power switch is ON.
- Cancels the OFF mode.

⑥ Tray 1/Paper cassette

This is the paper tray mounted as standard. Plenty of paper can be set at one time. Set the print surface face-down.

⑦ Face down stacker

The printed sheets are placed printed-side down and discharged.

⑧ Right side cover

Open this to replace the multi-purpose tray feed roller, and to clear paper jams.

⑨ Tray side cover

Open to clear paper jams from trays 1 to 5.

⑩ Carrying handles

Hold these at the same time as the carrying lever when carrying the device.

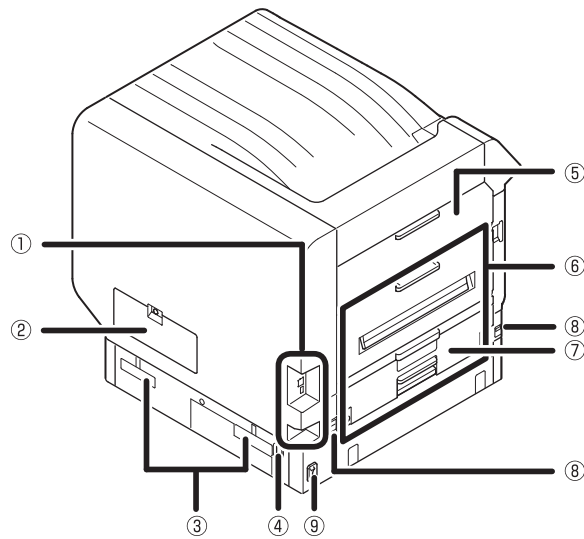
⑪ Carrying lever

When carrying the device, pull out this lever, and hold the carrying handles at the same time.

⑫ Opener

Open the right side cover.

Back/Left Side



① Interface

There are a LAN (network) interface connector and a USB interface connector. See “Interface” (P.30) for the interfaces.

② Access cover

Open this when mounting the optional built-in HDD.

③ Carrying handles

Hold these at the same time as the carrying lever when carrying the device.

④ Power connector

Connect the enclosed power cable here.

⑤ Left side cover

Open this to clear paper jams.

⑥ Exit unit

Open this when replacing the fixing unit or transfer roller unit, or to clear paper jams.

⑦ Duplex print unit

Implements duplex printing.

⑧ Carrying lever

When carrying the device, pull out this lever, and hold the carrying handles at the same time.

⑨ Main power switch

Turns ON and OFF the device main power supply.

1

Before use

2

Setting Up

3

Printing

4

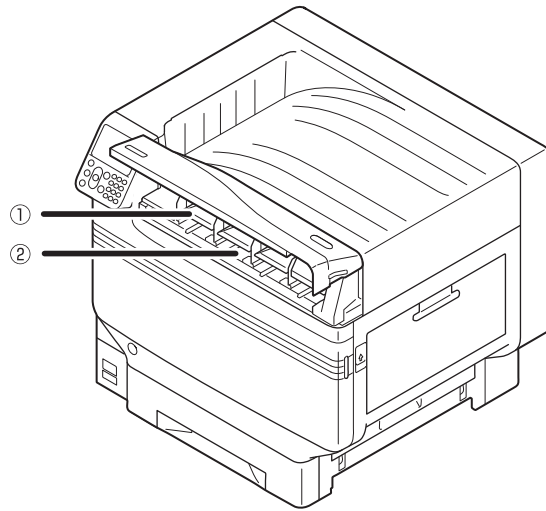
Basic Device Operations

Appendix

Index

Printer Interior

Front Interior

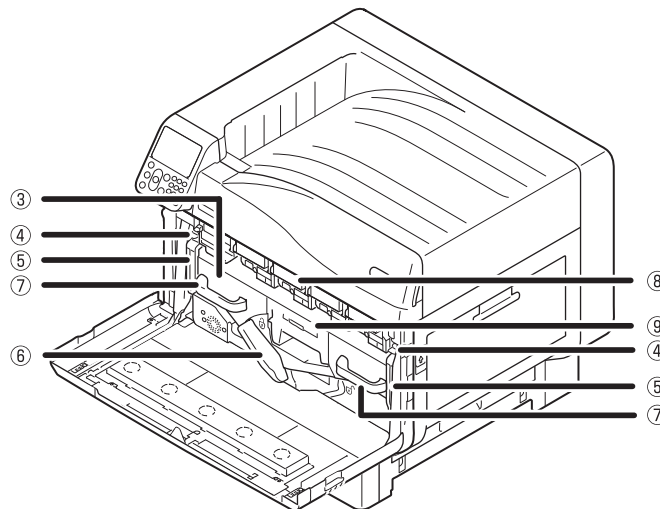


① Toner cartridge

- The remaining toner quantity is normally displayed when "Display remaining toner quantity" has been set using the control panel standby screen.
- The toner cartridge is a consumable.

② Slot

Set the toner cartridge here.
["Mounting Consumables" \(P.46\)](#)



③ Belt unit

This device copies the toner to the paper.
 The belt unit is a replaceable maintenance part.

④ Lock lever knob

Secures the belt unit.

⑤ Belt unit lock lever

Secures the belt unit.

⑥ Belt unit lever

Secures the belt unit.

⑦ Handle

Hold this handle when removing the belt unit.

⑧ Image drum/Slot

- The image drum is set in the slot.
- The image drum is set inside the printer main unit before shipment from the factory.
- The image drum is a consumable.

⑨ Waste toner box

This box holds the waste toner.
 When the waste toner box is full, a message is displayed on the control panel. The waste toner box is a replaceable maintenance part.

1

Before use

2

Setting up

3

Printing

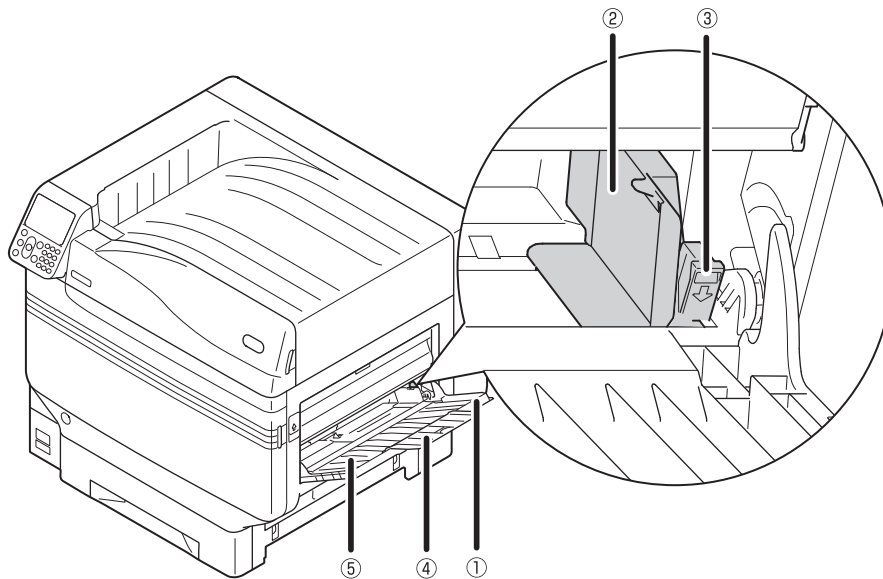
4

Basic Device Operations

Appendix

Index

Right Side Interior



① Multi-purpose tray/MP tray

You can print on various papers, including postcards and envelopes, etc. Further, use when printing to the topside of the paper that has been set. Set the paper size using the control panel when using as a regular tray.

② Paper guide

Stabilizes the paper by adjusting the paper guide to the width of the paper to be printed.

③ Set lever

Move the paper guide left and right while pulling the lever towards you when adjusting the paper guide to the width of the paper. The paper guide is secured when the set lever is returned to its original position.

④ Supplementary supporter

Maintains the paper when paper has been set in the multi-purpose tray.

⑤ Paper supporter

Sets the paper to be printed in the multi-purpose tray. Sets the print surface face-up.

1

Before use

2

Setting Up

3

Printing

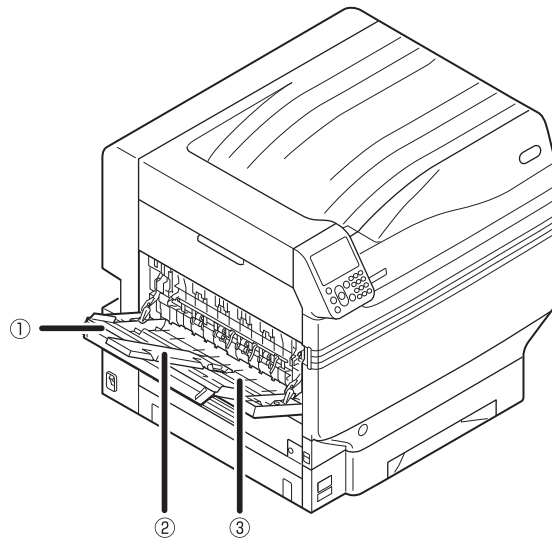
4

Basic Device Operations

Appendix

Index

Left Side Interior



① Face-up stacker

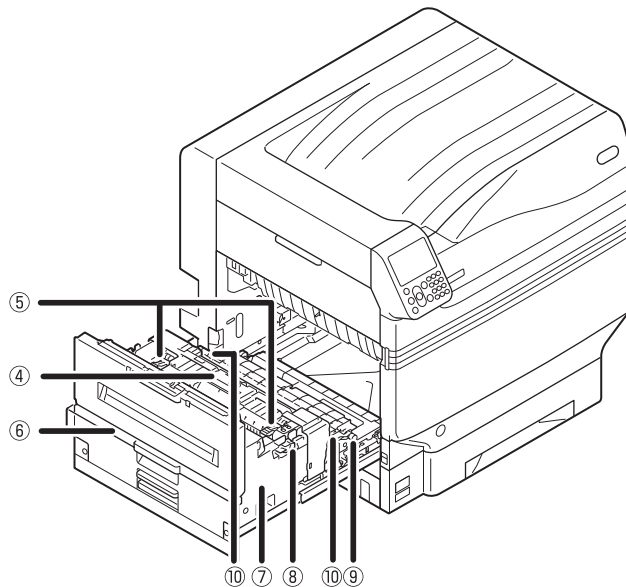
Open the stacker to set and eject the paper face-up.

② Supplementary supporter

Secures so that the ejected paper does not droop.

③ Paper supporter

Secures the paper ejected to the face-up stacker.



④ Fixing unit

This unit fixes the toner to the paper.
The fixing unit is a replaceable maintenance part.

⑤ Fixing unit jam cancellation lever

Pull up this lever when a paper jam occurs in the fixing unit.

⑥ Output unit knob

Pull this knob towards you, and pull out the output unit.

⑦ Output unit

The fixing unit, transfer roller unit, and duplex print unit are mounted to this unit.

⑧ Fixing unit securing lever

Secures the fixing unit.

⑨ Transfer roller unit

Transfers the toner to the paper.
The transfer roller unit is a replaceable maintenance part.

⑩ Transfer roller unit fixing lever

Secures the transfer roller unit.

Interface

1

Before use

2

Setting Up

3

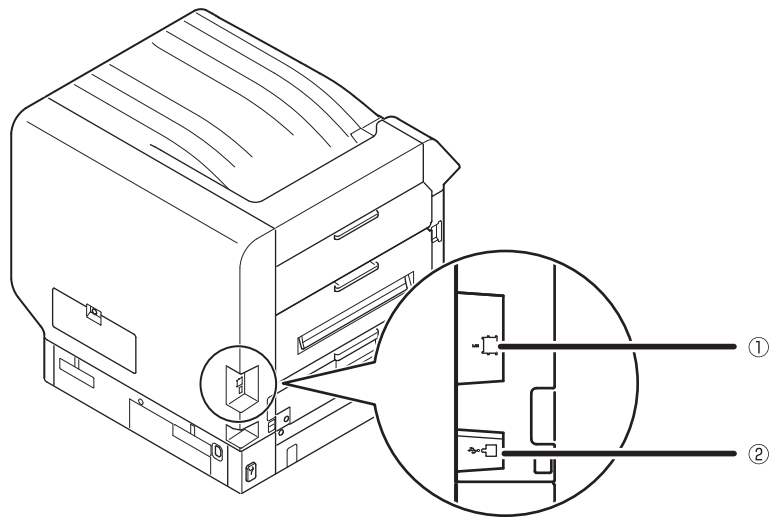
Printing

4

Basic Device Operations

Appendix

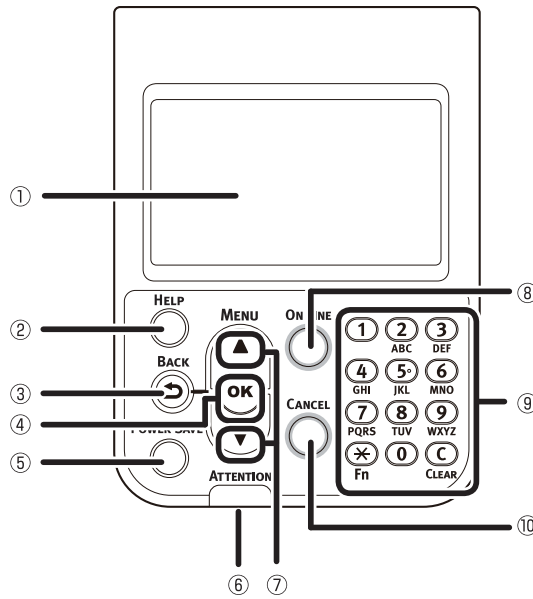
Index



① **LAN (network) interface connector**
Connects the LAN cable.

② **USB interface connector**
Connects the USB cable.

Control Panel



① Liquid crystal panel

- Displays the device status and menus.
- There are two types of standby screen: "Remaining toner quantity display" and "Tray information display".

② [HELP] button

Displays the help screen.
Lit orange when help messages can be referenced, such as explanations of the error that has occurred or the cancellation procedure.

③ [BACK] button

Returns to the previous page.

④ [OK] button (MENU button)

Determines the selected item and set values.

⑤ [POWER SAVE] button

- Turns ON and OFF power save mode.
- Cancels sleep mode.

⑥ ATTENTION lamp

Displays the device status.
Normally OFF.
Lit or flashes orange if an error occurs.

⑦ Scroll button ▲▼ (MENU button)

- Displays the menu screen to select an item, and then scrolls up (or down) one page.
- Can be used to enter numbers in the numerical input screen.

⑧ [ON LINE] button

- Switches between online and offline.
- Lit green when online, and OFF when offline.

⑨ Ten-key pad (1 to 0, *, C)

- Use to enter numerical values and passwords.
- Press the [*] ([Fn]) key in the standby screen to display the "function number input" screen, and to enter menu items directly.

⑩ [CANCEL] button

Use to cancel a print, or to cancel the settings.

1

Before use

2

Setting up

3

Printing

4

Basic Device Operations

Appendix

Index

Main Control Panel Features

The control panel can be used to check the device status and implement various device functions.

The toner cartridge can be replaced while viewing the liquid crystal display on the control panel. Further, you can also perform operations while checking the messages displayed on the liquid crystal panel if paper jams or device malfunctions occur.

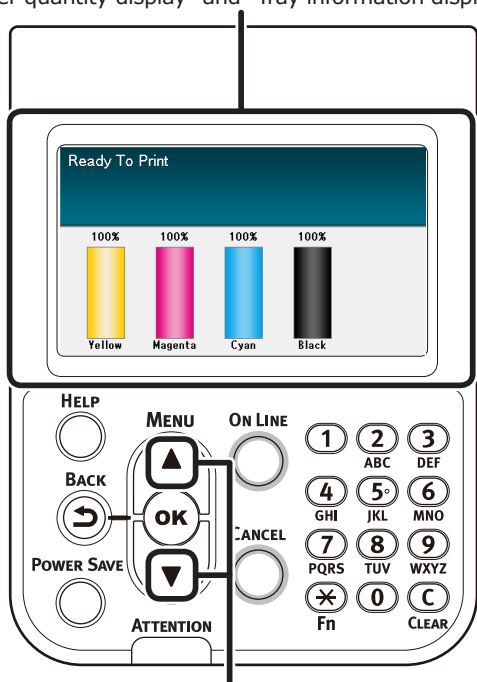
Reference

- See the control panel menus table "Table of control panel menu items" (P.125).

Control Panel Appearance

This section explains the main control panel operations and control panel appearance.

There are two types of standby screen: "Remaining toner quantity display" and "Tray information display".

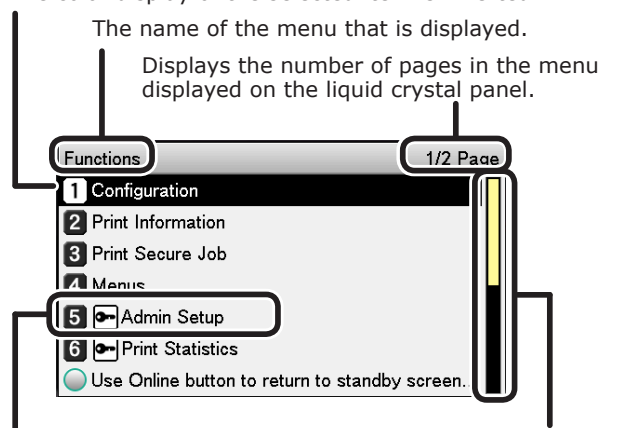


Press the scroll button ▲ or the ▼ to display the "Functions setup" menu screen as shown on the right.

The color display of the selected item is inverted.

The name of the menu that is displayed.

Displays the number of pages in the menu displayed on the liquid crystal panel.



If there is a scroll bar, there are items that are not displayed in the liquid crystal panel. Press the scroll button ▲ or ▼ to display them.

A password must be entered to display the [Admin Setup]. Enter the administrator password (factory setting is "aaaaaa") in the password input screen.

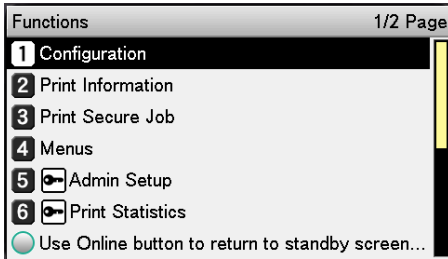
- If there is a selection menu at the next level or set values for an item, select the item and press the [OK] button to display the next screen.
- If a set value is displayed, press the [OK] button to confirm the value that has been set. (✓ is displayed to the left of the value.)

■ Standby Screen

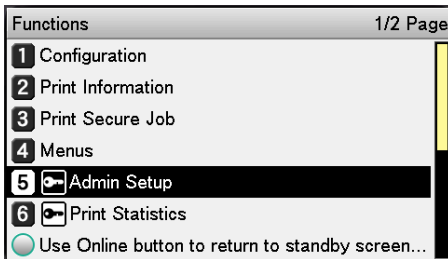
There are two types: "Remaining toner quantity display" and "Tray information display".

Use the following procedure to switch the standby screens.

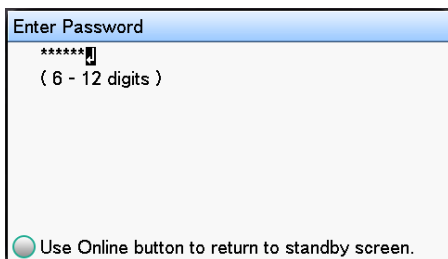
- 1 Press either the scroll button ▲ or ▼ on the control panel to display the "Functions" screen.



- 2 Press the scroll button ▼ several times to select the [Admin Setup], and then press the [OK] button.

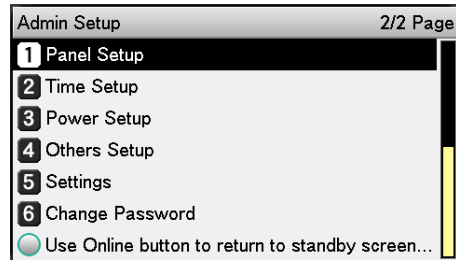


- 3 Use the 10-key pad to enter the administrator password. The default factory-set password is "aaaaaa". Press the [OK] button after entering each individual character.



- 4 Press the [OK] button.

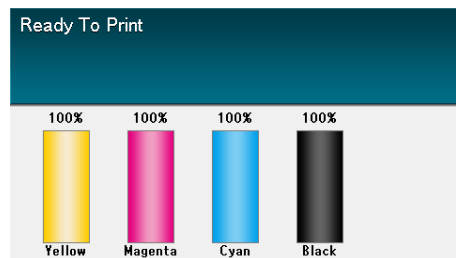
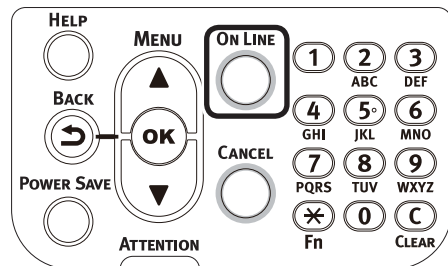
- 5 Press the scroll button ▼ several times to select [Panel Setup], and then press the [OK] button.



- 6 Press the scroll button ▼ several times to select the [Idle Display], and then press the [OK] button.

- 7 To display the "remaining toner quantity" in the standby screen, select [Toner Gauge], and then press the [OK] button. To display the "tray information", select [Paper Size], and then press the [OK] button.

- 8 Press the [ON LINE] button to return to the standby screen.



- 1 Before use
- 2 Setting up
- 3 Printing
- 4 Basic Device Operations
- Appendix
- Index

■ Error Screen

If a printer error occurs, the maintenance lamp will either turn ON or flash, and a message will be displayed in the liquid crystal panel.

Depending on the error, the error countermeasure and animations may be displayed in the liquid crystal panel in addition to the message.

Reference

- "Troubleshooting/Daily Maintenance Manual"

Press the control panel buttons in the error screen to set the device to the following statuses.

[POWER SAVE] button:

The printer will enter power save mode. Press the [POWER SAVE] button when the device is in power save mode to return to the standby screen.

[HELP] button:

Press the [HELP] button when it is lit to display the relevant help message for the error that is currently displayed.

[OK] Button:

In the case of errors for which the error message vanishes when the [OK] button is pressed, the printer will return to the standby screen.

[ON LINE] button:

In the case of errors for which the error message vanishes when the [ON LINE] button is pressed, the printer will return to the standby screen.

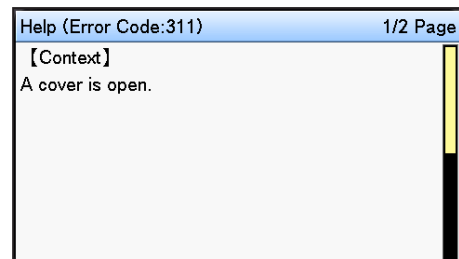
[CANCEL] button:

The following errors can be cancelled.

- There is no paper in the multi-purpose tray
- Change the paper in [Tray name]
- There is no paper in [Tray name]
- Check the paper in [Tray name]
- Paper size error
- Change the multi-purpose tray paper
- Insufficient print data memory
- Toner empty
- Multiple sheets of paper have been fed
- The [tray name] cassette is missing
- Feed print job manually

■ Help Screen

Press the [HELP] button to display the help screen. Further, press the [HELP] button when it is lit to display the relevant help message for the error that is currently displayed.



Press the ▲ scroll button displayed in the help screen to scroll to the previous page. Press the ▼ scroll button to scroll to the next page.

To close the help screen, press the [HELP] button again.

Memo

- Press and hold either the ▲ scroll button or ▼ to scroll through the pages at approx. 0.5-second intervals.
- The help screen can also be closed by pressing the [BACK] button, [ON LINE] button, or [CANCEL] button.

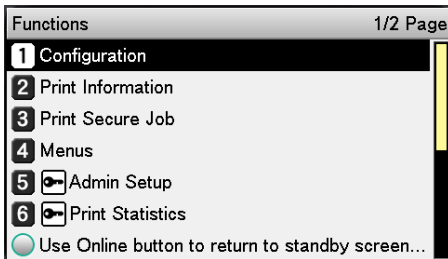
Adjusting the Control Panel Brightness

Use the following procedure to adjust the brightness of the liquid crystal panel.

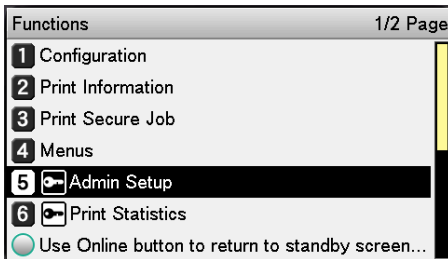


- The brightness (backlight) of the liquid crystal panel can be set individually for during control panel operations and when in power save mode.

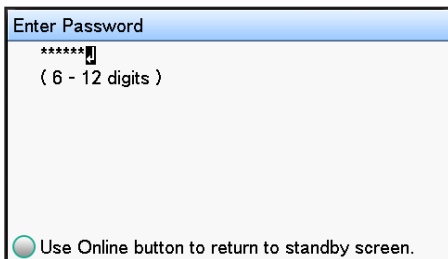
1 Press either the scroll button ▲ or ▼ on the control panel to display the "Functions" screen.



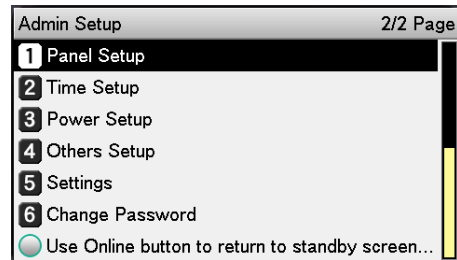
2 Press the scroll button ▼ several times to select the [Admin Setup], and then press the [OK] button.



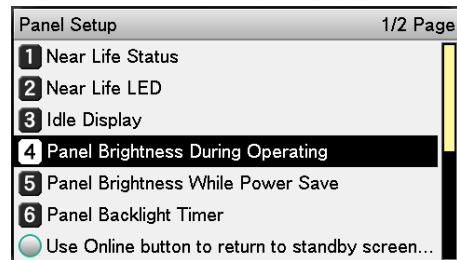
3 Use the 10-key pad to enter the administrator password. The default factory-set password is "aaaaaa". Press the [OK] button after entering each individual character.



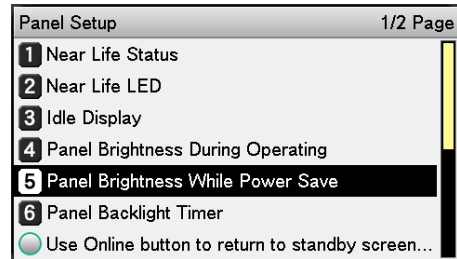
4 Select [Panel Setup], and press the [OK] button.



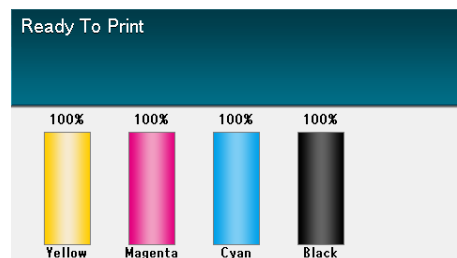
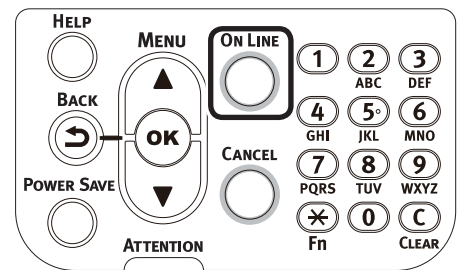
5 When adjusting the brightness for during control panel operations, select [Panel Brightness During Operating], and press the [OK] button.



When adjusting the brightness for when in power save, select [Panel Brightness While Power Save], and press the [OK] button.



6 Press the [ON LINE] button to return to the standby screen.



1 Before use

2 Setup

3 Printing

4 Basic Device Operations

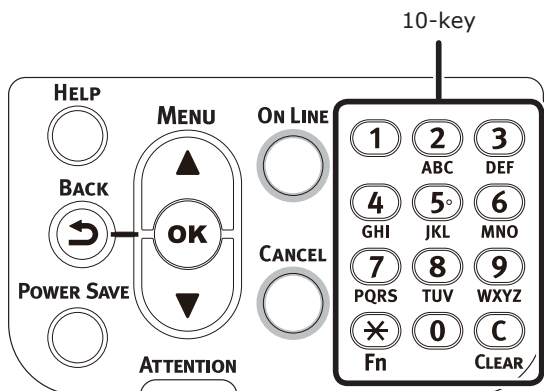
Appendix

Index

Using the 10-Key Pad

Use to input alphanumeric characters.

The characters that can be entered when each key is pressed, and the toggling of the input characters, are described below.



- [1] 1
- [2] a → b → c → 2 → a
- [3] d → e → f → 3 → d
- [4] g → h → i → 4 → g
- [5] j → k → l → 5 → j
- [6] m → n → o → 6 → m
- [7] p → q → r → s → 7 → p
- [8] t → u → v → 8 → t
- [9] w → x → y → z → 9 → w
- [0] 0

The following two key functions are as described below.

[Fn] key:

Use to display the function number shortcut. (Enabled when the standby screen is displayed.)

[CLEAR] key:

Conceals each character individually when entering a password.

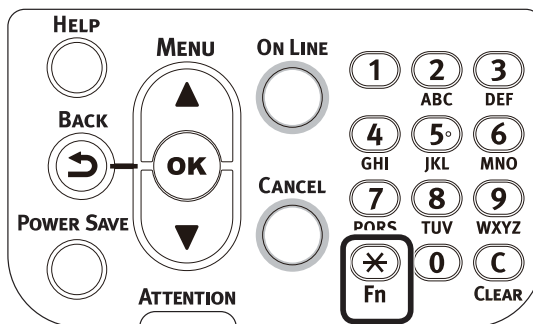


- If entering "abc", press the buttons in the following order: [2]→[OK] button→[2]→[2]→[OK] button→[2]→[2]→[2]→[OK]

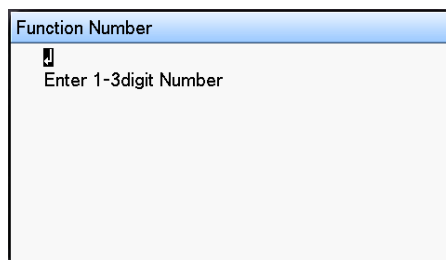
Function Number Input Screen

When "Ready To Print" is displayed in the standby screen, press the [Fn] key and then press the desired number to display the relevant menu item.

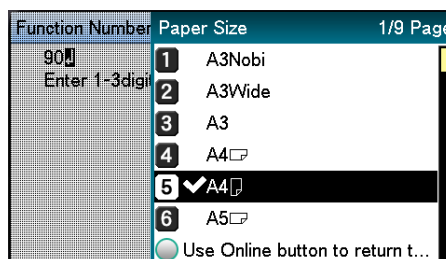
1 Press the [Fn] key.



2 The function number input screen will be displayed, so use the 10-key pad to enter the (3-digit) menu number to be displayed, and then press the [OK] button.



3 The menu will be displayed, so check or change the set values.



Function Numbers Table

Function No.	Function No. Menu Item
1	Print Secure Job (Encrypted Job)
2	Print Secure Job (Stored Job)
10	Paper Size (Tray 1)
11	X Dimension (Tray 1)
12	Y Dimension (Tray 1)
13	Media Type (Tray 1)
14	Media Weight (Tray 1)
15	A3Nobi Paper (Tray 1)
16	Legal14 Paper (Tray 1)
17	A5LEF/A6/Hagaki Paper (Tray 1)
18	A5SEF/Oufuku Hagaki Paper (Tray 1)
19	Other Size (Tray 1)
20	Paper Size (Tray 2)
21	X Dimension (Tray 2)
22	Y Dimension (Tray 2)
23	Media Type (Tray 2)
24	Media Weight (Tray 2)
25	A3Nobi Paper (Tray 2)
26	Legal14 Paper (Tray 2)
27	A5LEF/A6/Hagaki Paper (Tray 2)
28	A5SEF/Oufuku Hagaki Paper (Tray 2)
29	Other Size (Tray 2)
30	Paper Size (Tray 3)
31	X Dimension (Tray 3)
32	Y Dimension (Tray 3)
33	Media Type (Tray 3)
34	Media Weight (Tray 3)
35	A3Nobi Paper (Tray 3)
36	Legal14 Paper (Tray 3)
37	A5LEF/A6/Hagaki Paper (Tray 3)
38	A5SEF/Oufuku Hagaki Paper (Tray 3)
39	Other Size (Tray 3)
40	Paper Size (Tray 4)
41	X Dimension (Tray 4)
42	Y Dimension (Tray 4)
43	Media Type (Tray 4)
44	Media Weight (Tray 4)
45	A3Nobi Paper (Tray 4)
46	Legal14 Paper (Tray 4)
47	A5LEF/A6/Hagaki Paper (Tray 4)
48	A5SEF/Oufuku Hagaki Paper (Tray 4)
49	Other Size (Tray 4)
50	Paper Size (Tray 5)
51	X Dimension (Tray 5)
52	Y Dimension (Tray 5)
53	Media Type (Tray 5)

Function No.	Function No. Menu Item
54	Media Weight (Tray 5)
55	A3Nobi Paper (Tray 5)
56	Legal14 Paper (Tray 5)
57	A5LEF/A6/Hagaki Paper (Tray 5)
58	A5SEF/Oufuku Hagaki Paper (Tray 5)
59	Other Size (Tray 5)
80	Paper Feed Tray
90	Paper Size (MPTray)
91	X Dimension (MPTray)
92	Y Dimension (MPTray)
93	Media Type (MPTray)
94	Media Weight (MPTray)
95	Tray Usage (MPTray)
100	Print Information (Configuration)
101	Print Information (Network)
102	Print Information (Usage Report)
103	Print Information (Error Log)
200	Power Save Time
201	Sleep Time
202	Auto Power Off Time
210	Error Report
220	Print Position Adjust (MPTray)
221	Print Position Adjust (Tray 1)
222	Print Position Adjust (Tray 2)
223	Print Position Adjust (Tray 3)
224	Print Position Adjust (Tray 4)
225	Print Position Adjust (Tray 5)
230	Paper Black Setting
231	Paper Color Setting
232	Trans. Black Setting
233	Trans. Color Setting
234	SMR Setting
235	BG Setting
236	Drum Cleaning
237	Hex Dump
238	Transfer Roller Cleaning
300	Adjust Density
301	Adjust Registration
302	Print Color Tuning Pattern
310	Cyan Density
311	Magenta Density
312	Yellow Density
313	Black Density
314	White Density
314	Clear Density

1

Before use

2

Setting up

3

Printing

4

Basic Device Operations

Appendix

Index

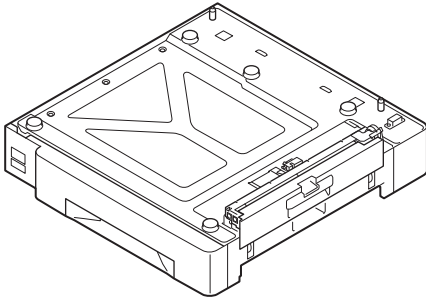
● Using the Device to its Fullest Extent

1
Before use

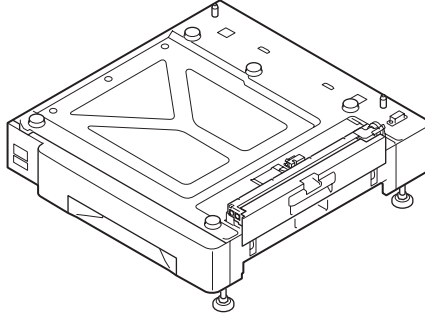
Options

The following options are supplied for the device.

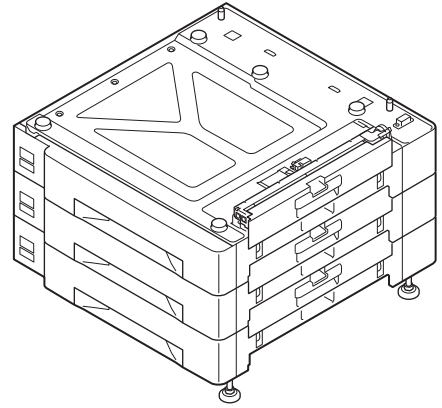
■ Expansion tray units (trays 2/3/4/5)



Expansion tray unit
(Expandable up to 2 levels)
(Model: TRY-C3G1)



Expansion tray unit with casters
(Model: TRY-C3G2)



Large-capacity expansion tray unit
(3 trays in one, with casters)
(Model: TRY-C3G3)

2
Setting Up

3
Printing

4
Basic Device Operations

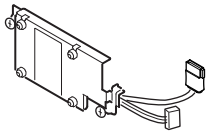
Appendix

Index

! Note

- If expanding from level 3 upwards, use a large-capacity expansion tray unit.

■ Built-in HDD

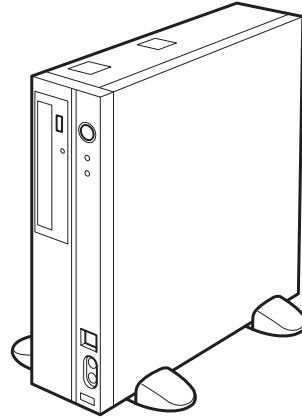


(Model: HDD-C3G)

Color management server

Recommended for users who want greater color management response and advanced Spot Color adjustment.

■ Fiery® XF Server Option



Fiery® XF Server Option
(Model: SVR-C3G)

1

Before use

2

Setting Up

3

Printing

4

Basic Device Operations

Appendix

Index

■ Memo

1

Before use

2

Setting Up

3

Printing

4

Basic Device Operations

Appendix

Index

2. Setting Up

This chapter explains the methods for setting up the device, and for connecting the device to a PC and installing the printer drivers.

Note

- Customers who have purchased C941/ES9541dn should also see the "Separate Volume Spot Color Guide".

Reference

- See the "Fiery XF Sever Quick Start Guide" for the methods of setting up the color management server for models C931/C941/ES9431dn/ES9541dn.

● Installing the Device

For safe and pleasant use of the device, install in a location that satisfied the "installation environment" and "installation space" described in the "installation conditions". Further, the conditions also describe the installation precautions. Make sure to read them before use.

Installation Conditions

Consider the following environmental conditions before selecting the device installation location.

■ Installation Environment

Use in a location where temperature and humidity are within the following ranges.

Ambient temperature:	10°C to 35°C
Ambient humidity:	10% to 85%RH (relative humidity)
Max. wet-bulb temperature:	25°C

Memo

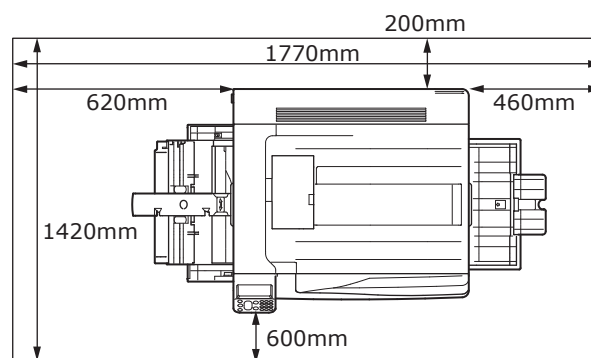
- Make sure there is no condensation.
- If installing in a location where the ambient humidity is 30% or less, use a humidifier or static prevention mat.

■ Installation Space

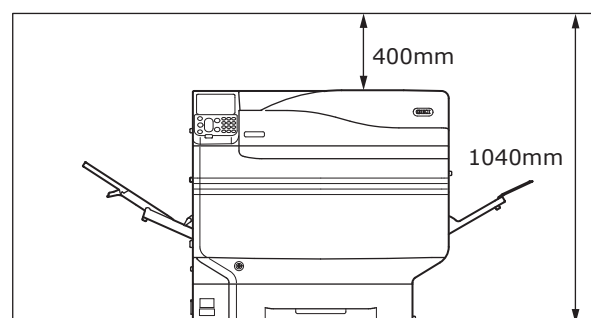
Make sure the area around the device has the following space, and select a location that can support the weight of the device before installing. (The main unit weights are as follows: C911/C931/ES9411dn/ES9431dn: Approx. 97kg*; C941/ES9541dn: Approx. 117kg.)

*: Includes consumables such as image drums and toner cartridges, etc.

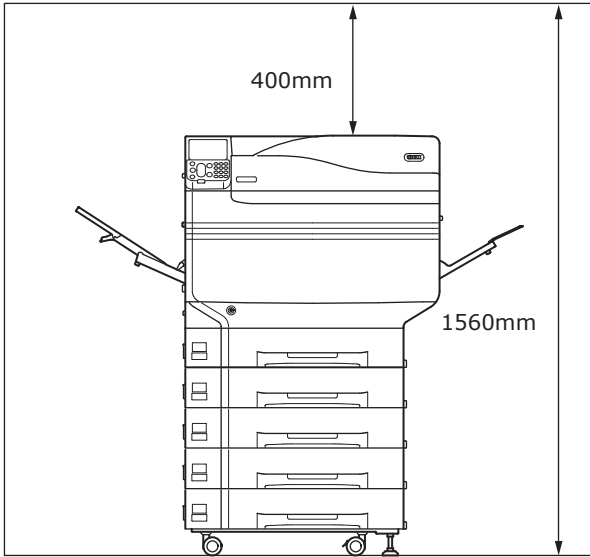
● Plane view



● Front view



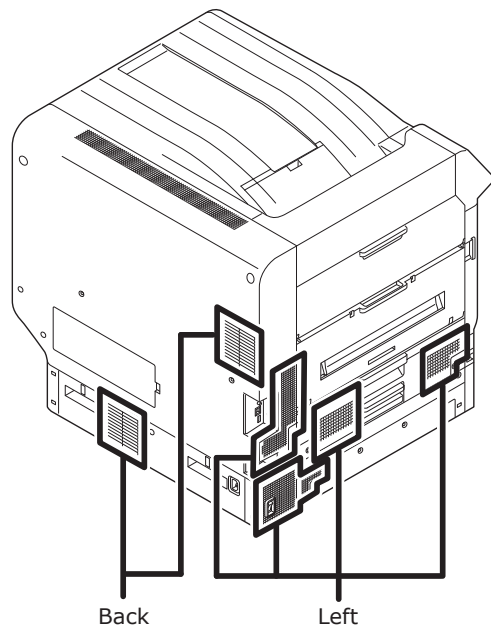
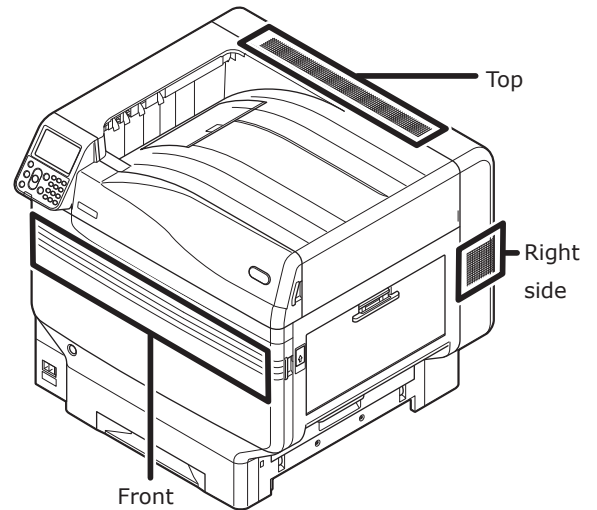
● Front view (with expansion tray mounted)



■ Installation Precautions

⚠ WARNING

- Do not install close to high-temperature locations or naked flames.
- Do not install in locations where chemical reactions occur (e.g., laboratories).
- Do not install close to combustible solutions such as alcohol or thinners, etc.
- Do not install within reach of small children.
- Do not install in an unstable location (e.g., unsteady tables or sloping locations, etc.)
- Do not install in humid or dusty locations, or in locations in direct sunlight.
- Do not install in environments with salt air or corrosive gas.
- Do not install in locations with major vibration.
- Do not install in locations where the device air holes are blocked. Use the following illustrations to check the air hole position.



1

Before use

2

Setting Up

3

Printing

4

Basic Device Operations

Appendix

Index

 **CAUTION**

- Do not install directly on shaggy rugs or carpets.
- Do not install in locations with poor air circulation or ventilation such as sealed rooms, etc.
- Make sure of ventilation if using continuously for long hours in a small room.
- Install away from strong magnetic fields and sources of noise.
- Install away from monitors and TVs.
- When moving the device, hold the carrying lever and carrying handles.
- The main device weight is approx. 97kg for models C911/C931/ES9411dn/ES9431dn and approx. 117kg for model C941/ES9541dn. When lifting or moving the device, make sure to use at least 4 people.
- Make sure of the ventilation if printing large quantities or using the device continuously for long hours.

*: Includes consumables such as image drums and toner cartridges, etc.

1

Before use

2

Setting Up

3

Printing

4

Basic Device Operations

Appendix

Index

Installation Procedure

Work according to the relevant procedures and the customer installation conditions. If not mounting any options, skip the reading of the procedures described as "Optional".

1	Opening the Package and Installation	
2	Mounting Consumables (P.46)	
3	Mounting the Expansion Tray (Optional) (P.50)	(Optional)
4	Mounting the Built-in HDD (Optional) (P.54)	(Optional)
5	Connecting Using LAN Cable (P.63)	
6	Connecting Using USB Cable (P.64)	
7	Installing and Connecting the Color Management Server ("Server Installation Guide") *: Not applicable to C911/ES9411dn.	(Sold separately)
8	Connecting the Power Cable and Ground Wire (P.57)	
9	Connecting to the PC (P.61)	
10	Adding Options (P.82)	(Optional)
11	Printing from Trays (P.94) Printing from the Multi-Purpose Tray (P.101)	

Opening the Package and Installation

This section explains the procedure from opening the package to removing and installing the product.

Opening the Package and Moving the Device

Make sure to install in a sufficiently robust location that can support the weight of the device and its options. Do not install in unstable locations such as on unsteady tables or slanted locations, or in locations with strong vibrations. Doing so risks causing injury due to the device falling or toppling.



- For device installation locations, see "Installation Conditions" (P.41).

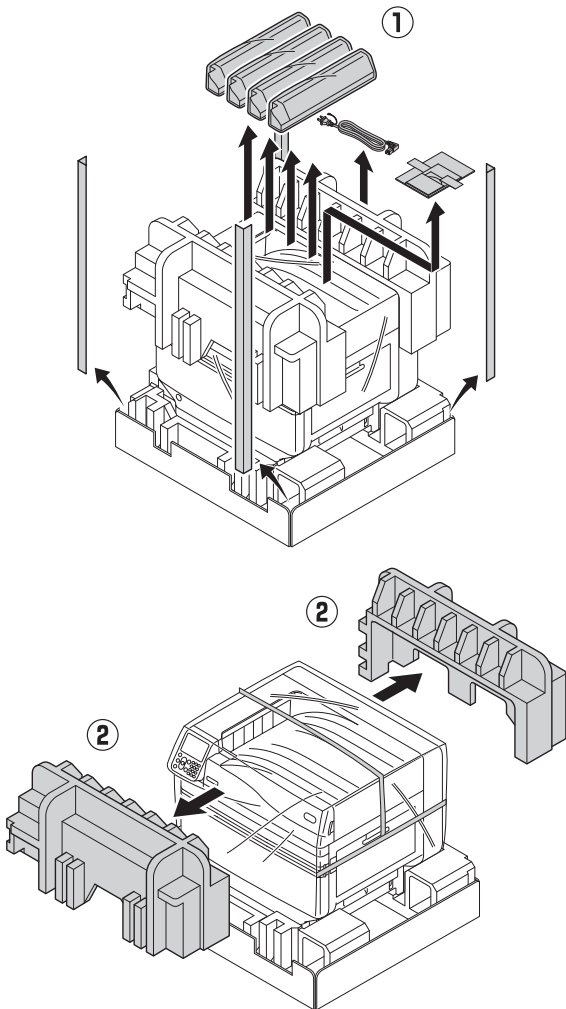
	CAUTION There is a risk of injury.	
<ul style="list-style-type: none"> The weight of the device is approx. 97kg for models C911/C931/ES9411dn/ES9431dn, and approx. 117kg for model C941/ES9411dn/ES9431dn/ES9541dn, so make sure to use at least 4 people to lift. 		

*: Includes consumables such as image drums and toner cartridges, etc.

The main unit weights are as described below.

	With the toner cartridge and image drum mounted	With the toner cartridge and image drum removed
C911/ES9411dn	Approx. 97kg	Approx. 82kg
C931/ES9431dn		
C941/ES9541dn	Approx. 117kg	Approx. 91kg

- 1 Open the package, and remove the device accessories (①), and enclosed manual, protective equipment, and shock-absorbing material (②).



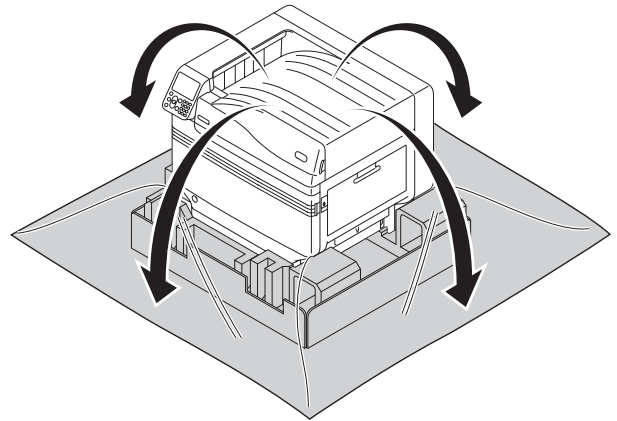
! Note

- The packing and protective equipment are used when shipping the device, so store them carefully.

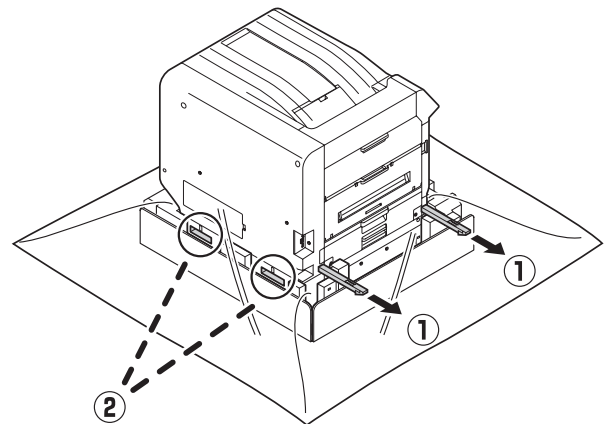
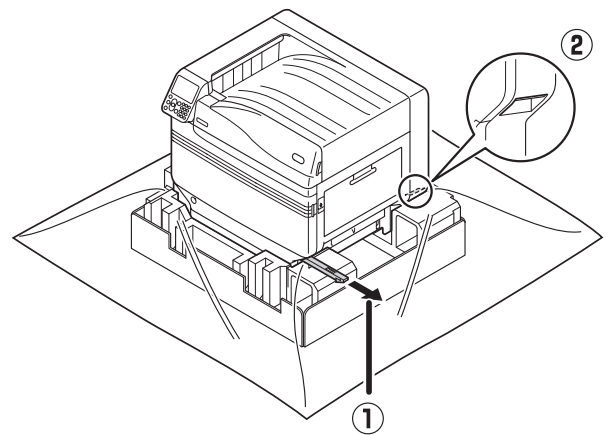
- 2 Remove the cover bag enclosing the main printer unit.

! Note

- Do not remove the tape securing the protective equipment, paper feed trays, and side covers before transporting the device to its installation location. The trays and covers opening during transport may cause unexpected injury.



- 3 Remove the three carrying levers at the bottom of the printer (①), and check the three locations of the carrying handles (②).

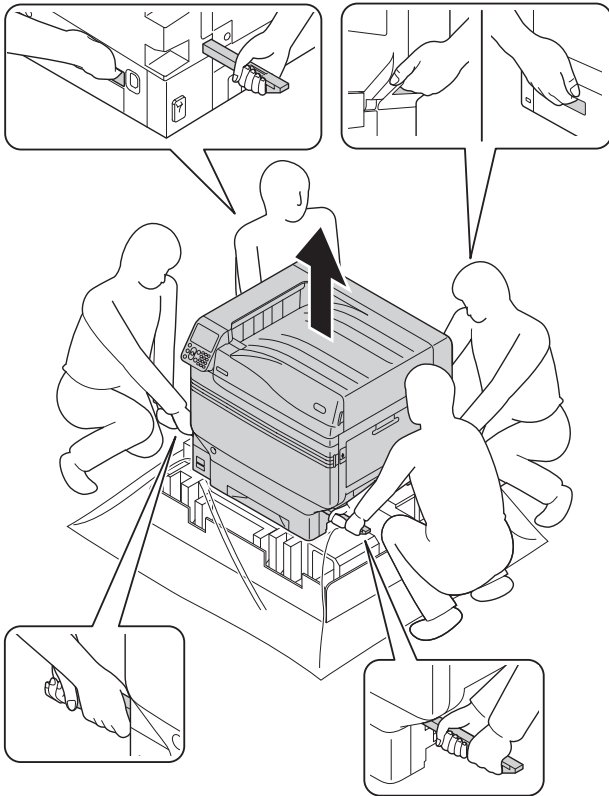


1	Before use
2	Setting Up
3	Printing
4	Basic Device Operations
	Appendix
	Index

4 Hold the carrying levers while grasping the carrying handles, and use at least 4 people to lift and carry simultaneously.

! Note

- Make sure not hold anywhere other than the carrying handles, such as the paper feed trays or side covers, etc. Doing so may cause injury due to dropping the device.
- Make sure to use 4 people min. for lifting and carrying so there is no back pain, etc.



5 Gently lower the device into its installation location.

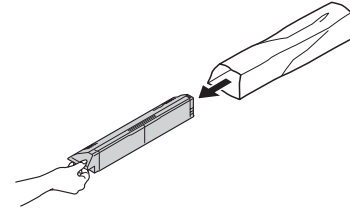
! Note

- Gently and carefully lower the device. There is a risk of crush injuries to hands, etc.

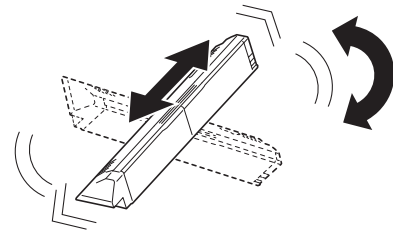
Mounting Consumables

■ Setting the Toner Cartridge

1 Remove the toner cartridge from its cover bag.



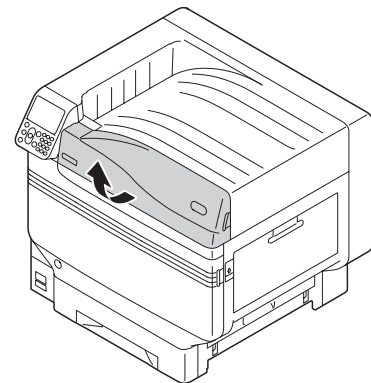
2 Shake the toner cartridge both horizontally and vertically.



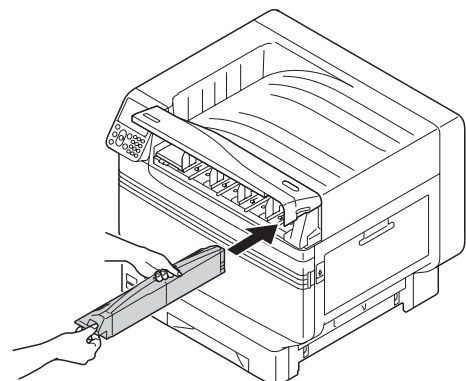
! Note

- Do not drop the toner cartridge or tap it on the floor. Doing so may damage the cartridge.

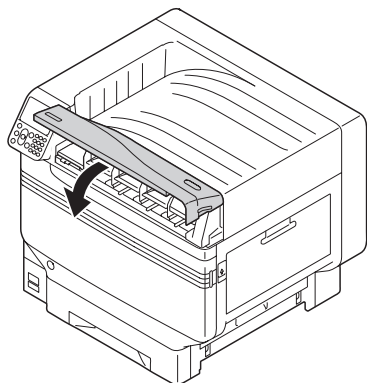
3 Open the toner replacement cover.



4 Check the position of the slot that is labelled with the same text and colors, and securely push in the toner cartridge all the way.



5 Close the toner replacement cover.



■ Remove the image drum stopper

Memo

- The image drum is set inside the device at the factory.

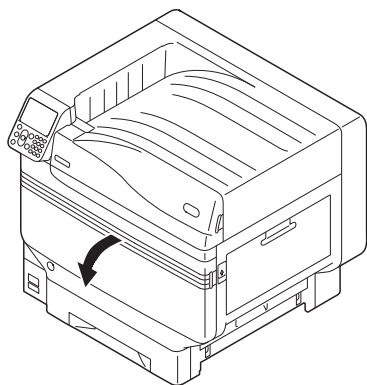
Reference

- For the methods of replacing the image drum, see "Troubleshooting/Daily Maintenance Manual", or the device help.

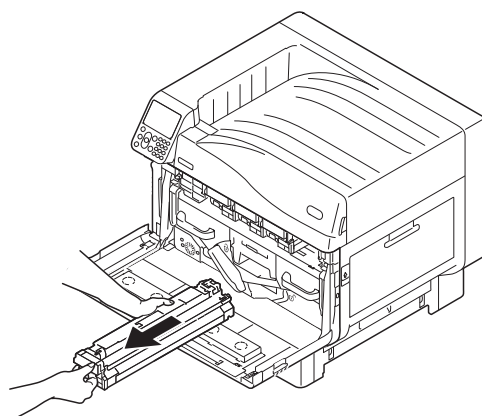
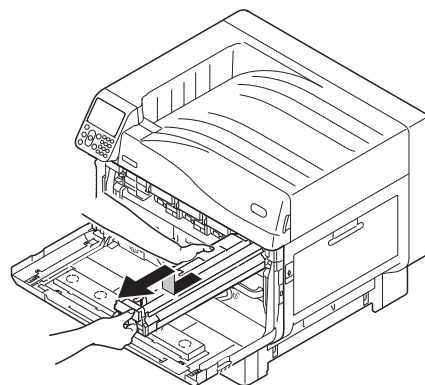
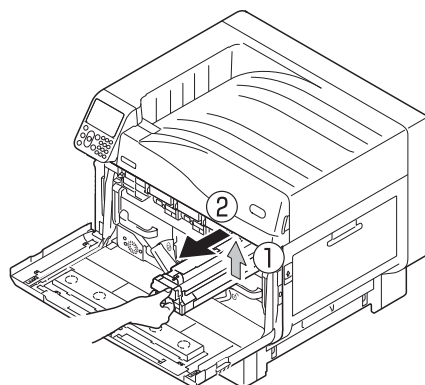
The stopper is mounted to the image drum in the device at the factory.

Make sure to use the following procedure to remove the stopper before use.

1 Open the front cover.

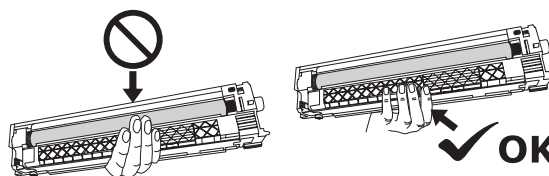


2 Gently raise the (blue) lever (①), and remove the image drum (②) while being careful not to touch the green cylinder with your hands.

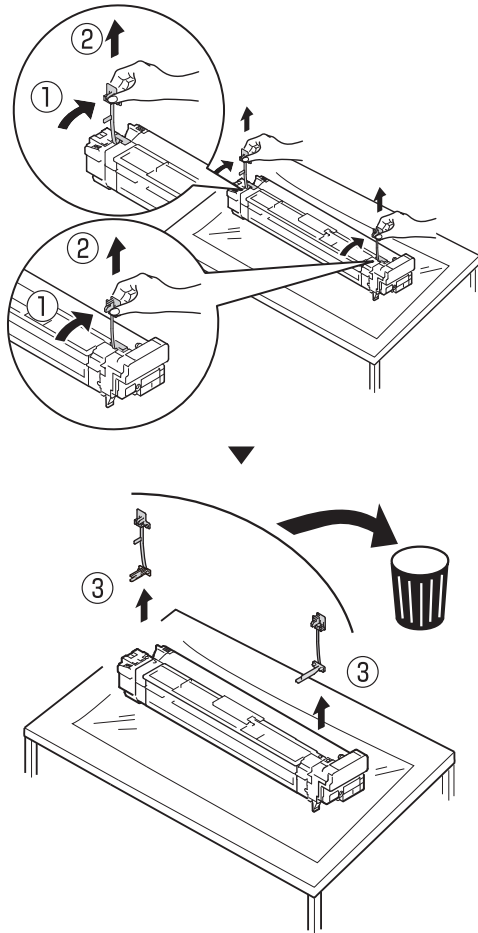


! Note

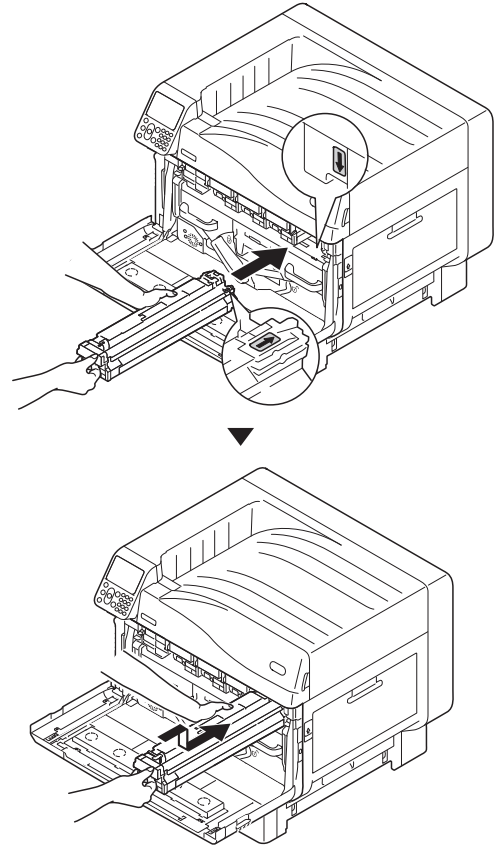
- Be careful not to touch or scratch the image drum (green cylinder).



3 Place the image drum that has been removed on a flat surface covered with paper, etc., and then orient the (orange) stopper in the direction of the arrows (①) (②) to remove (③).

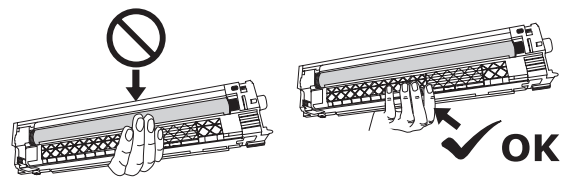


4 Align the (red) arrow labels on the image drum with the arrows on the device, and gently insert into the slot and push in firmly all the way while being careful not to touch the green cylinder with your hands.

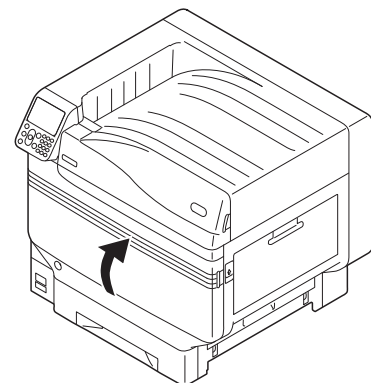


! Note

- Be careful not to touch or scratch the image drum (green cylinder).



5 Close the slot cover.



Reference

- Model C941/ES9541dn requires the Spot Color kit to be set. For details, see the "Separate Volume Spot Color Guide".

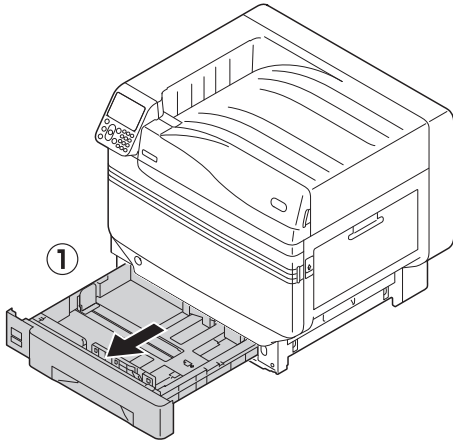
Setting Paper

This section explains how to set the paper in tray 1 or trays 2/3/4/5.

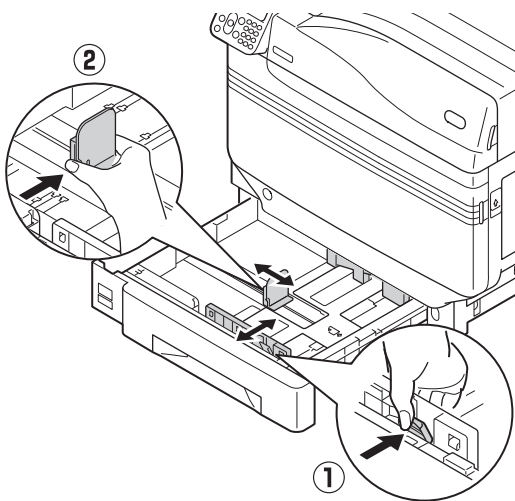
Memo

- In this section, setting paper in tray 1 is used as an example. Set trays 2 to 5 using the same procedure.

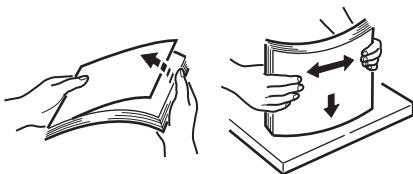
1 Pull out the tray 1 paper cassette (①).



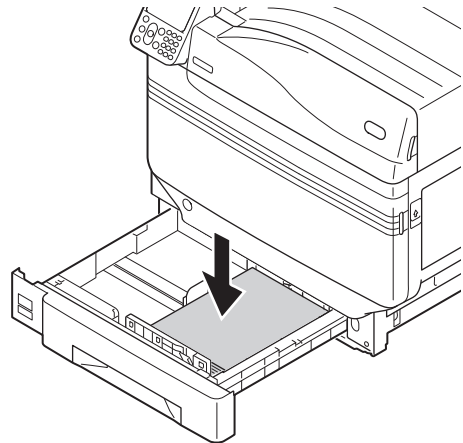
2 Slide the paper guide (①) and paper stopper (②) to align to the size of the paper that has been set.



3 Thoroughly sort the paper. Carefully align the edges of the paper horizontally.

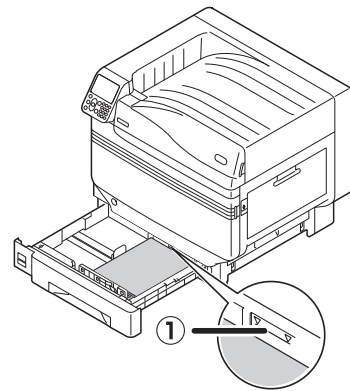


4 Set the paper with the print surface face-down.



! Note

- Do not exceed the "▽" symbol (①) on the paper guide when setting the paper.

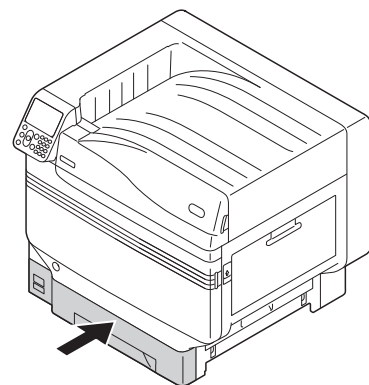


Memo

- Set so there is no gap between the paper guide or paper stopper and the paper.

5 Use the paper guide to secure the paper.

6 Return the paper cassette to the tray.



1

Before use

2

Setting Up

3

Printing

4

Basic Device Operations

Appendix

Index

Mounting the Expansion Unit (Optional)

Mount the (optional) expansion tray unit to increase the quantity and types of paper that can be set in the device.

The expansion tray unit has a large-capacity tray comprising the 1st and 3rd trays.

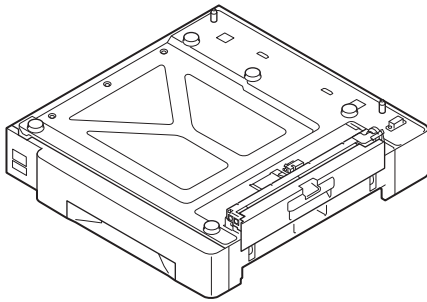
The device can expand to a maximum of 4 trays (5 including the standard tray).

The expansion trays can be mounted to either the main printer unit or the expansion tray unit.

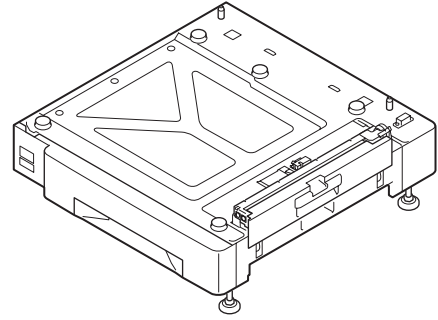
! Note

- If placed on a table, the expansion tray unit can be expanded to 2 trays (3 including the standard tray).
- If placed on a table, the large-capacity expansion tray unit cannot be used.

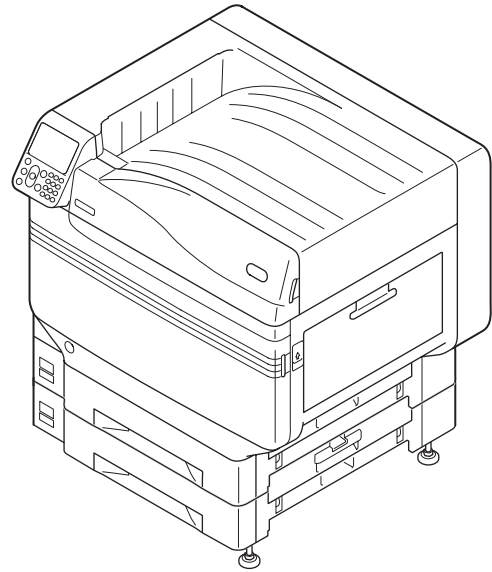
■ Expansion tray unit (model: TRY-C3G1)



■ Expansion tray unit with casters (model: TRY-C3G2)



□ Mounting the expansion tray unit with casters to the main printer unit



1

Before use

2

Setting Up

3

Printing

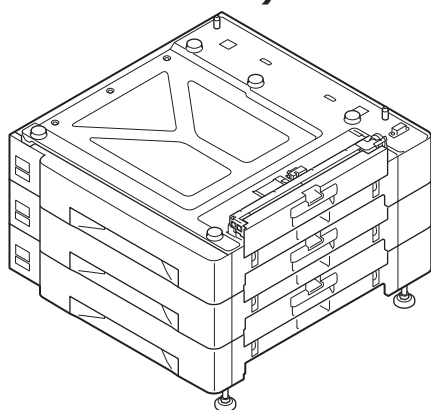
4

Basic Device Operations

Appendix

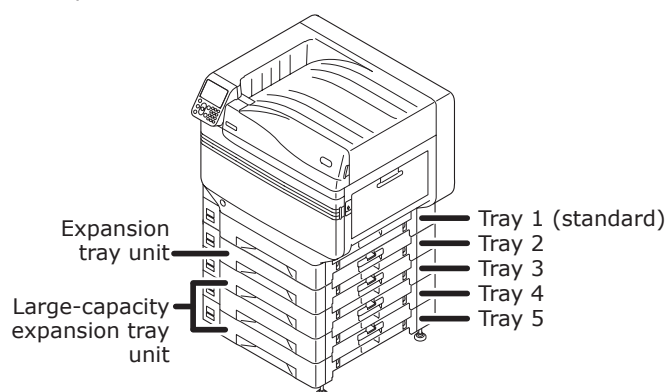
Index

■ Large-capacity expansion tray unit (model: TRY-C3G3)



Memo

- The expanded trays are called tray 2, tray 3, tray 4, and tray 5.



1 Remove the expansion tray unit from the package, and remove the buffering and protective materials.

2 Mount the main printer unit to the expansion tray unit.

Gently lift the main unit using 4 people min., and align the holes on the base (①) to the 2 protrusions (②) on the expansion tray unit.

Gently place on the other while matching the main unit to the position of the vertical lines on the back of the expansion tray unit.

⚠ CAUTION	There is a risk of injury.	⚠
<ul style="list-style-type: none"> • The weight of the device is approx. 97kg for models C911/C931/ES9411dn/ES9431dn, and approx. 117kg for model C941/ES9541dn, so make sure to use at least 4 people to lift. 		

*: Includes consumables such as image drums and toner cartridges, etc.

Note

- If the device is connected to a power supply, turn OFF the device power, and remove the cables. For how to turn OFF the power supply, see ["Turning OFF the Power Supply" \(P.58\)](#).

1

Before use

2

Setting Up

3

Printing

4

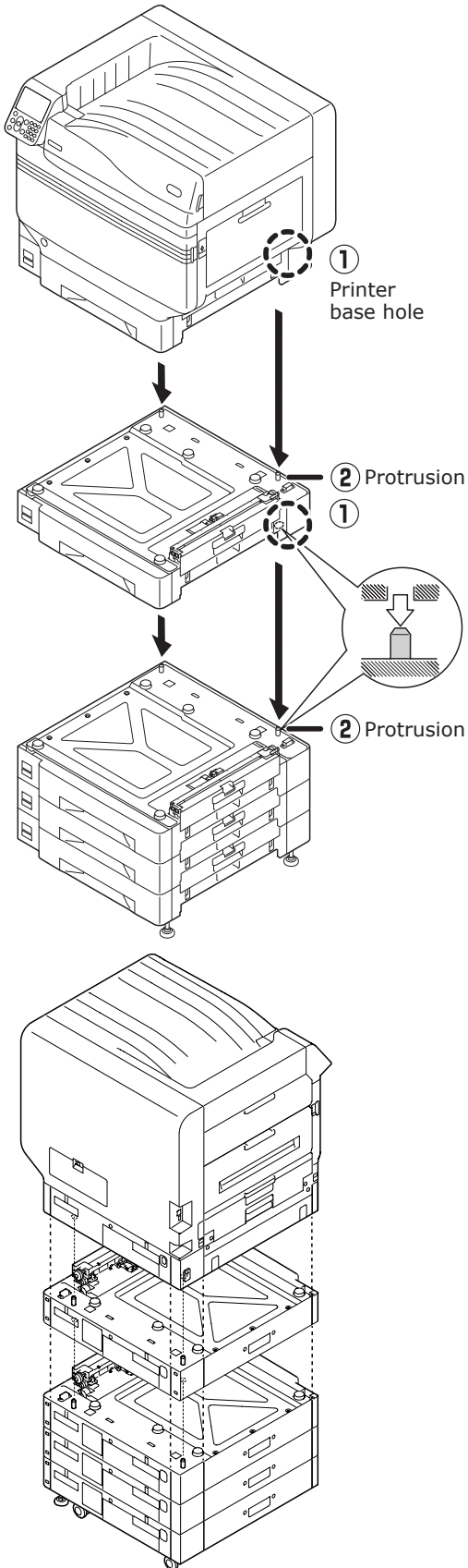
Basic Device Operations

Appendix

Index

Note

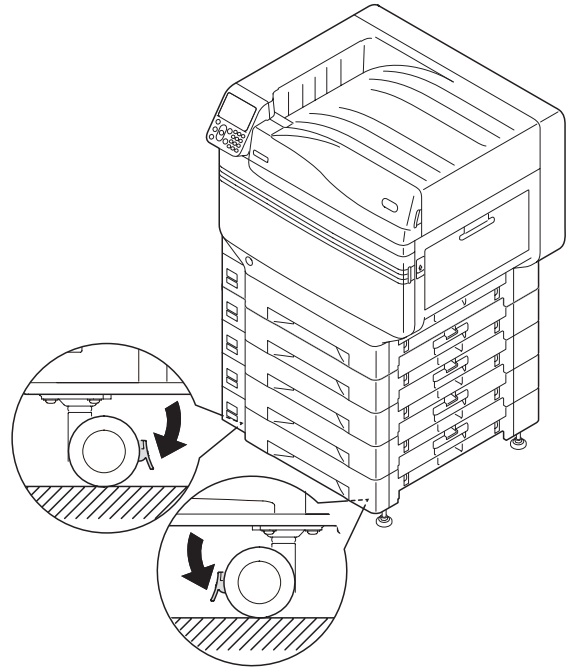
- If using the expansion tray unit and large-capacity expansion tray unit, first mount the expansion tray unit to the large-capacity expansion tray unit, and then mount the main printer unit to the expansion tray unit.



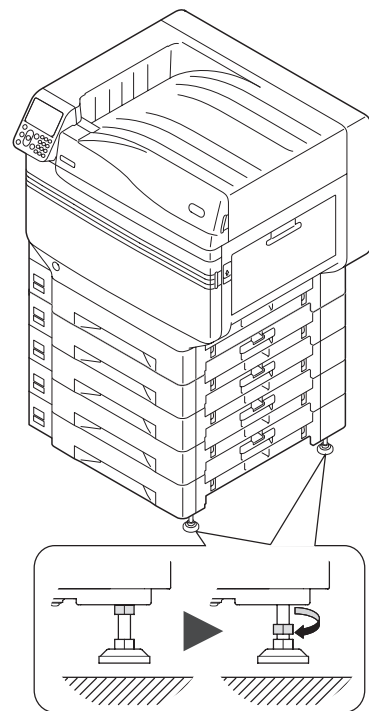
- For the expansion tray unit and large-capacity expansion

tray unit with casters, adjust the caster locks (x2) and feet (x2).

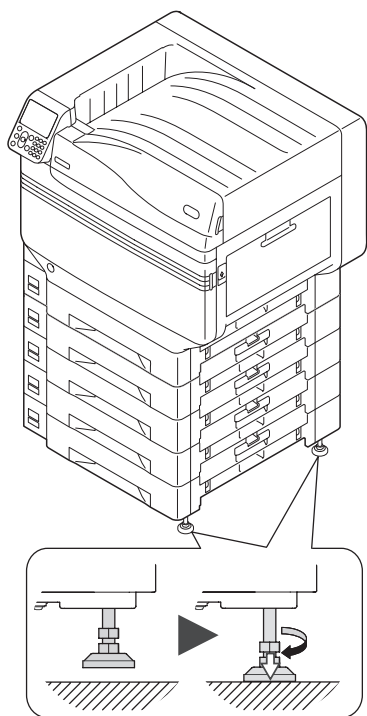
- 3 Push down the lock levers on the casters (x2) at the front of the device to lock the casters.



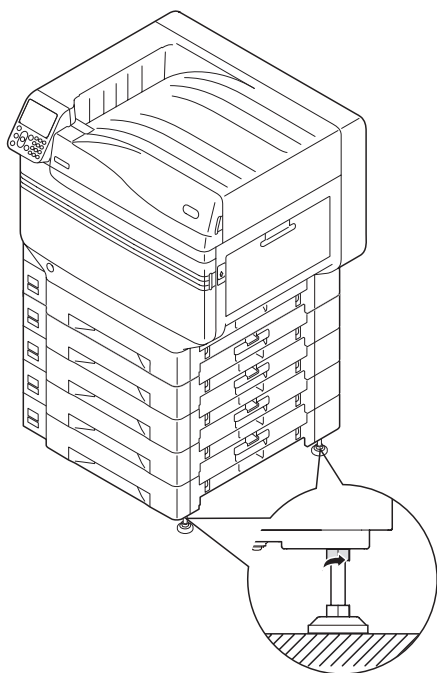
- 4 Loosen the nuts (x2) at the top of the feet on the right of the device.



- 5** Rotate the nuts and bolts at the bottom of each foot to lower the feet.



- 6** When each foot has reached the ground, tighten the nuts at the top to secure the tray unit.



! Note

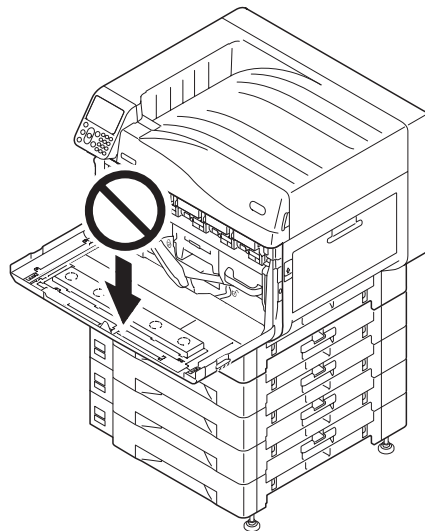
- When moving the device, rotate and thoroughly lift the screws on the feet of the large-capacity expansion tray unit, and move while remote from the ground.

Memo

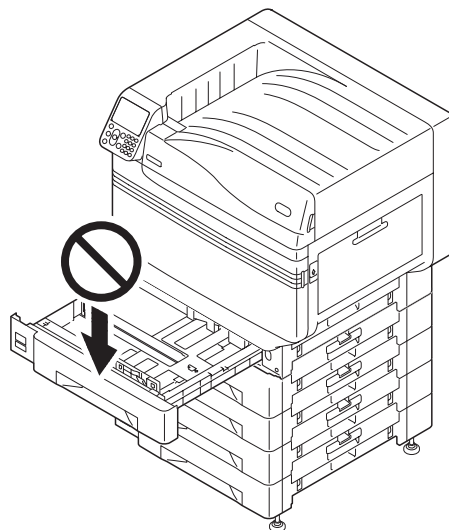
- If mounting the expansion tray unit, it is necessary to implement "Connecting Cables" (P.63) and "Connecting Power Cables" (P.57) before making the settings for the printer drivers to detect the expansion tray unit. See "Adding Options" (P.82).

If moving the printer or replacing consumables or maintenance units, or setting paper in the tray, check the following points to prevent the printer from toppling.

- Do not press the front cover when the printer font cover is open.



- Do not press on the cassette from above when the cassette is pulled out.



1

Before use

2

Setting Up

3

Printing

4

Basic Device Operations

Appendix

Index

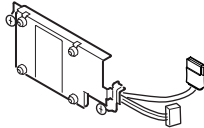
Mounting the Built-in HDD (Optional)

Mount the (optional) built-in HDD to increase the memory capacity or implement secure printing.

Reference

- For the functions required by the HDD, see "Advanced".

■ Built-in HDD (model: HDD-C3G)



1 Turn OFF the device power supply, and remove the cables.

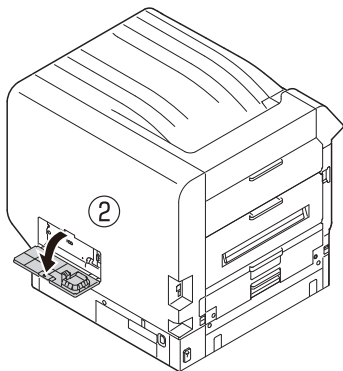
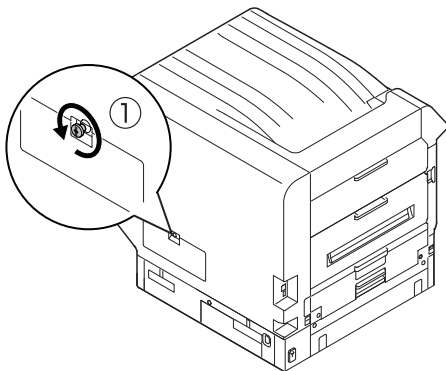
Note

- When turning OFF the power supply, make sure to press the power switch and wait for shutdown before turning OFF (O) the main power switch.

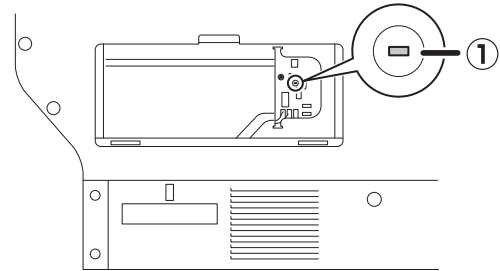
Reference

- "Connecting Power Cables" (P.57)
- "Turning OFF the Power Supply" (P.58)

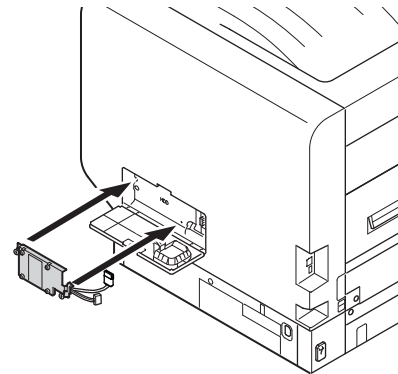
2 Loosen the screws on the access cover at the back of the printer (①), and open the door (②).



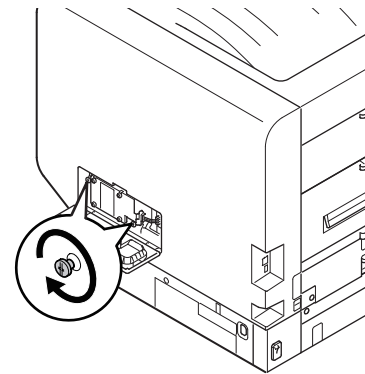
3 Check that the internal LED lamp (①) is OFF.



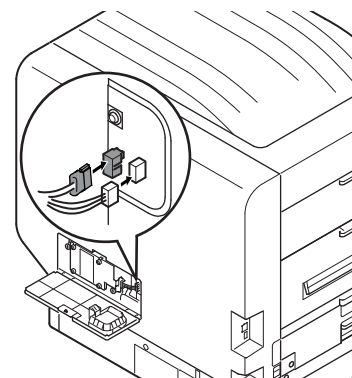
4 Align the screws (x2) on the built-in HDD to the holes on the device.



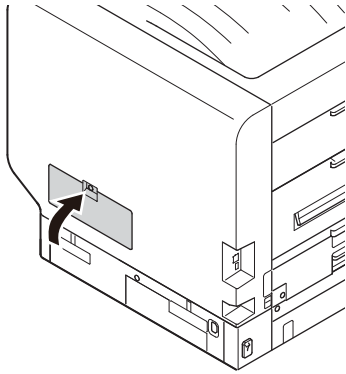
5 Rotate the screws (x2) in the direction of the arrows to tighten securely.



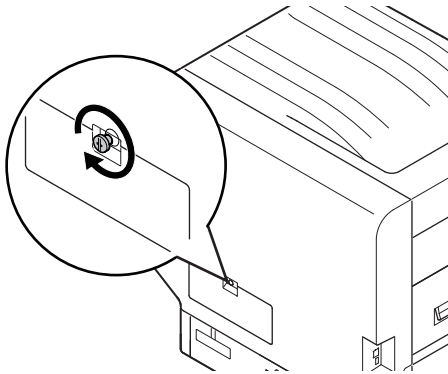
6 Connect the HDD connectors to the device.



7 Close the access cover.

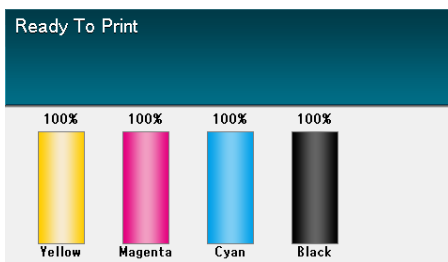


8 Tighten the access cover screws.



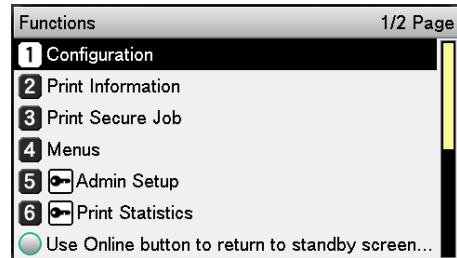
9 Connect the cables, and turn ON the device power supply.

10 Check that the standby screen is displayed in the liquid crystal panel.



11 Print the "Configuration".

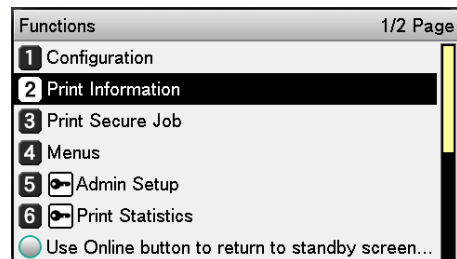
Press either the scroll button ▲ or ▼ on the control panel to display the "Functions" screen.



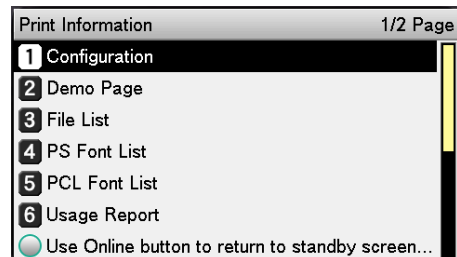
Memo

- Print the "Configuration" on A4 size paper. Set A4 size paper in the paper feed tray.

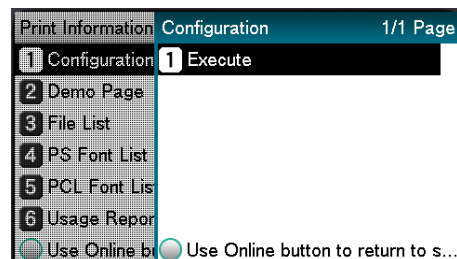
12 Press the scroll button ▼ to select [Print Information], and then press the [OK] button.



13 When the [Configuration] have been selected, press the [OK] button.



14 When [Execute] has been selected, press the [OK] button.



15 Check that the HDD has been added to the "Configuration".

Reference

- "Printer Information" (P.60)

1 Before use

2 Setting Up

3 Printing

4 Basic Device Operations

Appendix

Index

● Turning ON/OFF the Power

Power Supply Precautions

WARNING

There is a risk of getting an electric shock and/or causing fire.



- Be sure to cut off the power supply when attaching or removing the power supply plug or the earth wire.
- Be sure to connect an earth wire to the grounding terminal of exclusive use.
- Please do not connect with the ground of a water pipe, a gas pipe, and a telephone wire, or lightning rod without fail.
- Make sure to connect with the ground terminal before connecting the power cord to the power supply plug.
- Be sure to perform extraction and insertion of the power cord with a power supply plug.
- Insert the power supply plug into the wall socket securely.
- Do not touch the power cord, or machine, if your hands are wet.
- Install the power cord in a location where it will not be stepped on, and do not place objects on the power cord.
- Do not twist, bind, or knot the power cord.
- Please do not use a damaged power cord.
- Do not carry out foot wiring.
- Do not connect this machine and other electric products to the same wall socket. If connected simultaneously with an air-conditioner, a copy machine, shredder, etc., electric noise may interfere with operation. When the connection with the same wall socket is unavoidable, please use a commercial noise filter or a commercial noise cut transformer.
- Use the attached power cord and insert it directory with the ground terminal. Do not use power cords intended for other products with this machine.
- Do not use an extension cord. When use is unavoidable, use a cord rated higher than 15A.
- Use of an extended cord may cause AC voltage decrease and interfere with normal operation.
- During printing, do not shut off the power supply or pull out the power supply plug.
- When not in use for consecutive holidays or longterm travel, pull out the power cord.
- Do not use the attached power cord for other products.

Power Supply Conditions

Observe the following power supply conditions.

Current:	110 - 127VAC (Range 99 - 140 VAC) 220 - 240VAC (Range 198 - 264VAC)
Power frequency:	50/60 Hz ± 2%

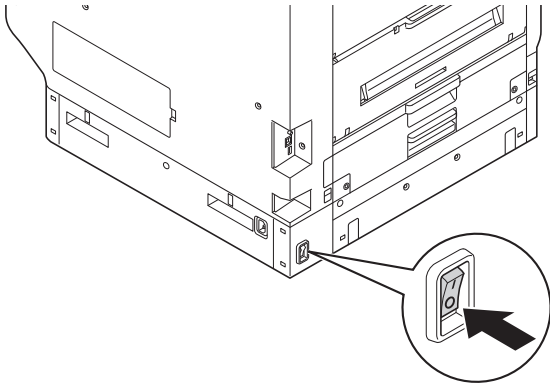
Note

- If the power supply is unstable, use a voltage regulator.
- The maximum power consumption of the device is 1500W. Check that there is sufficient voltage capacity.
- Operations cannot be assured if using an uninterruptible power supply (UPS) or inverter. Do not use an uninterruptible power supply or inverter.

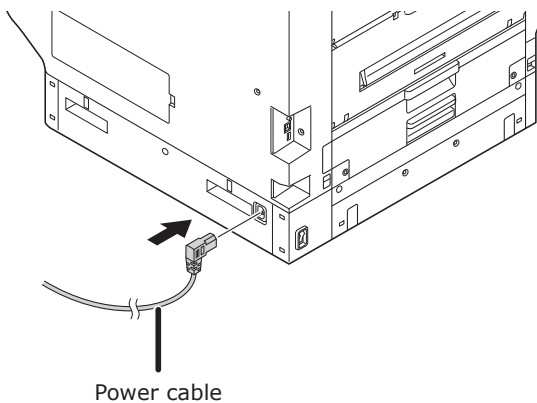
Connecting Power Cables

- 1 Check that the device power supply is turned OFF.

The device is OFF when the main power switch is in the (O) position.



- 2 Securely insert the enclosed power cable into the device power connector.



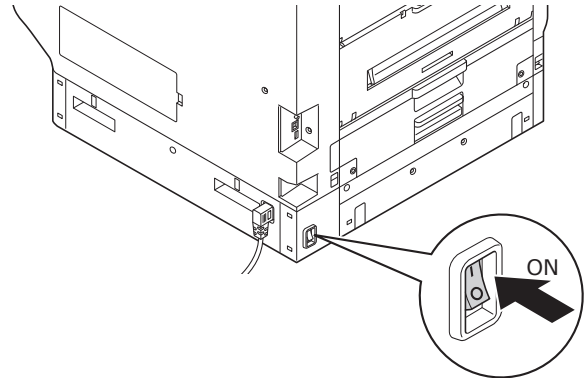
- 3 Insert the power plug into the power outlet.

Turning ON the Power Supply

! Note

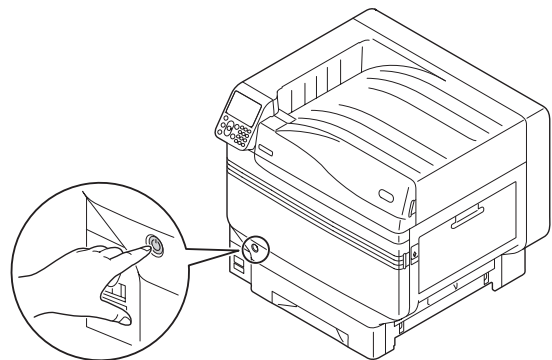
- For the C941/ES9541dn model, do not turn ON the power supply before the Spot Color kit has been set.

- 1 Turn ON (I) the main power switch.



- 2 Press and hold the power switch for approx. 1s.

When the power supply is ON, the LED lamp for the power switch will turn ON.



Memo

- The "OKI" logo screen will be displayed in the liquid crystal display of the control panel when the device starts. Wait a moment until the standby screen is displayed, and the printing is enabled.
- When the power supply is turned ON for the first time, the device auto initialization will start. Wait until the standby screen is displayed in the liquid crystal display on the control panel.

1

Before use

2

Setting Up

3

Printing

4

Basic Device Operations

Appendix

Index

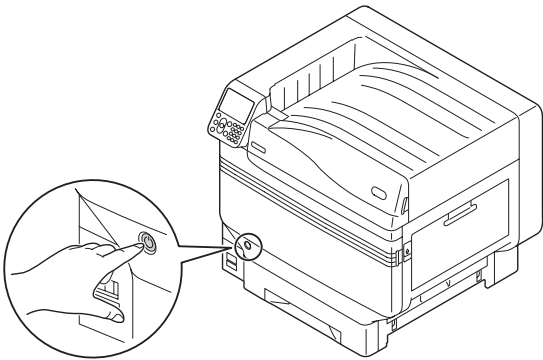
Turning OFF the Power Supply

During normal use, use the following procedure to turn OFF the power supply.

! Note

- Once shutdown has been implemented, it cannot be stopped. To turn ON the device power supply again, wait until shutdown has finished, and then turn ON the power supply.

- 1 Press and hold the power switch for approx. 1s.



"Shutting down. Please wait. Power will turn OFF automatically" will be displayed in the control panel, and the power switch LED lamp will flash on an approx. 1-s cycle.

Wait a moment, and the power supply for the device will turn OFF automatically, and the LED lamp on the power switch will turn OFF.

! Note

- Press and hold the power switch for 5s min. to force-turn OFF the power supply. Use only if a problem has occurred. For device problems, see "Troubleshooting/Daily Maintenance Manual".

In the following cases, use the following procedure to turn OFF the main power supply.

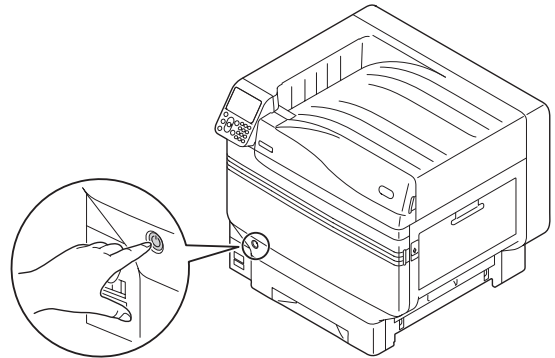
If not using the device for long periods over holidays or during travel, etc.

If mounting optional or maintenance products.

If moving the device.

If implementing device repairs or inspections, etc.

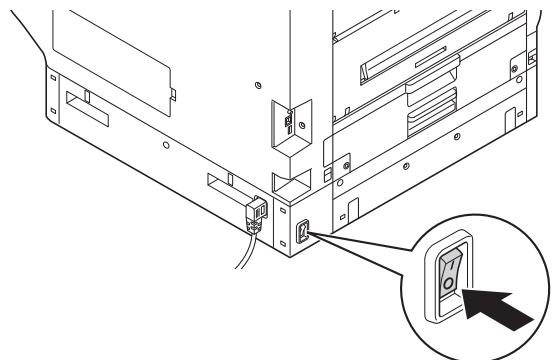
- 1 Press and hold the power switch for approx. 1s.



"Shutting down. Please wait. Power will turn OFF automatically" will be displayed in the control panel, and the power switch LED lamp will flash on an approx. 1-s cycle.

Wait a moment, and the device power supply will turn OFF automatically, and the LED lamp on the power switch will turn OFF.

- 2 Turn OFF (O) the main power switch to turn OFF the power supply.



● Test Printing Using the Printer Only

Check that printing is actually enabled using the printer only. Check by printing the device setup and setup details, which enable the status to be checked. (Printer information.)

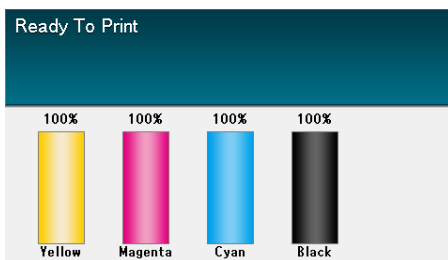
Memo

- Print the "printer information" on A4 size paper. Set A4 size paper in the paper feed tray.

Reference

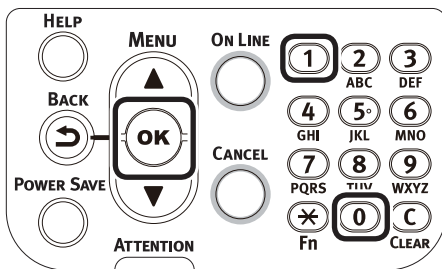
- See "Turning ON the Power Supply" (P.57) for how to turn ON the power supply.

- 1 Set A4 paper in tray 1.
- 2 Check that the standby screen is displayed in the liquid crystal panel.

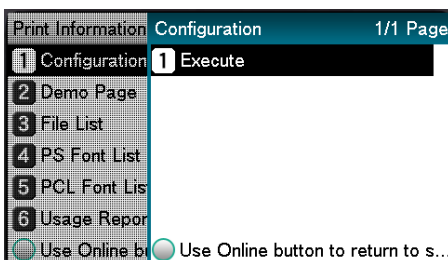


- 3 Press the [Fn] key. The numerical value input screen will be displayed.

- 4 Press [1], [0], [0], and then press the [OK] button.



- 5 When [Execute] has been selected, press the [OK] button.



The printer information will be displayed.

- 1 Before use
- 2 Setting Up
- 3 Printing
- 4 Basic Device Operations
- Appendix
- Index

Printer Information

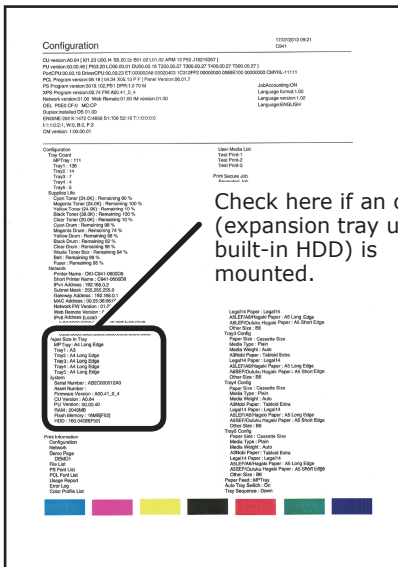
During test printing, the following device setup details (printer information) will be printed.

Memo

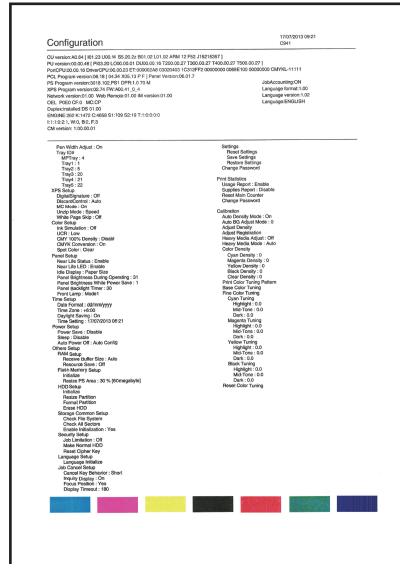
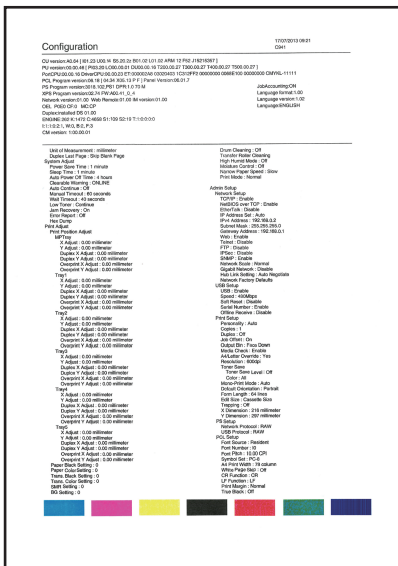
- Use the printer information to check the functions that are currently usable, the settings table, the software and hardware versions built into the device, and the print quantity, etc.

Note

- The printer information described here is a sample. The printer information printed by your device may differ in places.



Check here if an option (expansion tray unit or built-in HDD) is mounted.



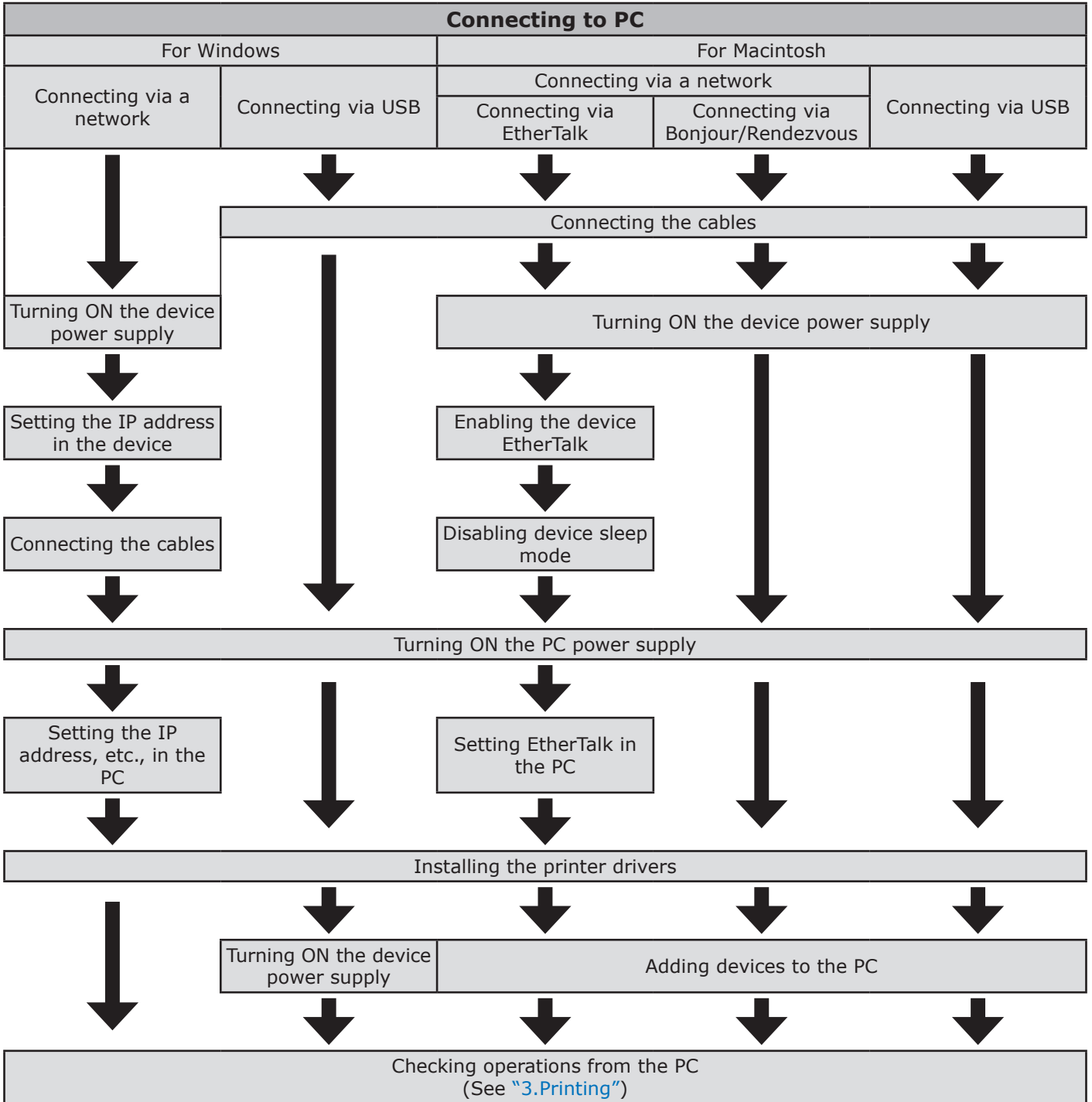
Reference

- You can also print function reports and demo pages, etc. For details, see "Advanced".

● Connecting the PC

This section explains how to connect the device to a PC, and how to install the printer drivers from the enclosed "Software DVD-ROM". Prepare a PC connected to a DVD drive.

Flow for Installing Drivers on a PC



- 1 Before use
- 2 Setting Up
- 3 Printing
- 4 Basic Device Operations
- Appendix
- Index

Operating Environment

The device is compatible with the following operating systems (OS).

- Windows 8/Windows 8 (64-bit version)^{*1}
- Windows Server 2012
- Windows 7/Windows 7 (64-bit version)
- Windows Vista/Windows Vista (64-bit version)
- Windows Server 2008 R2
- Windows Server 2008/Windows Server 2008 (x64 version)
- Windows XP/Windows XP (x64 version)
- Windows Server 2003/Windows Server 2003 (x64 version)
- Mac OS X 10.3.9 to OS X 10.8
- Mac OS 9.1 to 9.2.2^{*2}

*1: For Windows 8, only desktop mode is compatible.

*2: Download and use the Mac OS 9 printer drivers from the OKI homepage. (<http://www.okidata.co.jp/>)

Printer Driver Types

The following types of printer driver can be installed.

- Windows

Type	Explanation
PS	Applies to the printing of documents that include PostScript fonts and EPS data.
PCL ^{*1}	Applies to the printing of business documents.
XPS ^{*2}	Applies to printing from applications that support XPS.

*1: Windows XP requires that Internet Explorer 6.0 or later (MSXML 4.0 or later) be installed.

*2: Windows XP/Windows Server 2003 are not compatible.

- Mac OS/Mac OS X

Type	Explanation
PS	Applies to the printing of documents including PostScript fonts and EPS data. Can also be used for regular printing.

! Note

- Descriptions may differ depending on the printer driver, and Windows or Mac OS version.

Connecting Cables

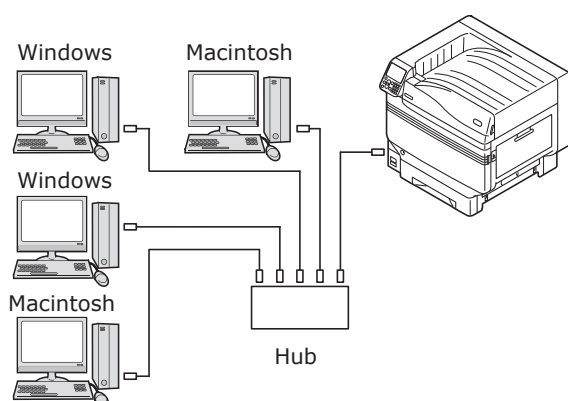
Connect the device to a PC or network.

The device is equipped with the LAN (network) interface connectors and USB interface connectors as standard. Connections can be made to the network directly using LAN cables, and to the PC using USB cables.

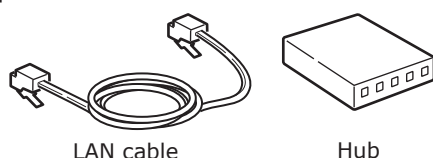
Connecting Using LAN Cables

Connecting the device to a network such as LAN (Ethernet*), etc., enables the device to be shared by all the PCs on the network. This system can be used by OS such as Windows or Mac, etc.

*: The device is equipped with network interfaces compatible with 10BASE-T/100BASE-TX/1000BASE-T as standard.



■ Preparations

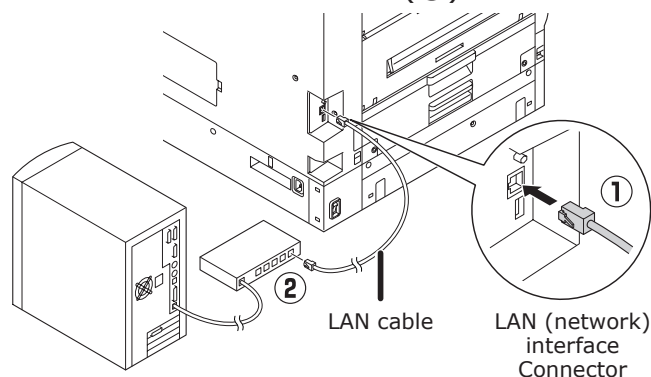


! Note

- LAN cables and hubs are not enclosed with the device. Prepare LAN cables (category 5 or greater, twist pair cable, straight) and hubs as necessary.
- The setup must be changed if using with 1000BASE-T as the factory default settings are "Gigabit network: Disabled" in the administrator setup menu. Setup method: In the control panel, select [Admin Setup]> Enter the password> [Network Setup]> [Gigabit network]> [Enable].

■ Connecting LAN Cables

- 1 Connect the LAN cable to the LAN (network) interface connector (①).
Connect the other end of the LAN cable to the hub connector (②).



1

Before use

2

Setting Up

3

Printing

4

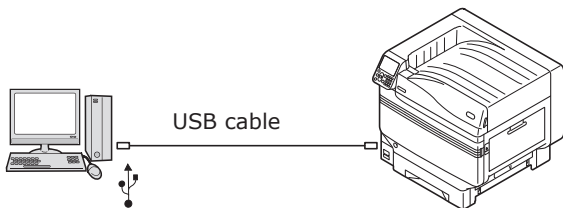
Basic Device Operations

Appendix

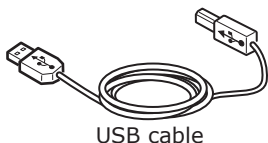
Index

Connecting Using USB Cables

Connect the device and PC using USB cables.



■ Preparations



! Note

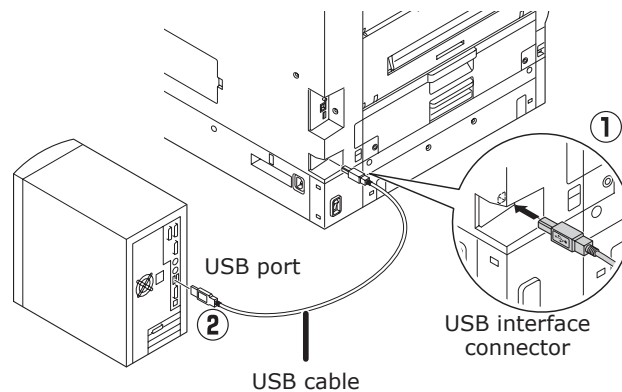
- USB cables are not enclosed with the device. Prepare USB cables with USB2.0 specifications, length 2m min. as necessary.
- If connecting using USB2.0 Hi-Speed mode, use a USB cable with Hi-Speed USB2.0 specifications.

■ Connecting USB Cables

! Note

- If the printer drivers are not installed on the PC, remove the USB cable from the PC, and first install the printer drivers. (page 72)

1 Pay attention to the connector orientation, and connect the square end of the USB cable to the Printer (①). Connect the other, flat end to the PC (②).



! Note

- Be careful not to insert the USB cable into the LAN (network) interface connector. Doing so may cause a printer malfunction.
- Do not insert the USB cable when the PC or device power supply is ON. Doing so may cause a printer malfunction.

Memo

- Set the device USB baud rate using the control panel according to the USB port baud rate (speed) mounted to the PC. For the control panel, see "Control Panel Appearance" (P.32).

1 Before use

2 Setting Up

3 Printing

4 Basic Device Operations

Appendix

Index

Installer Printer Drivers (Windows)

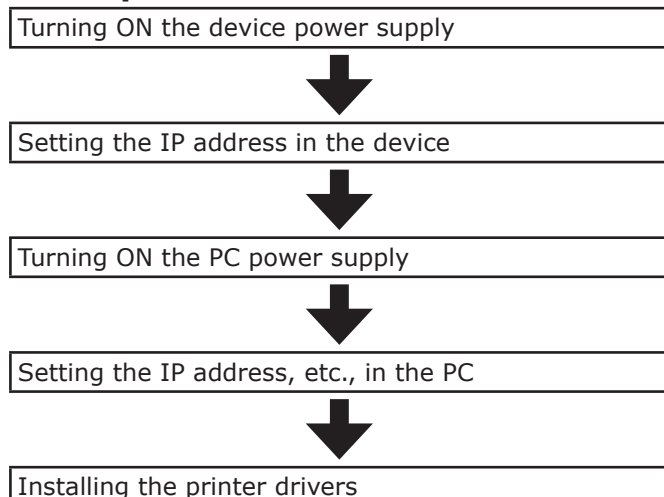
Network Connections

To connect the Windows PC and device to the network, first set the device IP address. Next, install the printer drivers on the PC.

If there are no DHCP or BOOTP servers on the network, it is necessary to set the IP address on the PC and device manually.

Further, it is also necessary to set the IP address in the PC and device manually if instructed to set a specific IP address determined by the in-house network administrator, provider, or router manufacturer.

■ Setup Flow



! Note

- If the IP address is incorrect, the network may go down, or internet connections be disabled. Check the IP addresses that can be set in the device with your in-house network administrator or internet service provider.
- The server on the network (DHCP, etc.) depends on the network environment in use. Check with your in-house network administrator, internet service provider, or router manufacturer.
- Setup requires computer administrator privileges.
- In "Setting Up", the operating procedure described is for Windows 7 unless otherwise specified. The screens and operating procedure may differ depending on the OS.

■ Setting the IP Address in the Device Using the Control Panel

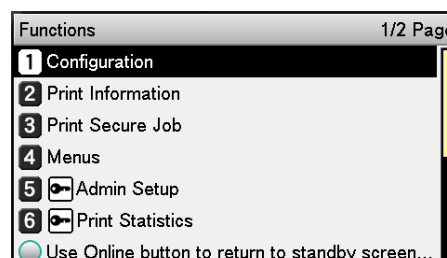
Memo

- If configuring using a small network that connects the device to a single PC, set the following IP address (conforming to RFC1918).
 - PC
 - IP address: Any from 192.168.0.1 to 254
 - Subnet mask: 255.255.255.0
 - Default gateway: Not used
 - DNS server: Not used
 - Device
 - IP address setup: Manual from 192.168.0.1 to 254 (Select a different value from the PC.)
 - Subnet mask: 255.255.255.0
 - Default gateway: 0.0.0.0
 - Network size: Small

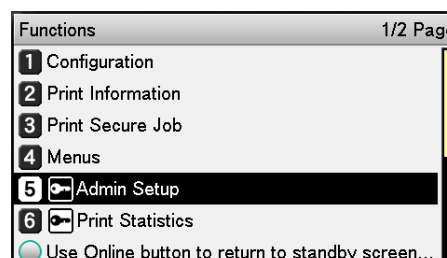
This section explains the following settings as an example.

IP address: 192.168.0.3 (PC)
 192.168.0.2 (Device)
 Subnet mask: 255.255.255.0
 Gateway address: 192.168.0.1

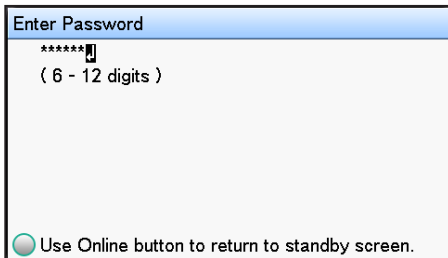
- 1 Press either the scroll button ▲ or ▼ on the control panel to display the "Functions" screen.



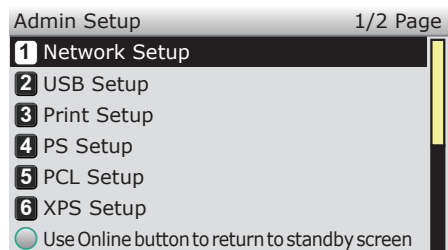
- 2 Press the scroll button ▼ several times to select [Admin Setup], and then press the [OK] button.



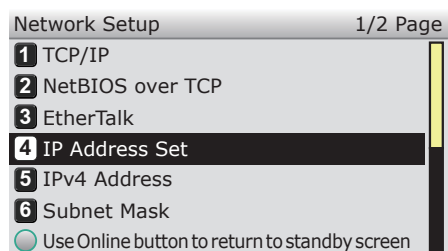
- 3** Use the 10-key pad to enter the administrator password.
- The default factory-set password is "aaaaaa". Press the [OK] button after entering each individual character.



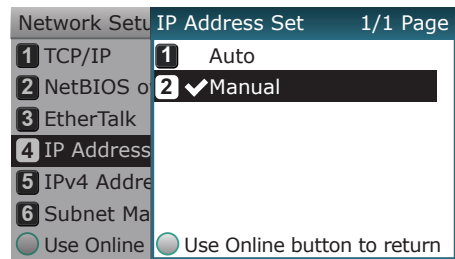
- 4** Press the [OK] button.
- 5** Check that [Network Setup] has been selected, and press the [OK] button.



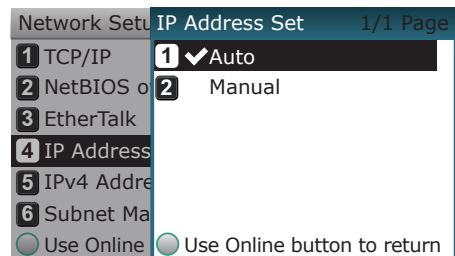
- 6** Press the scroll button ▼ several times to select [IP Address Set], and then press the [OK] button.



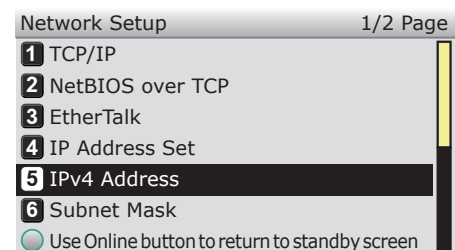
- 7** If setting the IP address manually, press the scroll button ▼ to select [Manual], and then press the [OK] button.
- Go to Step 8



- If acquiring the IP address automatically, check that [Auto] has been selected, and then press the [OK] button.
- Go to Step 14

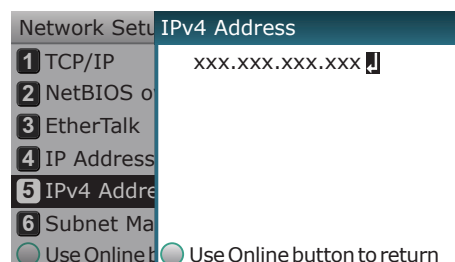


- 8** Press the scroll button ▼ several times to select [IPv4 Address], and then click the [OK] button.



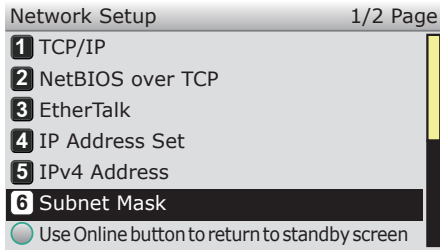
- 9** Use either the scroll buttons ▲▼ or the 10-key pad to enter the first 3 digits of the IP address, and then press the [OK] button. Enter the next 3 digits in the same way. When all entries are complete, press the [BACK] button.

To move to the next box, press the [OK] button.

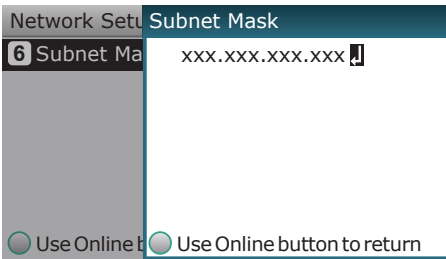


1 Before use
2 Setting Up
3 Printing
4 Basic Device Operations
Appendix
Index

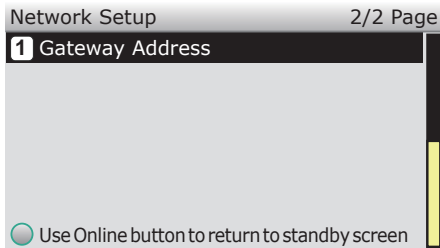
10 Press the scroll button ▼ to select [Subnet Mask], and then press the [OK] button.



11 Enter the subnet mask in the same way as the IP address. When all entries are complete, press the [BACK] button.



12 Press the scroll button ▼ to select [Gateway Address], and then press the [OK] button.



13 Enter the gateway address in the same way as the IP address. When all entries are complete, press the [BACK] button.



14 Press the [ON LINE] button to complete the network setup.



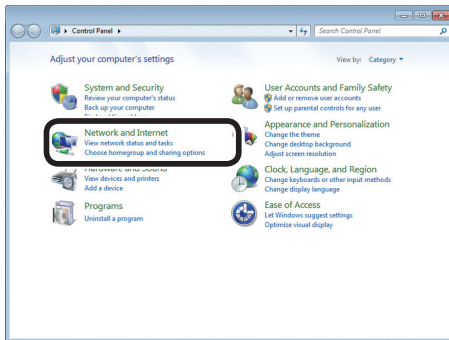
- 1 Before use
- 2 Setting Up
- 3 Printing
- 4 Basic Device Operations
- Appendix
- Index

■ Setting the IP Address in the PC

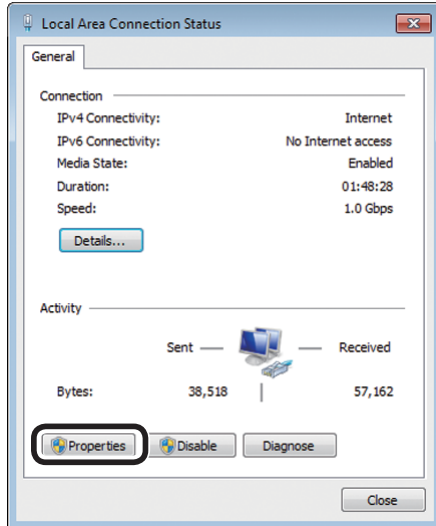
Note

- If the IP address has already been set in the PC or is acquired automatically, go to "Installing Printer Drivers" (P.70).

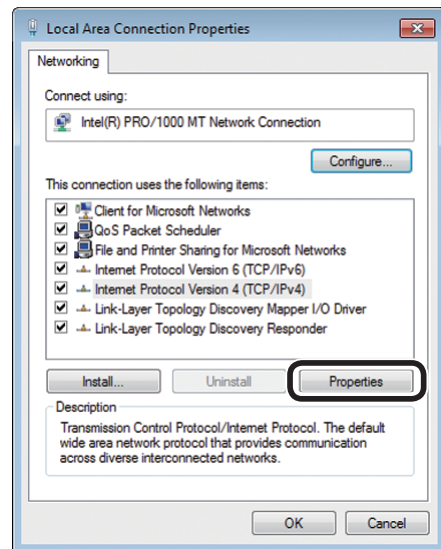
- 1 Turn ON the PC power supply to start Windows.
- 2 Click [Start], and select [Control panel].
- 3 Click [View network status and tasks].



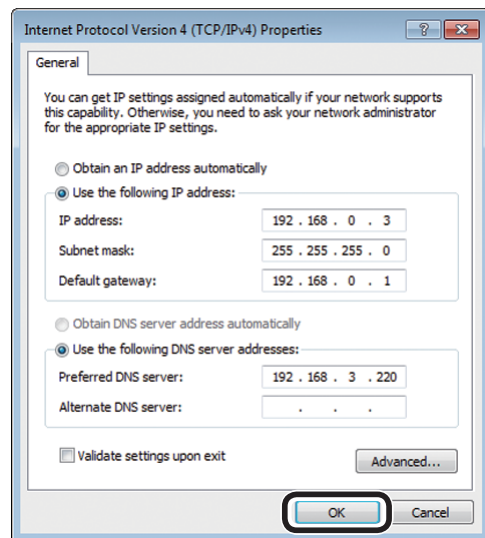
- 4 Click [Local Area Connection], and then click [Properties] in the "Local Area Connection Status" window.



- 5 Select [Internet Protocol Version 4 (TCP/IPv4)], and click [Properties].



- 6 Enter the IP address, Subnet mask, Default gateway, and DNS server, and click [OK].



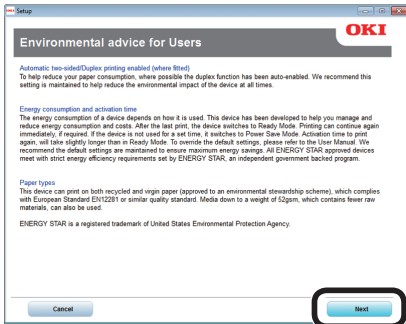
Memo

- If acquiring the IP address from the DHCP server automatically, select "Obtain an IP address automatically", and do not enter an IP address.
- Do not enter if not using a Default gateway or DNS server.

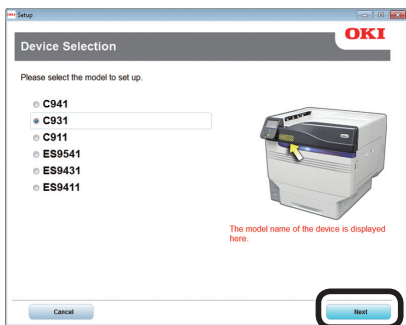
- 7 Close the "Local Area Connection Properties" window.

■ Setting the Device Network

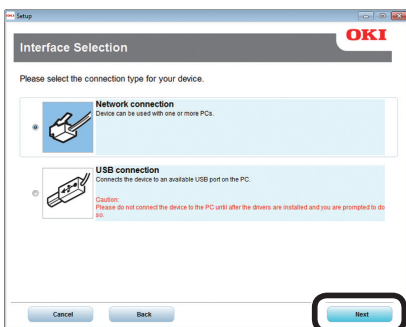
- 1 Check that the device and PC are connected, and that the power is turned ON, and then insert the "Software DVD-ROM" into the PC.
- 2 When the "AutoPlay" window is displayed, click [Run Setup.exe].
- 3 When the "User Account Control" window is displayed, click [Yes].
- 4 Read the "Software License Agreement" thoroughly, and click [Agree].
- 5 Read the "Environmental advice for Users", and click [Next].



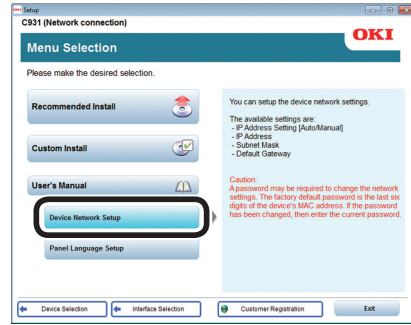
- 6 Set the printer model to be set, and click [Next].



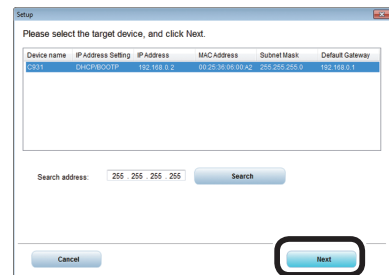
- 7 Select [Network connection], and click [Next].



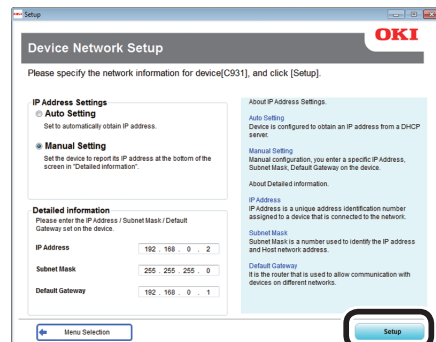
- 8 Click [Device Network Setup].



- 9 The printer search will start. Select the device from the table when the printer has been detected, and click [Next].



- 10 Enter the network setup information, and click [Setup].

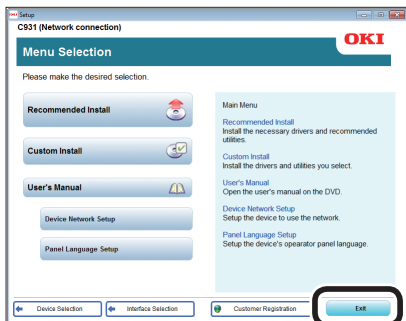


- 11 Enter the network setup password, and click [OK].



12 When the setup is complete, the device will restart automatically, and the display will return to the menu selection screen.

Click [Exit] in the menu screen to finish.



■ Installing Printer Drivers

1 Check that the device and PC are connected, and that the power supply is turned ON.

Reference

- "Connecting Using LAN Cables" (P.63)

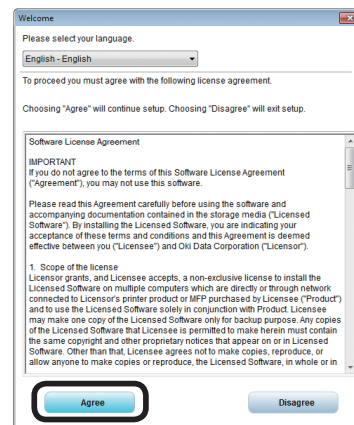
2 Insert the "Software DVD-ROM" into the PC.

3 When the "AutoPlay" window is displayed, click [Run Setup.exe].

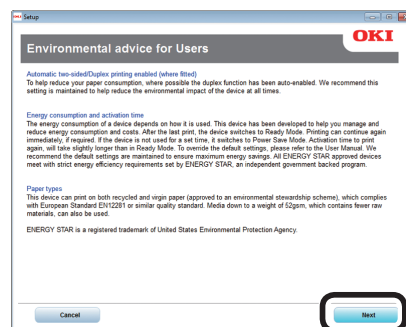


4 When the "User Account Control" window is displayed, click [Yes].

5 Read the "Software License Agreement", and click [Agree].



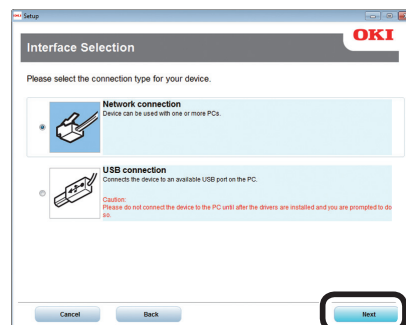
6 Read the "Environmental advice for Users", and click [Next].



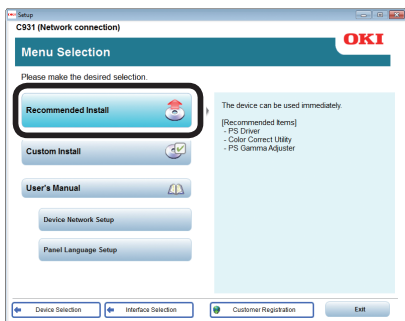
7 Select the printer model to be used, and click [Next].



8 Select [Network connection], and click [Next].



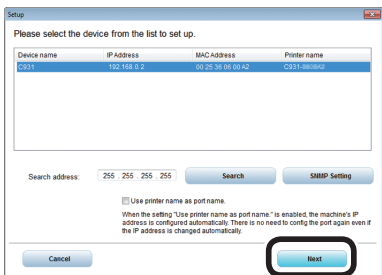
9 Click [Recommended Install].



Memo

- Click [Custom install] to select "PCL6 Driver" and "XPS Driver".

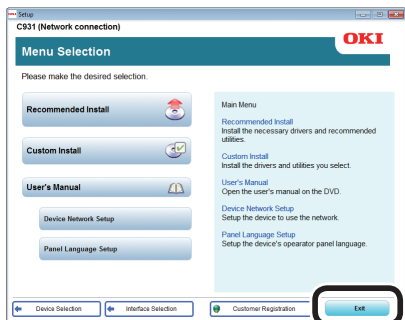
10 The printer search will start. When the printer has been detected, select the device from the table. Click [Next] to start the installation.



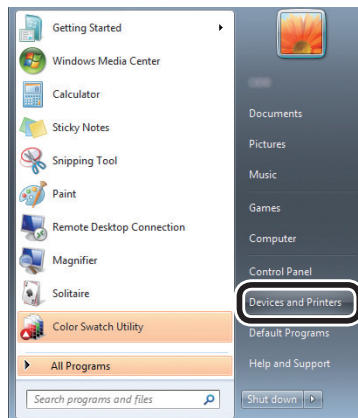
11 When the installation is complete, click [Exit].



12 Click [Exit] in the menu screen to finish.

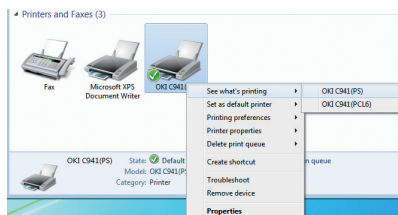


13 Select [Start]> [Devices and Printers].



14 Check that the OKI C931 icon is displayed.

Right-click the OKI C931 icon and select an item from the menu, and check that all the printer drivers that have been installed are displayed in the sub-menu.



15 Remove the "Software DVD-ROM" from the PC.

Reference

- For how to print from the PC, see "Printing from Trays" (P.94).

1 Before use

2 Setting Up

3 Printing

4 Basic Device Operations

Appendix

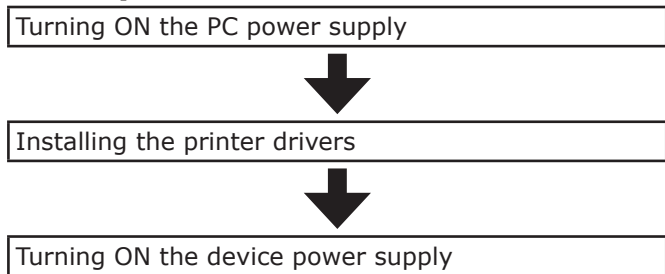
Index

USB Connections

Note

- Check that the device power supply is turned OFF.
- Setup requires computer administrator privileges.
- This section described the operating procedure for Windows 7 unless otherwise specified. The screens and operating procedure may differ depending on the OS.

■ Setup Flow



1 Turn ON the PC power supply to start Windows.

Memo

- When the device power supply is turned ON, the "Add new software wizard" may be displayed in the screen. If this happens, click "CANCEL", and then turn OFF the device before proceeding to the next step.

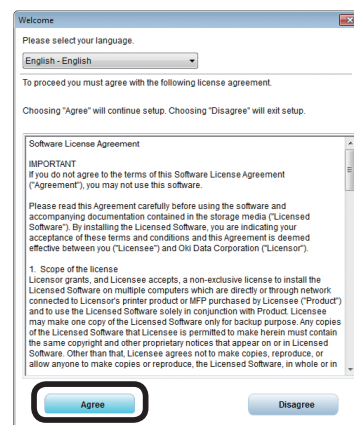
2 Insert the "Software DVD-ROM" into the PC.

3 When the "AutoPlay" window is displayed, click [Run Setup.exe].

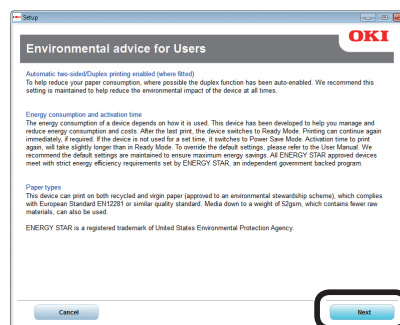


4 When the "User Account Control" window is displayed, click [Yes].

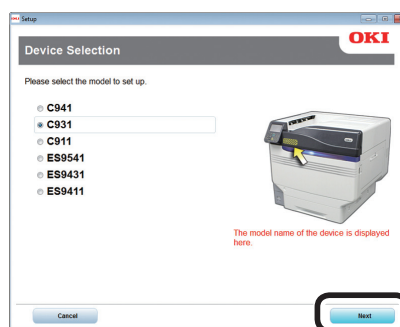
5 Read the "Software License Agreement", and click "Agree".



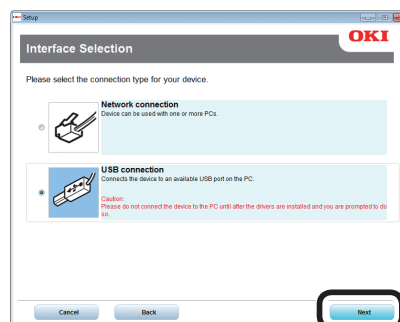
6 Read the "Environmental advice for Users", and click [Next].



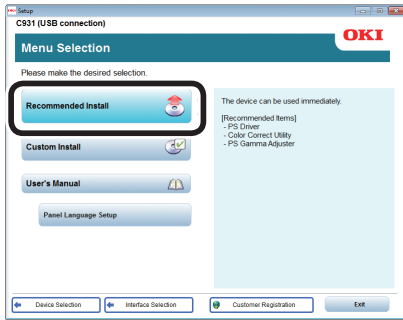
7 Select the printer model to be used, and click [Next].



8 Select "USB connection", and click [Next].



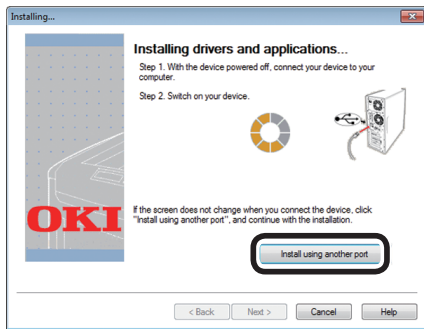
9 Click [Recommended Install] to start the installation.



Memo

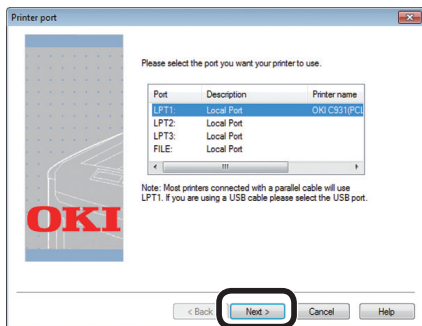
- Click [Custom install] to select "PCL6 Driver" and "XPS Driver".

10 When the following screen is displayed during the installation, connect the device and PC using a USB cable, and then turn ON the device power supply.

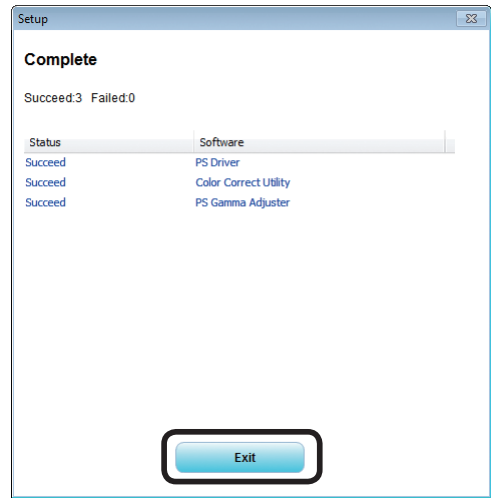


Memo

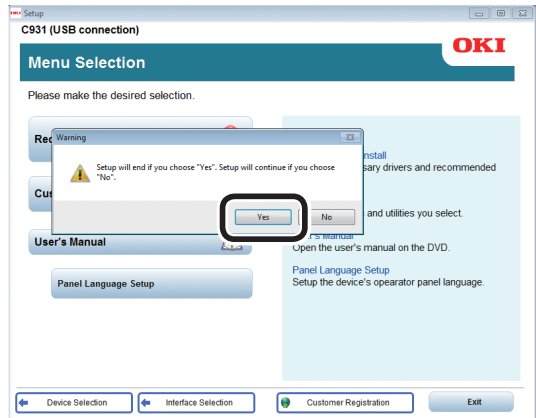
- If the display does not change even when the device is connected, click "Install using another port". Select the port to which the device is connected using the "Printer port" screen, and click [Next].



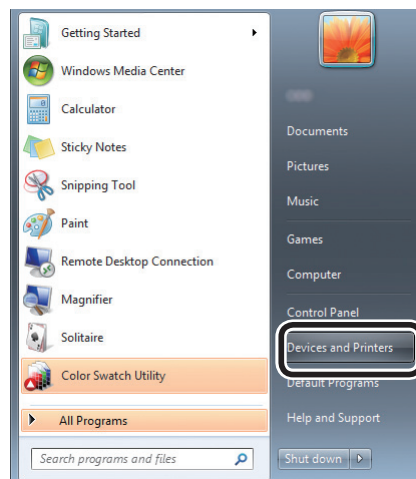
11 When the installation is complete, click [Exit].



12 In the menu screen, click [Exit]> [Yes].



13 Select [Start]> [Devices and Printers].



1 Before use

2 Setting Up

3 Printing

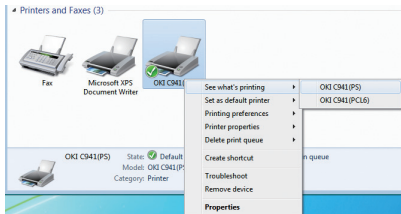
4 Basic Device Operations

Appendix

Index

14 Check that the OKI C931 icon is displayed.

Right-click the OKI C931 icon and select and item from the menu, and check that all the printer drivers that have been installed are displayed in the sub-menu.



15 Remove the "Software DVD-ROM" from the PC.

Reference

- For how to print from the PC, see "Printing from Trays" (P.94).

If Setup Fails

If setup fails using either a network or USB connection, see the enclosed "Troubleshooting/Daily Maintenance Manual".

This manual explains the possible causes of the setup trouble and the countermeasures.

Installing Printer Drivers (Macintosh)

Network Connections

To connect Mac OS X and the device via a network, install the printer drivers on the computer, and then set the device as a network printer.

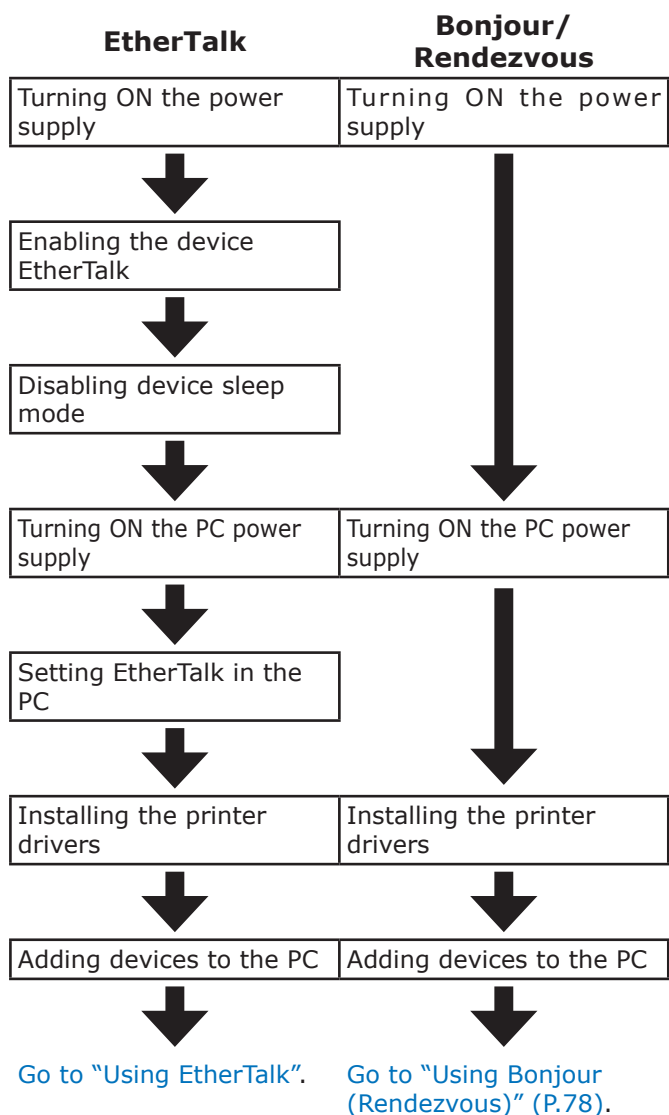
Deciding the Print Method (Protocol)

There are two printing methods from Mac OS X: Using EtherTalk, and using Bonjour/Rendezvous.

Print method (Protocol)	Features
EtherTalk	Uses functions mounted as standard to OS X 10.3 to 10.5, and Mac OS 9.1 to 9.2.2.
Bonjour (Bonjour) Rendezvous (Rendezvous)	Use this with TCP/IP networks.

■ Setup Flow

The setup procedure may differ depending on the print method.



! Note

- Upgrading the Mac OS X or printer driver version may result in differences from the description in the manual.
- Disable all anti-virus software before starting the setup.

■ Using EtherTalk

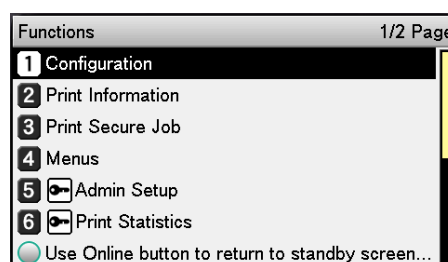
- Enable EtherTalk using the control panel, and disable sleep mode

If connecting to a network using EtherTalk, it is necessary to enable EtherTalk in the printer, and disable sleep mode. Next, install the printer drivers in the computer.

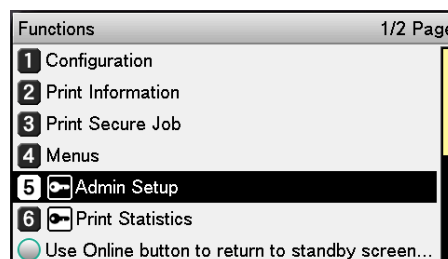
Reference

- People using Bonjour go to "Using Bonjour (Rendezvous)" (P.78).

- 1 Press either the scroll button ▲ or ▼ on the control panel to display the "Functions" screen.

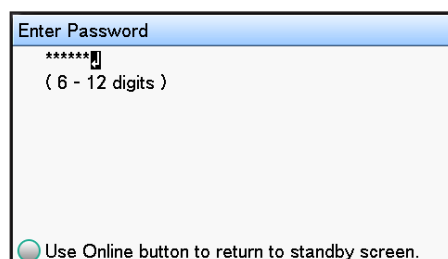


- 2 Press the scroll button ▼ several times to select [Admin Setup], and then press the [OK] button.



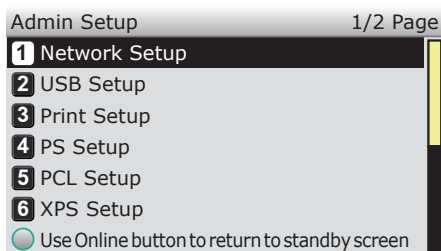
- 3 Use the 10-key pad to enter the administrator password.

The default factory-set password is "aaaaaa". Press the [OK] button after entering each individual character.

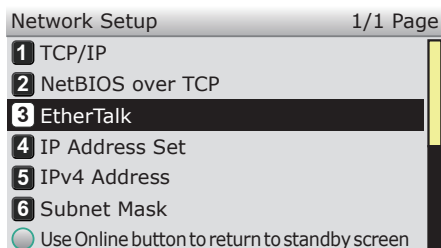


- 4 Press the [OK] button.

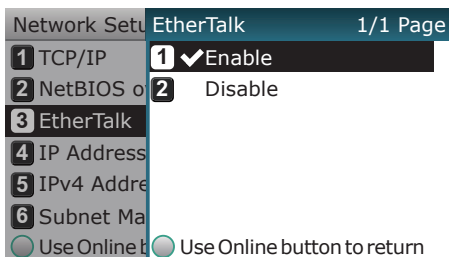
5 Check that [Network Setup] has been selected, and press the [OK] button.



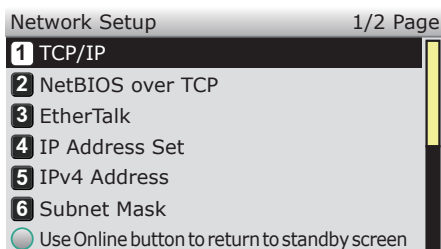
6 Press the scroll button ▼ several times to select [EtherTalk], and then click the [OK] button.



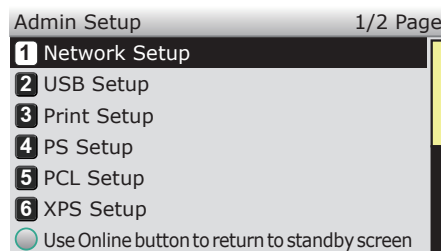
7 Press the scroll button ▼ to select [Enable], and then press the [OK] button.



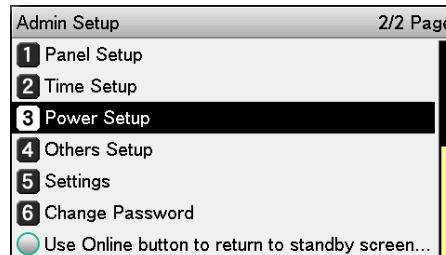
8 Press the [BACK] button to display the "Network Setup" screen.



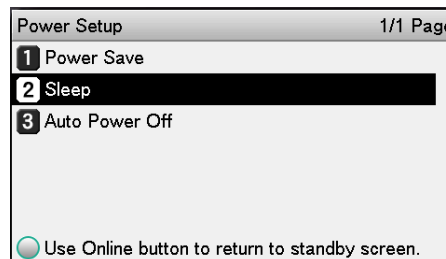
9 Press the [BACK] button to display the [Admin Setup] screen.



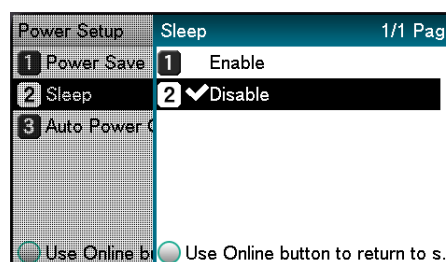
10 Press the scroll button ▼ several times to select [Power Setup], and then click the [OK] button.



11 Press the scroll button ▼ to select [Sleep], and then click the [OK] button.



12 Press the scroll button ▼ to select [Disable], and then click the [OK] button.



1

Before use

2

Setting Up

3

Printing

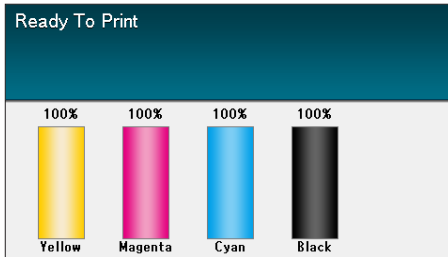
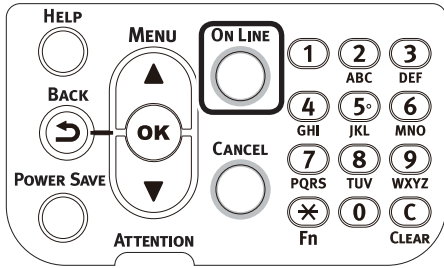
4

Basic Device Operations

Appendix

Index

13 Press the [ON LINE] button to return to the standby screen.



❑ Installing the printer drivers on the computer

1 Check that the device and PC are connected, and that the power supply is turned ON.

Reference

- "Connecting Using LAN Cables" (P.63)

2 Insert the "Software DVD-ROM" into the PC.

3 Double-click the OKI icon on the desktop.

4 Double-click [Driver]> [Installer for Mac OS X].



5 Enter the Mac OS X administrator password, and click [Install Software].



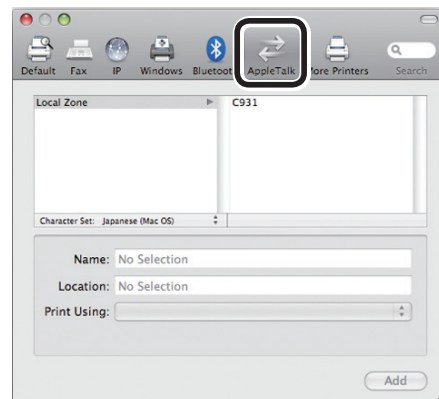
Finish the installation by following the instructions displayed on the screen.

6 Select [System Preferences] from the Apple menu.

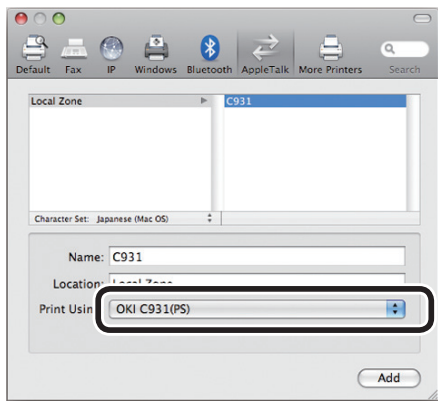
7 Click [Print & Scan].

8 Click [+].

9 Click [AppleTalk].

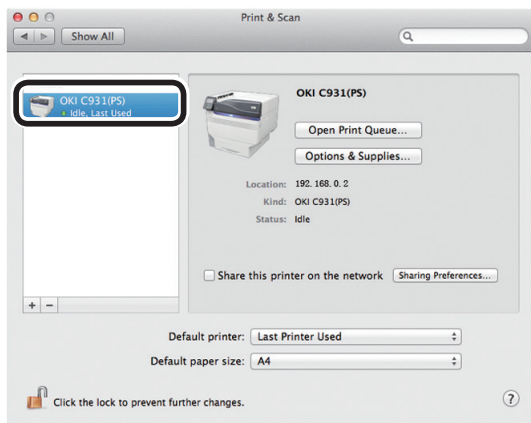


10 Select the printer, and check that [OKI C931(PS)] is displayed in [Print Using].



11 Click [Add].

12 Check that [C931] is displayed as added to the printer list, and close the [Print & Scan] screen.



Note

- If [OKI C931(PS)] is not displayed correctly in [Kind], click [-] to delete the device from [Printers], and repeat Steps 7 to 10 again.

13 Remove the "Software DVD-ROM" from the computer.

■ Using Bonjour (Rendezvous)

□ Installing the printer drivers on the computer

1 Check that the device and PC are connected, and that the power supply is turned ON.

Reference

- "Connecting Using LAN Cables" (P.63)

2 Insert the "Software DVD-ROM" into the computer.

3 Double-click the OKI icon on the desktop.

4 Double-click [Driver]> [Installer for Mac OS X].



5 Enter the Mac OS X administrator password, and click [Install software].



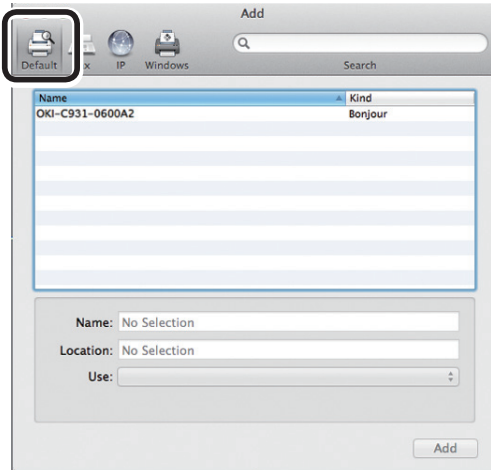
Finish the installation by following the instructions displayed on the screen.

6 Select [System Preferences] from the Apple menu.

7 Click [Print & Scan].

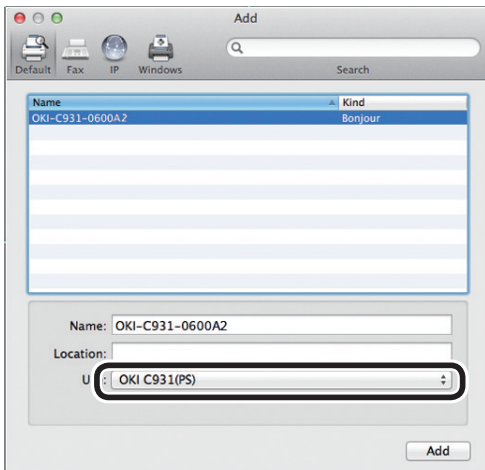
8 Click [+], and select [Add printer or scanner].

9 Click [Default].



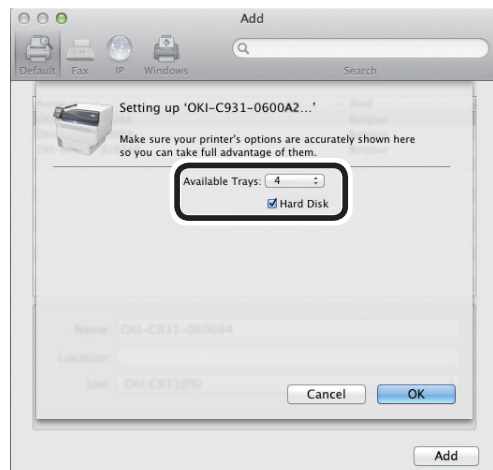
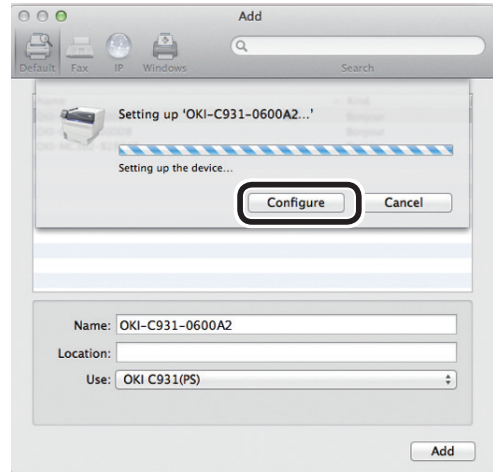
10 Select the printer displayed as [Bonjour] in [Kind], and check that [OKI C931(PS)] is displayed in [Use].

The name of the printer will be displayed in the format "OKI-C931-(last 6 digits of MAC address)".



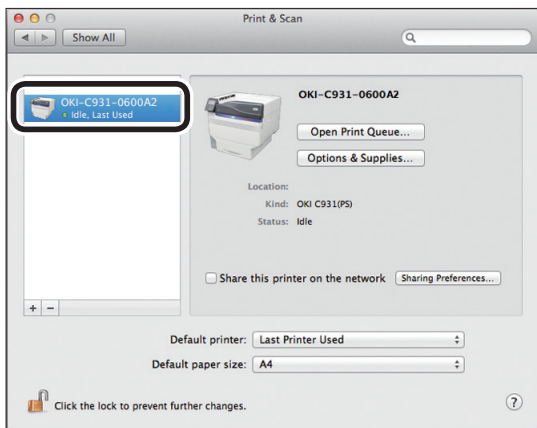
11 Click [Configure] in the next screen. If the optional expansion tray unit has been mounted to the device, you can change the number of trays.

If an optional built-in HDD has been mounted, enable the [Hard Disk] check box.



1	Before use
2	Setting Up
3	Printing
4	Basic Device Operations
	Appendix
	Index

12 Check that [OKI-C931-(last 6 digits of MAC address)] is displayed as added to the printer list, and close the "Print & Scan" screen.



Note

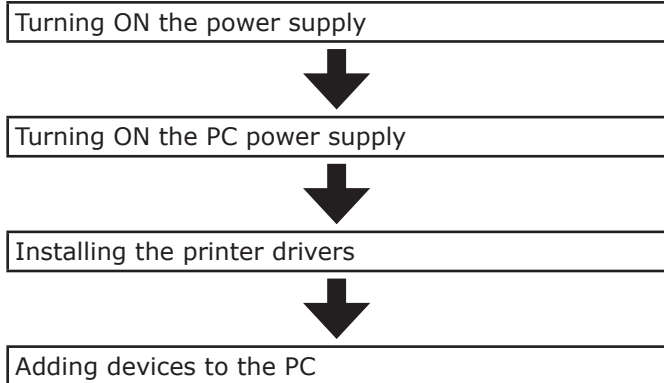
- If [OKI C931(PS)] is not displayed correctly in [Kind], click [-] to delete the device from [Printer], and then repeat Steps 8 to 11 again.

13 Remove the "Software DVD-ROM" from the PC.

USB Connections

To connect Mac OS X and the device via USB, install the printer drivers on the computer, and then set the device as a USB printer.

■ Setup Flow



Note

- Upgrading Mac OS X or the printer driver versions may cause differences from the description in the manual.
- Disable all anti-virus software before starting the setup.

1 Check that the device and PC are connected, and that the power supply is turned ON.

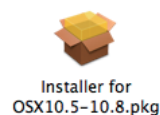
Reference

- "Connecting Using USB Cables" (P.64)

2 Insert the "Software DVD-ROM" into the computer.

3 Double-click the OKI icon on the desktop.

4 Double-click [Driver]> [Installer for Mac OS X].



5 Enter the Mac OS X administrator password, and click [Install software].



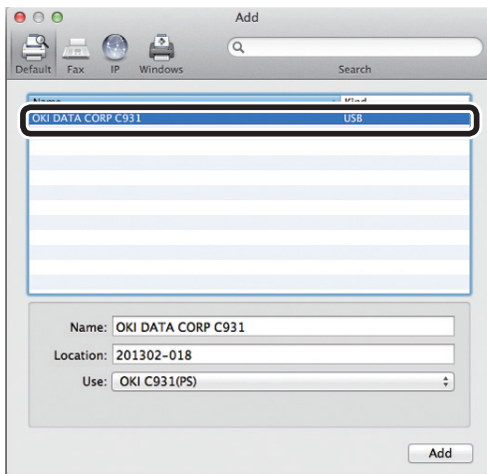
Finish the installation by following the instructions displayed on the screen.

6 Select [System Preferences] from the Apple menu.

7 Click [Print & Scan].

8 Click [+].

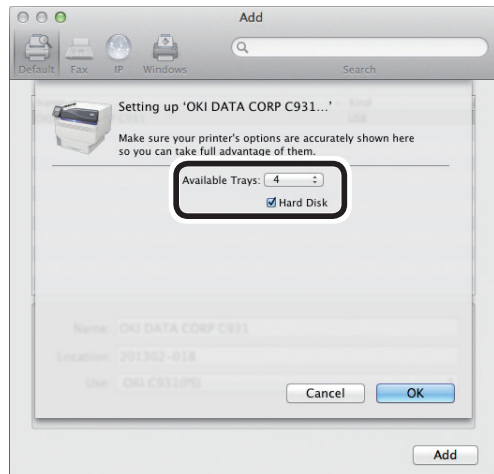
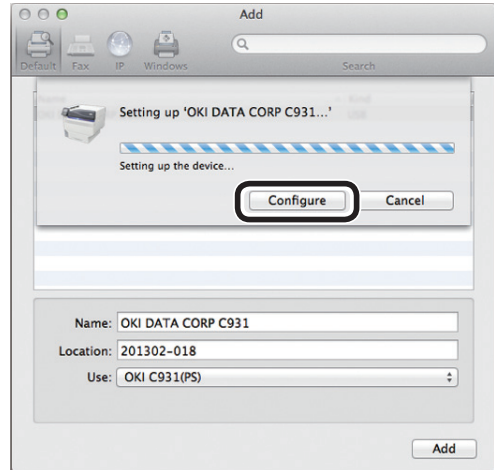
9 Select the printer displayed as [USB] in [Kind].



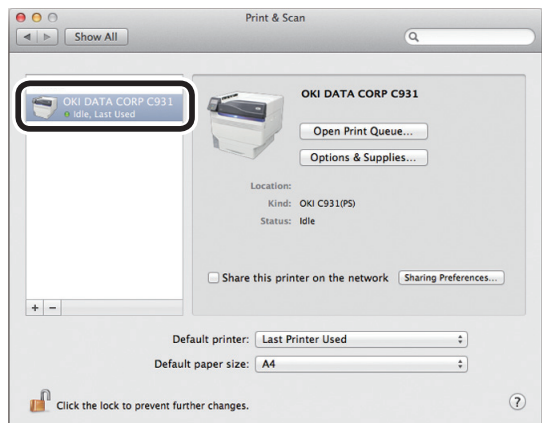
Check that [OKI DATA CORP C931] is displayed in the "Add" screen, and click [Add].

10 Click [Configure] in the next screen. If the optional expansion tray unit has been mounted to the device, you can change the number of trays.

If an optional built-in HDD has been mounted, enable the [Hard Disk] check box.



11 Check that [OKI DATA CORP C931] is displayed as added to the printer list, and close the "Print & Scan" screen.



- 1 Before use
- 2 Setting Up
- 3 Printing
- 4 Basic Device Operations
- Appendix
- Index

12 Remove the "Software DVD-ROM" from the PC.

Reference

- For how to print from the PC, see "Printing from Trays" (P.94).

If Setup Fails

If setup fails using either a network or USB connection, see the enclosed "Troubleshooting/Daily Maintenance Manual".

This manual explains the possible causes of the setup trouble and the countermeasures.

Adding Options

Use the following procedure to set the printer drivers if an optional expansion unit or built-in HDD have been mounted to the device.

■ Windows PS Printer Drivers

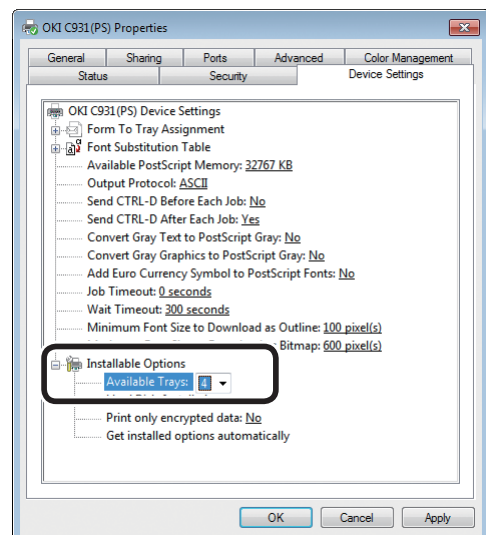
- 1 Click [Start], and select [Devices and Printers].
- 2 Right-click the OKI C931 icon, and select [Printer properties]. ([OKI C931(PS)] if installing multiple printer drivers.)
- 3 Select the [Device Settings] tab.

□ Adding an Expansion Tray Unit

- 4 If using a network connection, click [Get installed options automatically] in [Installable Options].

If using a USB connection, enter the number of trays minus the multi-purpose tray in [Available Trays].

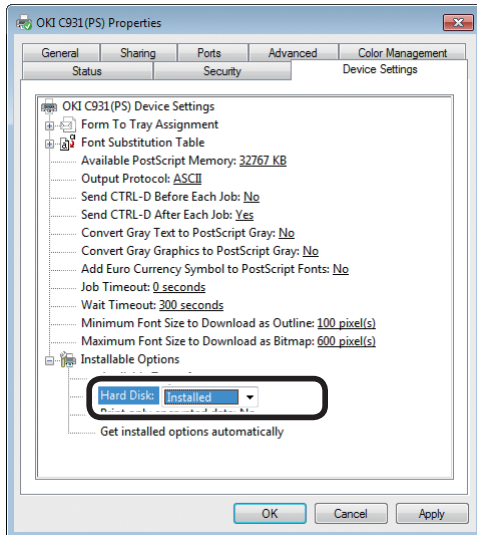
For example, if three expansion trays are mounted, the usable trays are trays 1/2/3/4, so enter "4".



□ Adding the Built-in HDD

- 4** If using a network connection, click [Get installed options automatically] in [Installable Options].

If using a USB connection, select [Installed] in [Hard Disk].



- 5** Click [OK].

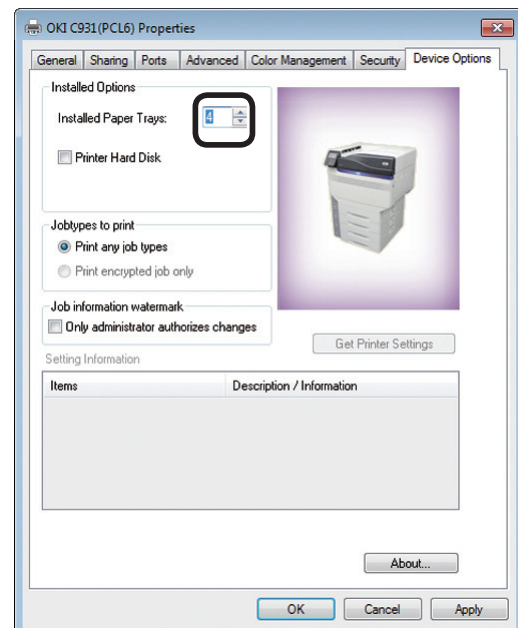
■ Windows PCL Printer Drivers

- 1** Click [Start], and select [Devices and Printers].
- 2** Right-click the OKI C931 icon, and select [Printer properties]. ([OKI C931(PCL6)] if installing multiple printer drivers.)
- 3** Select the [Device Options] tab.

□ Adding an Expansion Tray Unit

- 4** If using a network connection, click [Get Printer Settings].

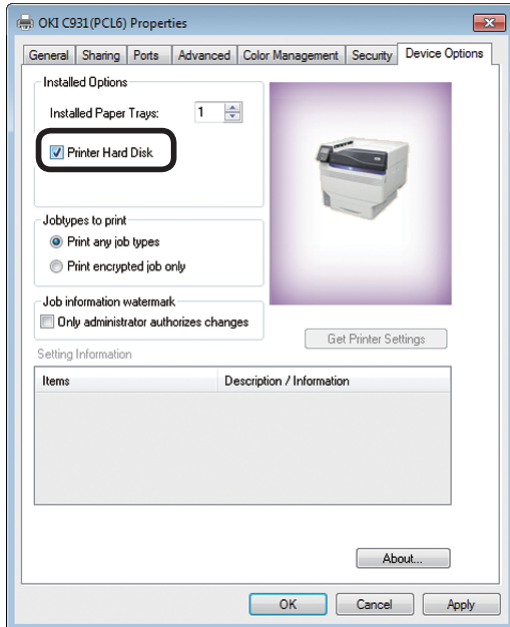
If using a USB connection, enter the number of trays minus the multi-purpose tray in [Installed Paper Trays]. For example, if three expansion trays are mounted, the usable trays are trays 1/2/3/4, so enter "4".



□ Adding the Built-in HDD

4 If using a network connection, click [Get Printer Settings].

If using a USB connection, enable the [Printer Hard Disk] check box.



5 Click [OK].

■ Windows XPS Printer Drivers

1 Click [Start], and select [Devices and Printers].

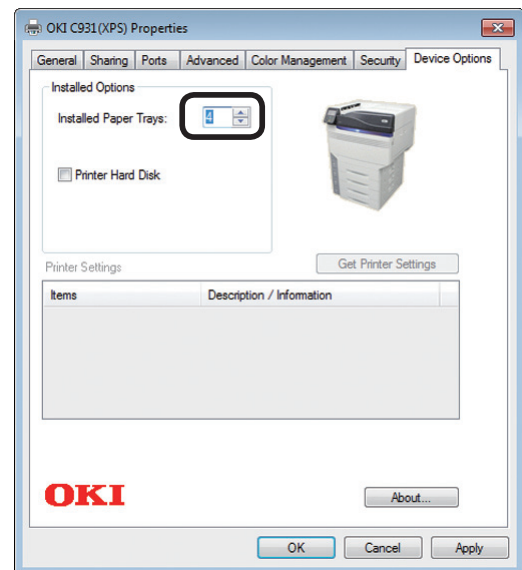
2 Right-click the OKI C931 icon, and select [Printer properties]. ([OKI C931(XPS)] if installing multiple printers.)

3 Select the [Device Options] tab.

□ Adding an Expansion Tray Unit

4 If using a network connection, click [Get Printer Settings].

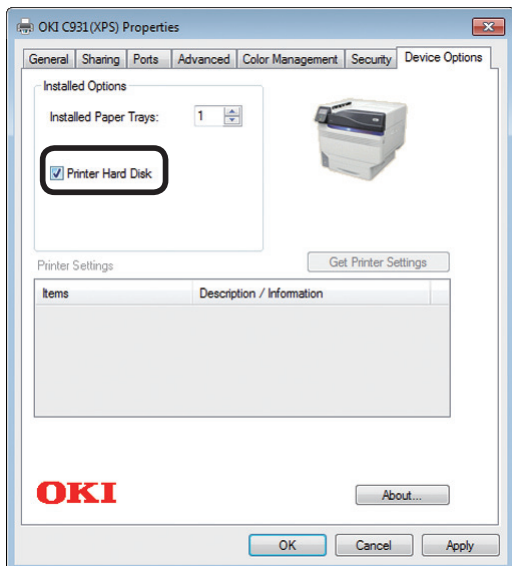
If using a USB connection, enter the number of trays minus the multi-purpose tray in [Installed Paper Trays]. For example, if three expansion trays are mounted, the usable trays are trays 1/2/3/4, so enter "4".



□ Adding the Built-in HDD

4 If using a network connection, click [Get Printer Settings].

If using a USB connection, enable the [Printer Hard Disk] check box.



5 Click [OK].

■ Mac OS X PS Printer Drivers

! Note

- This section describes the operations procedures for Mac OS X 10.8 unless otherwise specified. Screens and operations procedures may differ depending on the version.

1 Select [System Preferences] from the Apple menu.

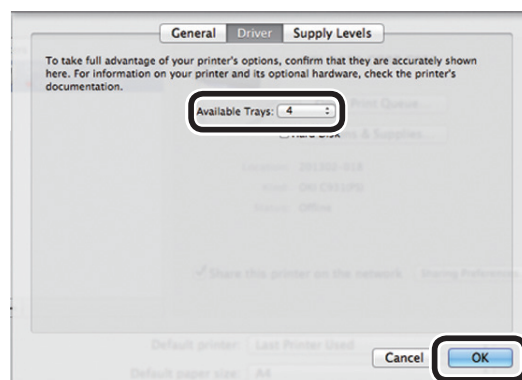
2 Click [Print & Scan].

3 Select the printer, and click [Options and Supplies].

4 Select the [Driver] tab.

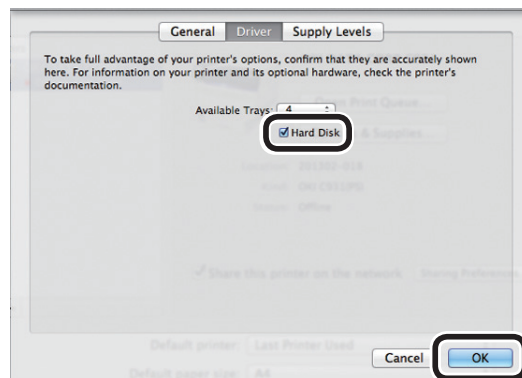
□ Adding an Expansion Tray Unit

5 Select the correct value for [Available Trays], and click [OK].



□ Adding the Built-in HDD

5 Enable the [Hard Disk] check box, and click [OK].



6 Click [OK].

■ Memo

1

Before use

2

Setting Up

3

Printing

4

Basic Device Operations

Appendix

Index

3. Printing

This chapter explains the methods from setting the paper in the device to actual printing.

● Paper

Usable Paper Types

For high-quality printing it is necessary to use paper that satisfies conditions regarding quality, thickness, paper finish, etc. If printing on paper not recommended by OKI, thoroughly test the print quality and paper traveling performance, etc., and check that there are no impediments before use.

If using a (paper) medium that is curled or wrinkled before printing, print quality and paper traveling performance cannot be assured.

1

Before Use

2

Setting Up

3

Printing

4

Basic Device Operations

Appendix

Index

■ Paper Types, Size, and Thickness

! Note

- Paper sources and output are restricted by paper type, size, and thickness.

Type	Size unit: mm (inches)		Thickness
Plain paper	A3Nobi	328×453	GSM paper weight 52-360g/m ² (ream weight 45-309kg) Paper under GSM paper weight 52 to 64g/m ² (ream weight less than 45 to 55kg) and GSM paper weight 320 to 360g/m ² (ream weight 275 to 309m ²) paper cannot be used for 2-sided printing. ! Note <ul style="list-style-type: none"> If the paper size settings satisfy the following conditions, print speed will be slowed. Paper size: A6, A5; paper width 216mm (letter width) max.
	A3Wide	320×450	
	A3	297×420	
	A4 Wide	225×320	
	A4	210×297	
	A5	148×210	
	A6	105×148	
	B4	257×364	
	B5	182×257	
	B6	128×182	
	B6 Half*1	64×182	
	Letter	215.9×279.4 (8.5×11)	
	Legal (13 inch)	215.9×330.2 (8.5×13)	
	Legal (13.5 inch)	215.9×342.9 (8.5×13.5)	
	Legal (14 inch)	215.9×355.6 (8.5×14)	
	Executive	184.2×266.7 (7.25×10.5)	
	Tabloid Extra	304.8×457.2 (12×18)	
	Tabloid	279.4 × 431.8 (11 × 17)	
	Statement	139.7 × 215.9 (5.5 × 8.5)	
	13 × 18 inch	330.2 × 457.2	
	16K (184×260mm)	184×260	
16K (195×270mm)	195×270		
16K (197×273mm)	197×273		
8K (260×368mm)	260×368		
8K (270×390mm)	270×390		
8K (273×394mm)	273×394		
Custom*2	Width 64 to 330 Length 89 to 1321	GSM paper weight 52-360g/m ² (ream weight 45-309kg) Paper with widths from 99.0 to 330.0mm and lengths from 147 to 483.0mm can be used for 2-sided printing.	
Hagaki	Hagaki	100×148	Japanese Postcard These can be used for 2-sided printing.
	Oufuku Hagaki	148×200	
	4-Ren Hagaki	200 × 296	

*1: B6 half size cannot be used for 2-sided printing.

*2: Paper with widths from 99.0mm to 330.0mm and lengths from 147 to 483.0mm can be used for 2-sided printing.

Type	Size unit: mm (inches)		Thickness	
Envelopes*	Younaga #3	120×235	Using GSM weight 85g/m ² paper	
	Kakugata #6	162 × 229		
	Nagagata #3	120×235		
	Nagagata #4	90×205		
	Nagagata #40	90×225		
	Yougata #0	120×235		
	Yougata #2	114×162		
	Yougata #4	105×235		
	Kakugata #6	162 × 229		
	Kakugata #2	240×332		
	Kakugata #3	216×277		
	Younaga #3	120 × 235		
	Kakugata #8	119×197		
	Com-9	98.4×226.1 (3.875×8.875)		24LB paper is used, with flaps firmly creased
	Com-10	104.8×241.3 (4.125×9.5)		
	Monarch	98.4×190.5 (3.875×7.5)		
DL	110×220 (4.33×8.66)			
C5	162×229 (6.4×9)			
C4	229×324 (9×12.8)			
Labels	A4		0.1 to 0.2mm	
	Letter			
Glossy	A4	210 × 297		
	A3	297 × 420		
	A3Nobi	328 × 453		
Partially printed paper	Equivalent to plain paper.		GSM paper weight 52-360g/m ² (ream weight 45-309kg)	
Color paper	Equivalent to plain paper.		GSM paper weight 52-360g/m ² (ream weight 45-309kg)	
Transparency	A4		0.1 to 0.125mm	
	Letter			
Index Card*	Index Card	76.2×127 (3×5)		

*: 2-sided printing is not possible on envelopes or index cards.

Paper Feed and Output Methods Selectable for Each Paper type

O: Usable

X: Not usable

Type	Size	Thickness	Settable tray			Output bin	
			Multi-purpose tray	Tray 1	Trays 2 to 5 (Optional)	Face-up	Face-down
Plain paper (With 2-sided printing)	A3Nobi, A3Wide, A3, A4Wide, A4, A5, A6, B4, B5, B6, Letter, Legal13, Legal13.5, Legal14, Executive, Tabloid Extra, Tabloid, Statement, 16K (184x260mm), 16K (195x270mm), 16K (197x273mm), 8K (260x368mm), 8K (270x390mm), 8K (273x394mm), 13"×18"	GSM 64 to 320 g/m ²	O	O	O	O	O
	Custom (Width 90 to 330mm, length 147 to 457mm)	GSM 64 to 320 g/m ²	O	O	O	O	O
	Custom (Width 64mm min., less than 90mm; length greater than 457mm to 483mm max.)	GSM 64 to 320 g/m ²	O	X	X	O	X
Plain paper (With 1-sided printing)	A3Nobi, A3Wide, A3, A4, A5, A6, B4, B5, B6, B6 Half, Letter, Legal13, Legal13.5, Legal14, Executive	GSM 52 to 320 g/m ²	O	O	O	O	O
	Tabloid Extra, Tabloid, Statement, 16K (184x260mm), 16K (195x270mm), 16K (197x273mm), 8K (260x368mm), 8K (270x390mm), 8K (273x394mm), 13"×18" ^{*1}	GSM larger than 320 up to 360g/m ² max.	O	X	X	O	X
	Custom (Width 90 to 330mm, length 147 to 457mm)	GSM 52 to 320 g/m ²	O	O	O	O	O
	Custom (Width 64mm min., less than 90mm; length greater than 483mm to 1321mm max.)	GSM 52 to 320 g/m ²	O	X	X	O	X
	Custom (Width 64 to 330mm, length 89 to 1321mm)	GSM larger than 320 up to 360g/m ² max.	O	X	X	O	X

Type	Size	Thickness	Settable tray			Output bin	
			Multi-purpose tray	Tray 1	Trays 2 to 5 (Optional)	Face-up	Face-down
Postcard ^{*2}	Hagaki, Oufuku Hagaki 4-Ren Hagaki ^{*1}	-	0	0	0	0	0
Envelope ^{*2}	Nagagata #3, Nagagata #4, Nagagata #40, Yougata #0, Yougata #2 (C6), Yougata #4, Kakugata #2, Kakugata #3, Kakugata #6 ^{*1} , Kakugata #8, Younaga #3 ^{*1}	Using GSM weight 85g/m ² paper	0	X	X	0	X
	Com-9, Com-10, Monarch, DL, C5, C4	Uses 24Lb paper	0	X	X	0	X
Labels ^{*2}	A4, Letter	-	0	0	X	0	X
Glossy ^{*2}	A4, A3, A3Nobi	GSM 128g/m ² (ream paper 110kg)	0	0	0	0	0
Transparency ^{*2}	A4, Letter	-	0	0	X	0	X
Index cards	76.2mm×127mm (3"×5")		0	X	X	0	X

*1: Use the printer control panel to set the paper size of the tray used to [Custom], and set [Paper width] and [paper length] to the values shown in the table below. Use the printer drivers to select the values from the table below.

Paper Size	Device Setup		Setting the printer driver [Paper size]
	Paper width (mm)	Paper length (mm)	
13"×18"	330	475	13 × 18in
4-Ren Hagaki	200	296	4-Ren Hagaki
Kakugata #6	162	229	Kakugata #6
Younaga #3	120	235	Younaga #3

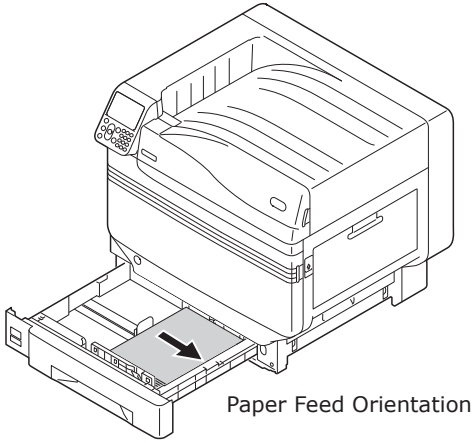
*2: Print speed is slower for postcards, envelopes, labels, glossy paper, and transparencies.

Note

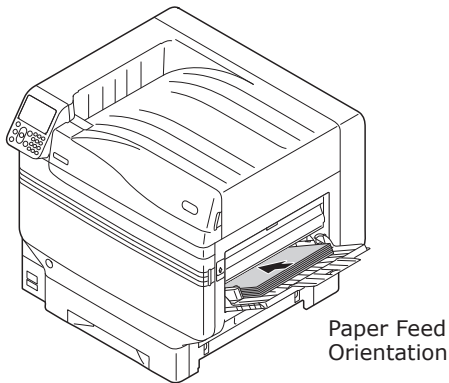
- If setting paper in the tray horizontally (☐), print speed will be slower than if set vertically (☐).
- Printing will be slower if the paper size set is A6 or A5 size, or has a smaller width than 148mm (A5 width).

☐ (Landscape) and ☐ (Portrait) Icons

☐ icon describes placing the paper vertically as viewed from the front of the printer. (Paper is fed horizontally.)

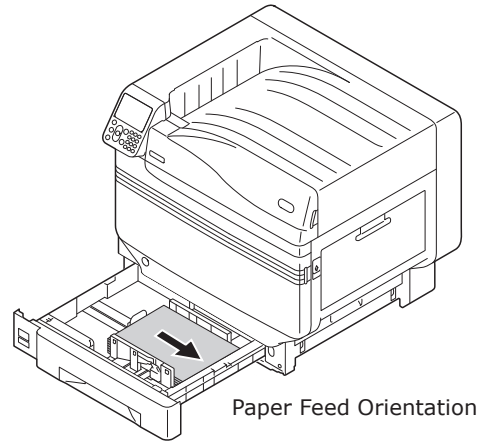


Trays

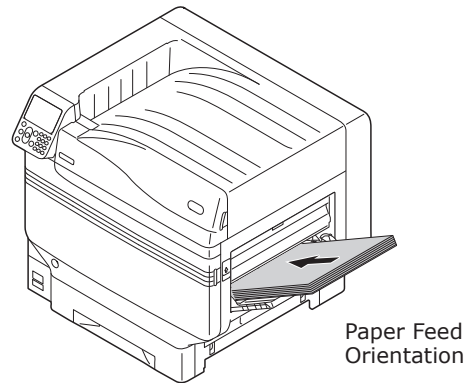


Multi-Purpose Tray

☐ icon describes placing the paper horizontally as viewed from the front of the printer. (Paper is fed vertically.)



Trays



Multi-Purpose Tray

Paper of the following sizes can be set either horizontally or vertically.

- The three types of A5, B5, and 16K, and A4 wide

● Printing from Trays

With the exception of some paper sizes, the printer automatically detects the size of paper set in trays 1 to 5*. Further, only the width of the paper size is automatically detected.

*: Trays 2 to 5 are optional.

Memo

- The printer does not automatically detect the following paper sizes.
 - A3NOBI, tabloid extra, A3WIDE, 13×18"
 - A5, A6
 - postcards, Japanese double postcards
 - legal13.5, legal14
 - custom

If the printer does not detect automatically, use the control panel to set the paper size. For details, see ["Setting Paper Using the Control Panel"](#) (P.98).

- Set 13x18" as custom size.

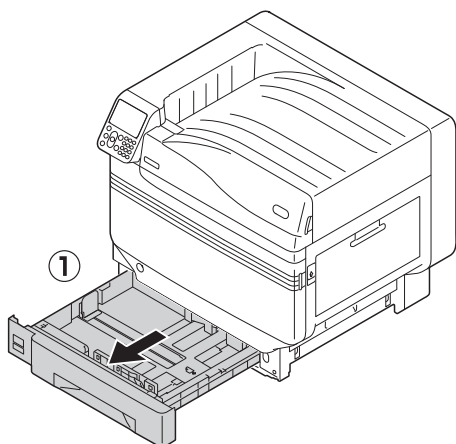
Setting Paper in Trays 1 to 5

This section explains how to set paper in tray 1 or trays 2/3/4/5.

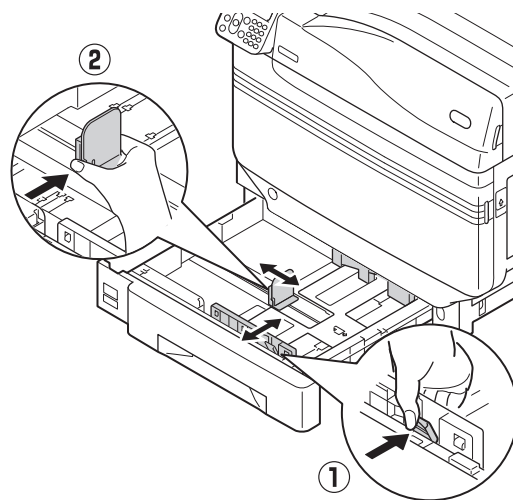
Memo

- Setting paper in tray 1 is used here as an example. Set trays 2 to 5 using the same procedure.

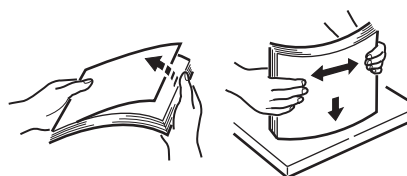
1 Pull out the tray 1 paper cassette (①).



2 Slide the paper guide (①) and paper stopper (②) to align to the size of the paper that has been set.

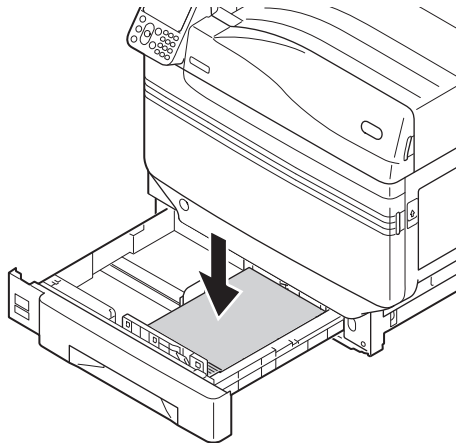


3 Thoroughly sort the paper. Carefully align the ends of the paper horizontally.



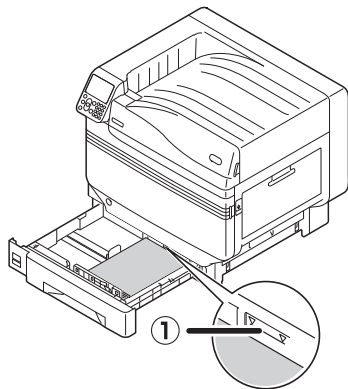
1	Before Use
2	Setting Paper
3	Printing
4	Basic Device Operations
	Appendix
	Index

4 Set the paper with the print surface face-down.



Note

- Do not exceed the "▽" symbol (1) on the paper guide when setting the paper.

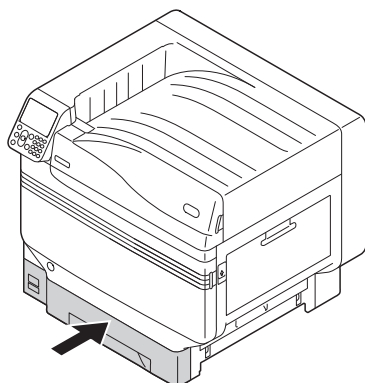


Memo

- Set so there is no gap between the paper and the paper guide or paper stopper.

5 Use the paper guide to secure the paper.

6 Return the paper cassette to the tray.



Printing from Trays

Open the file to be printed on the PC, and select [Paper Size], [Paper Source], and [Media Weight] to print via the paper driver.

This section explains how to print using "Tray 1" or "Auto" from the following printer drivers.

- Windows PS printer driver
- Windows PCL printer driver (P.95)
- Windows XPS printer driver (P.96)
- Mac OS X printer driver (P.97)

Further, this explanation uses "WordPad" for Windows as the application used. For Mac OS X, the example uses "TextEdit".

Reference

- For how to install the printer drivers, see ["Connecting the PC" \(P.61\)](#).
- For how to print from the multi-purpose tray, see ["Printing from the Multi-Purpose Tray" \(P.98\)](#).

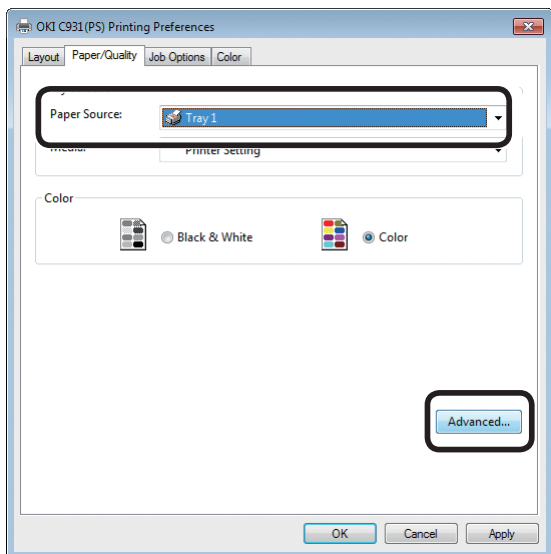
Memo

- Select [Auto] in [Paper Source] to automatically select the tray holding the designated paper.

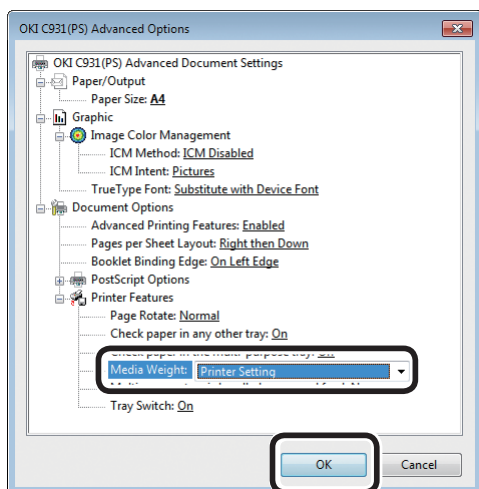
■ Using Windows PS Printer Drivers

- Open the file to be printed using WordPad.
- Click [Page Setup] in the [File] menu.
- Select the paper size and print orientation, and click [OK].
- Click [Print] in the [File] menu.
- Click [Advanced] (or [Properties]).

- Use [Paper Source] in the [Paper/Quality] tab to select the tray to be used, and click [Advanced].



- Select a suitable value from [Media Weight] in the [Advanced Options] screen, and then click [OK].



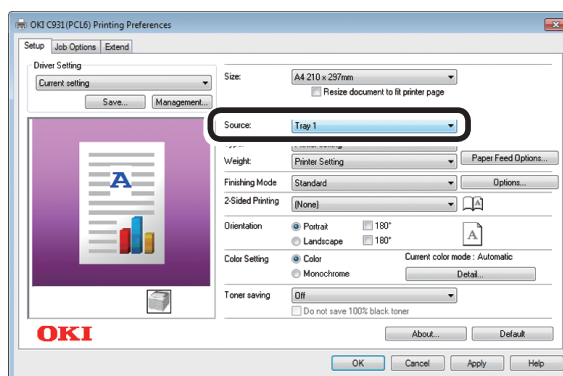
Memo

- Normally, select [Printer Setting]. Select [Printer Setting] to use the values set using the printer control panel.
- If outputting to the face-up staker, open the printer face-up staker, and select [Stacker (Face-Up)] in [Output Bin].

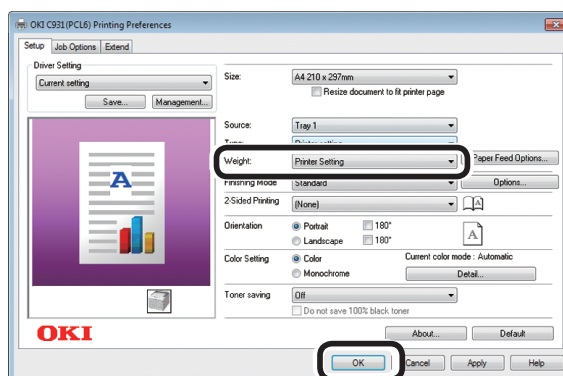
- Click [OK] in the "Printing preferences" screen.
- Click [Print] in the "Print" screen to print.

■ Using Windows PCL Printer Drivers

- Open the file to be printed using WordPad.
- Click [Page Setup] in the [File] menu.
- Select the paper size and print orientation, and click [OK].
- Click [Print] in the [File] menu.
- Click [Preferences].
- Select [Tray 1] in [Source] in the [Setup] tab.



- Select a suitable value in [Weight], and click [OK].



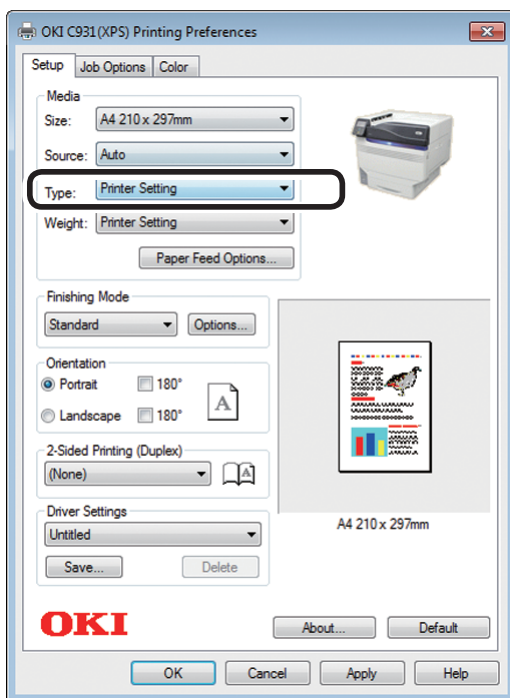
Memo

- Normally, select [Printer Setting]. Select [Printer Setting] to use the values set using the printer control panel.

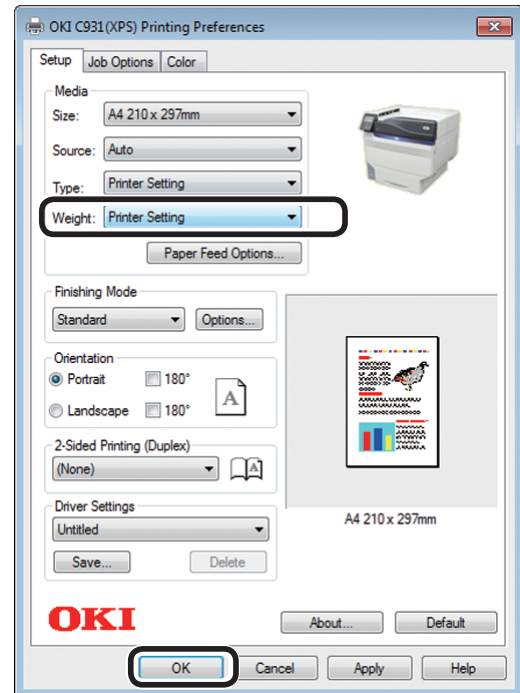
- Click [Print] in the "Print" screen to print.

■ Using Windows XPS Printer Drivers

- 1 Open the file to be printed using WordPad.
- 2 Click [Page setup] in the [File] menu.
- 3 Select the paper size and print orientation, and click [OK].
- 4 Click [Print] in the [File] menu.
- 5 Click [Preferences].
- 6 Select [Type] in the [Setup] tab.



- 7 Select [Weight], and click [OK].



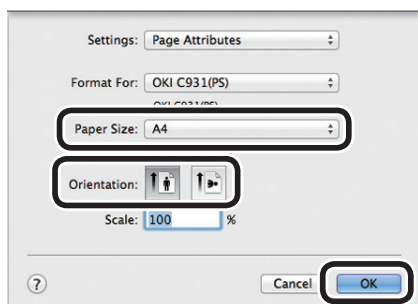
Memo

- Normally, select [Printer Setting]. Select [Printer Setting] to use the values set using the printer control panel.

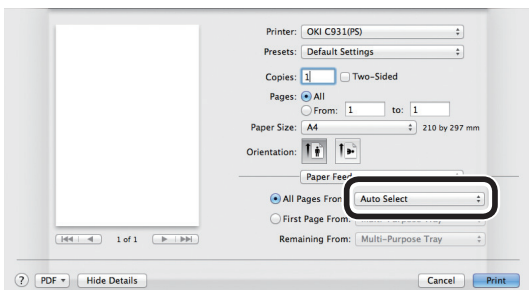
- 8 Click [Print] in the "Print" screen to print.

■ Using Mac OS X Printer Drivers

- 1 Open the file to be printed using TextEdit.
- 2 Click [Page Setup] in the [File] menu.
- 3 Select the paper size and print orientation using the page setup dialog box, and click [OK].

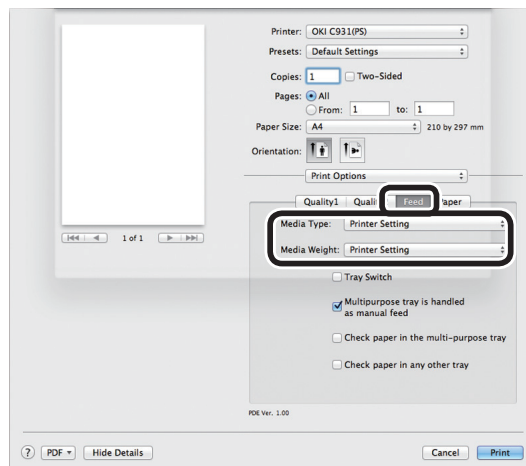


- 4 Select [Print] in the [File] menu.
- 5 Select [Paper Feed] in the print dialog box.
- 6 Check that [Auto Select] has been selected.



- 7 Select [Print Options] using the print dialog box.

- 8 Click the [Feed] tab in the printer setup panel, and select [Media Type] and [Media Weight].



Memo

- Normally, select [Printer Setting]. Select [Printer Setting] to use the values set using the printer control panel.

- 9 Click [Print] to print.

● Printing from the Multi-Purpose Tray

1 Before Use
2 Setting Up
3 Printing
4 Basic Device Operations
Appendix
Index

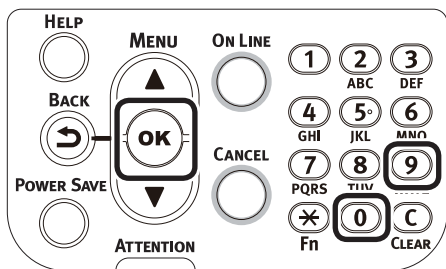
Setting Paper in the Multi-Purpose Tray

Setting Paper Using the Control Panel

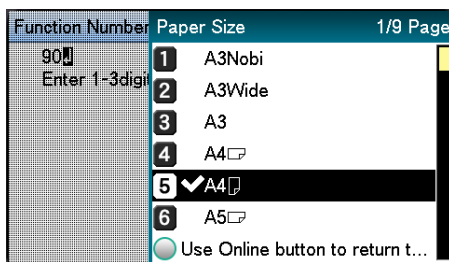
If the paper size is "Envelope" or "Custom Size", use the control panel to set the paper size.

1 Press the [Fn] key.
The numerical value input screen will be displayed.

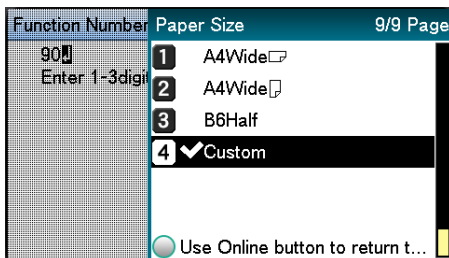
2 Press [9], [0], and click the [OK] button.



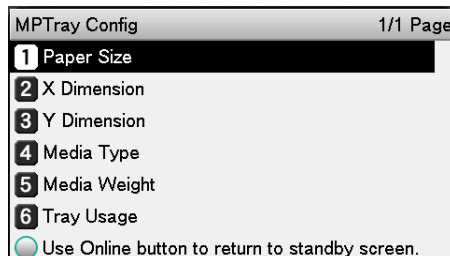
3 Select "Paper Size", and click the [OK] button.



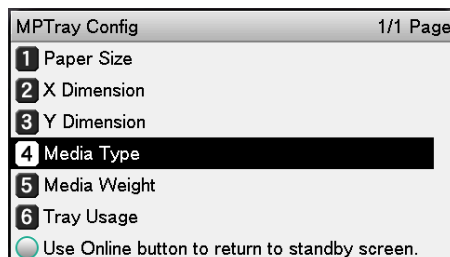
4 Press the scroll buttons ▲▼ to select the size of the paper that has been set, and press the [OK] button.



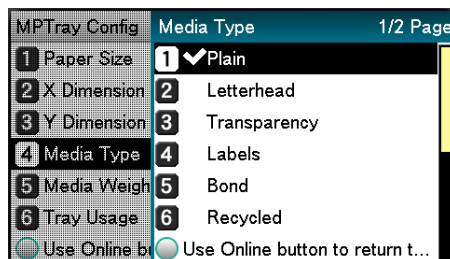
5 Press the [BACK] button to return to the previous screen.



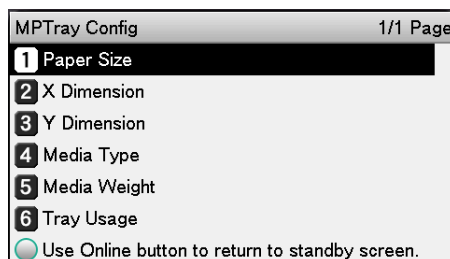
6 Select [Media Type], and press the [OK] button.



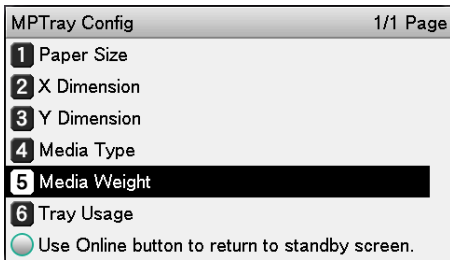
7 Press the scroll buttons ▲▼ to select the type of paper that has been set, and click the [OK] button.



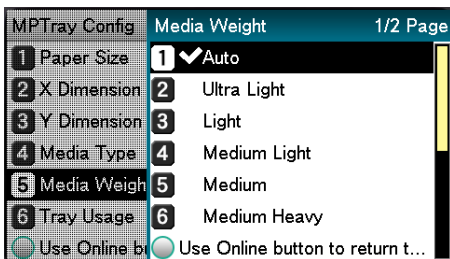
8 Press the [BACK] button to return to the previous screen.



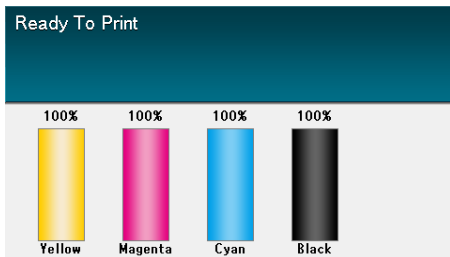
9 Select [Media Weight], and press the [OK] button.



10 Press the scroll buttons ▲▼ to select the size of the paper that has been set, and press the [OK] button.



11 Press the [BACK] button several times to return to the standby screen.



Memo

- Press the [CANCEL] button to return to the standby screen.

Setting Paper

The multi-purpose tray prints to the face-up side of the paper that has been set.

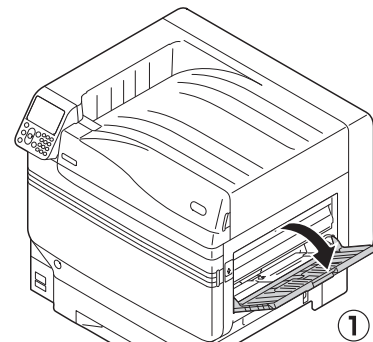
Note

- Do not collate and set paper of different sizes, types, and thicknesses at the same time.

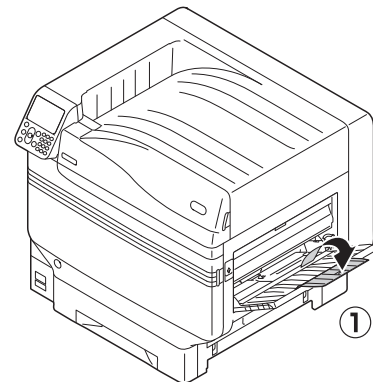
Memo

- If setting custom size paper, it is necessary to register the size. For details, see "Advanced".

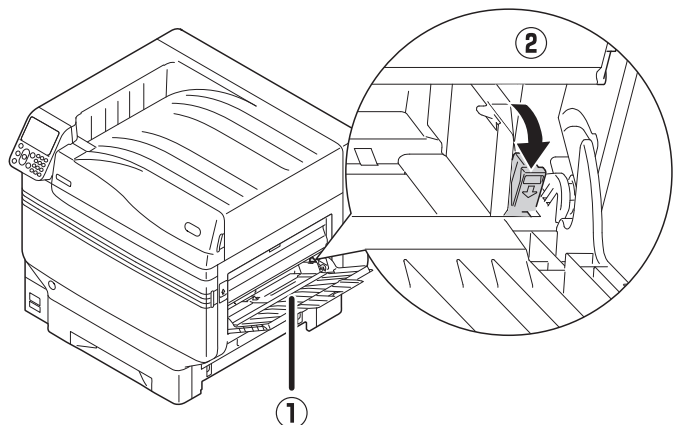
1 Open the multi-purpose tray (1) towards you.



2 Open the auxiliary supporter (1).



3 Pull the setting lever (2) on the right of the paper supporter (1) towards you.



1 Before Use

2 Setting Paper

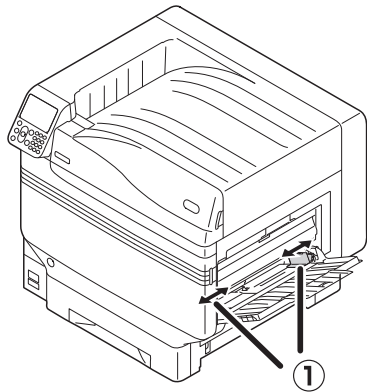
3 Printing

4 Basic Device Operations

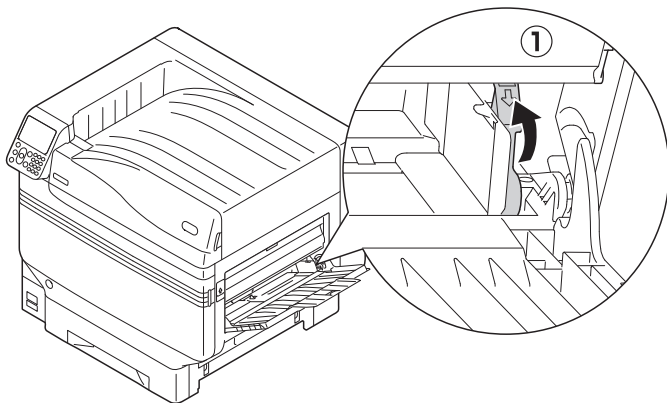
Appendix

Index

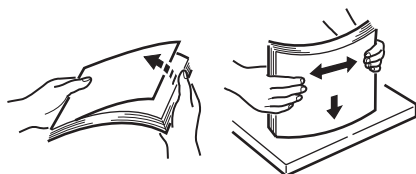
4 Adjust the paper guide (①) to the width of the paper that has been set.



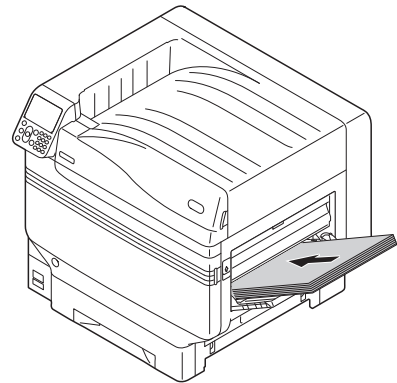
5 Release and return the setting lever (①) to its original position.



6 Thoroughly sort the paper. Carefully align the ends of the paper horizontally.

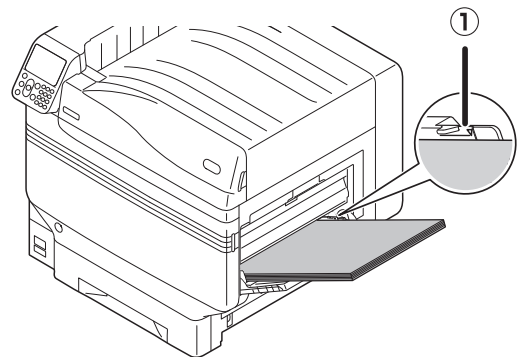


7 Place the print side face-up, and set the paper.



Note

- Do not set the paper beyond the MP paper guide (①).

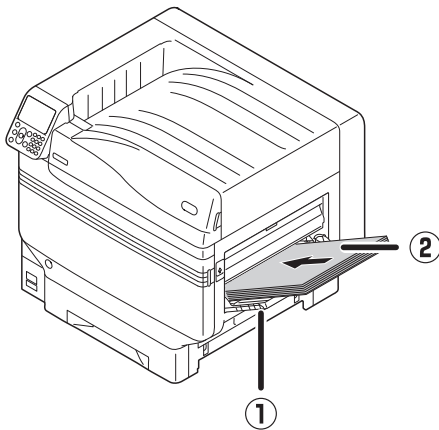


- When adding paper, remove the paper in the multi-purpose tray, and align the additional paper top, bottom, left, and right before setting.
- Do not place anything other than the paper to be printed on the multi-purpose tray, apply pressure from above, or apply unnecessary force.

Printing from the Multi-Purpose Tray

Print to the paper set in the multi-purpose tray. The main operating procedures are described below.

- 1 Set the paper in the multi-purpose tray (1) (2).



- 2 Open the file to be printed.
- 3 Specify the [Multi-Purpose Tray] using the printer drivers to print.

This section explains how to print using the multi-purpose tray from the printer drivers.

- Windows PS printer driver
- Windows PCL printer driver (P.103)
- Windows XPS printer driver (P.104)
- Mac OS X printer driver (P.105)

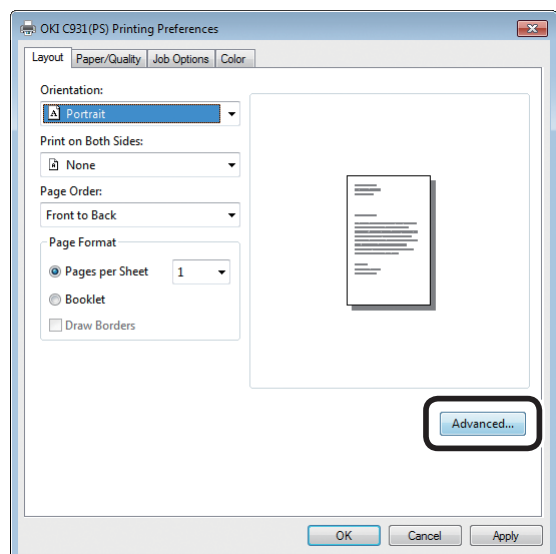
Further, this explanation uses "WordPad" for Windows as the application used. For Mac OS X, the example uses "TextEdit".

Reference

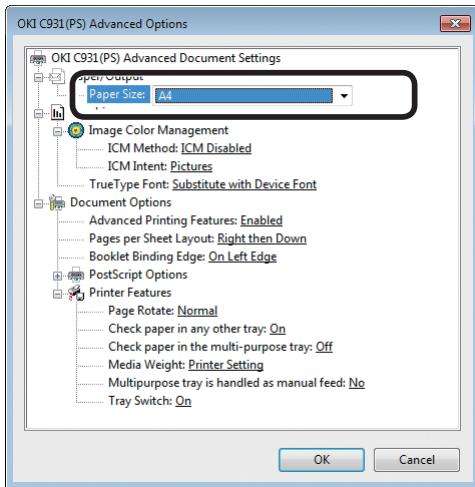
- For how to install the printer drivers, see "Connecting the PC" (P.61).

■ Using Windows PS Printer Drivers

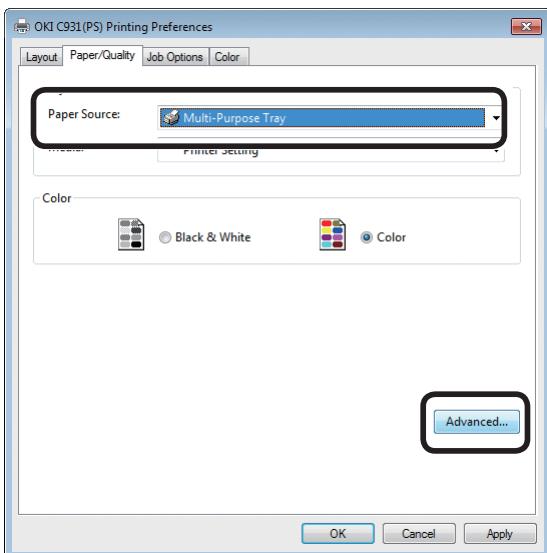
- 1 Open the file to be printed using WordPad.
- 2 Click [Page setup] in the [File] menu.
- 3 Select the paper size and print orientation, and click [OK].
- 4 Click [Print] in the [File] menu.
- 5 Click [Preferences].
- 6 Click [Advanced] in the [Layout] tab.



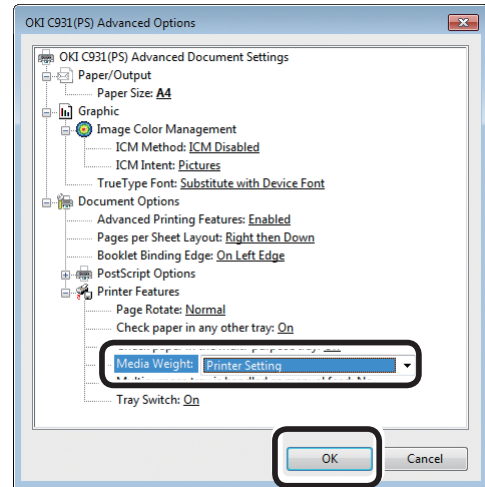
7 Select [Paper Size] from [Paper/Output] in the [Advanced Options] tab.



8 Select [Multi-Purpose Tray] in [Paper Source] in the [Paper/Quality] tab, and click [Advanced].



9 Select a suitable value from [Media Weight] in the [Advanced Options] screen, and then click [OK].



Memo

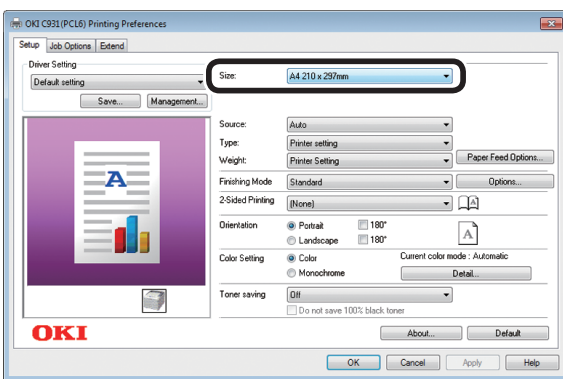
- Normally, select [Auto]. Select [Auto] to use the value set using the printer control panel.
- To print pages individually, set [Multipurpose tray is handled as manual feed] to [Yes].

10 Click [OK] in the "Printing Preferences" screen.

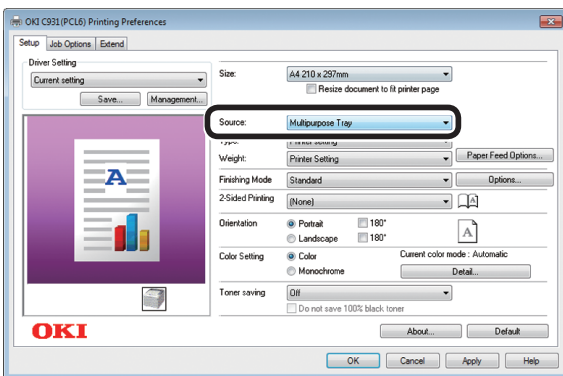
11 Click [Print] in the "Print" screen to print.

■ Using Windows PCL Printer Drivers

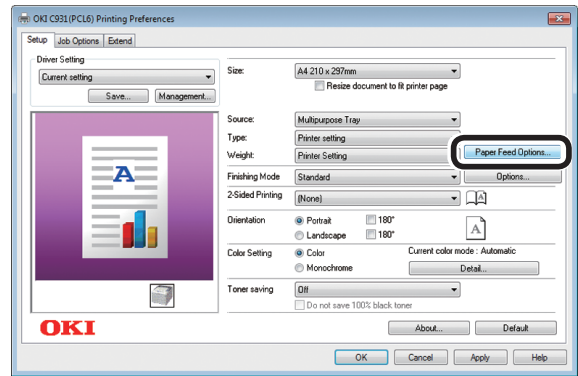
- 1 Open the file to be printed using WordPad.
- 2 Click [Page setup] in the [File] menu.
- 3 Select the paper size and print orientation, and click [OK].
- 4 Click [Print] in the [File] menu.
- 5 Click [Preferences].
- 6 Select [Size] in the [Setup] tab.



- 7 Select [Multipurpose Tray] in [Source].

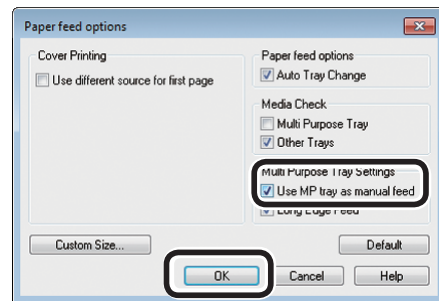


- 8 Click [Paper Feed Options].

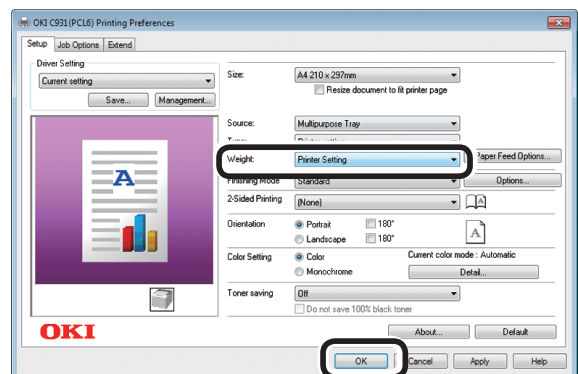


Memo

- To print pages individually, enable [Use MP tray as manual feed] in [Multi Purpose Tray Settings], and click [OK].



- 9 Select a suitable value in [Weight], and click [OK].



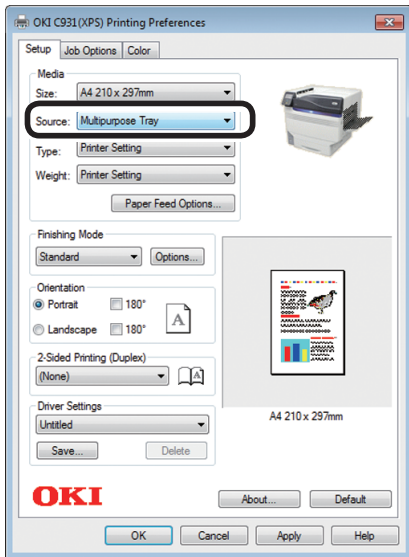
Memo

- Normally, select [Printer Setting]. Select [Printer Setting] to use the values set using the printer control panel.

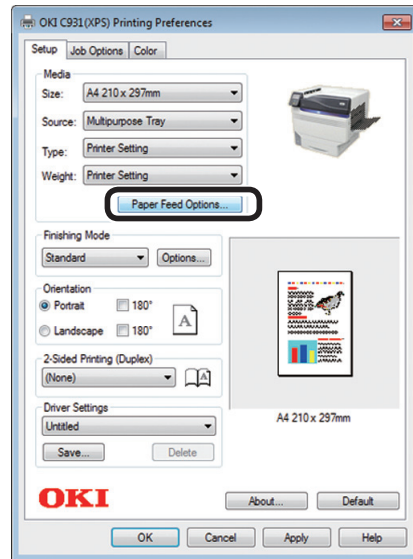
- 10 Click [Print] in the "Print" screen to print.

■ Using Windows XPS Printer Drivers

- 1 Open the file to be printed using WordPad.
- 2 Click [Page setup] in the [File] menu.
- 3 Select the paper size and print orientation, and click [OK].
- 4 Click [Print] in the [File] menu.
- 5 Click [Preferences].
- 6 Select [Multipurpose Tray] in [Source] in the [Setup] tab.

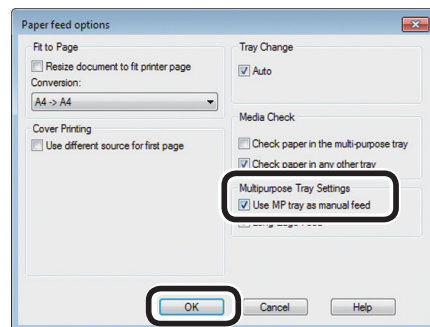


- 7 Click [Paper Feed Options].

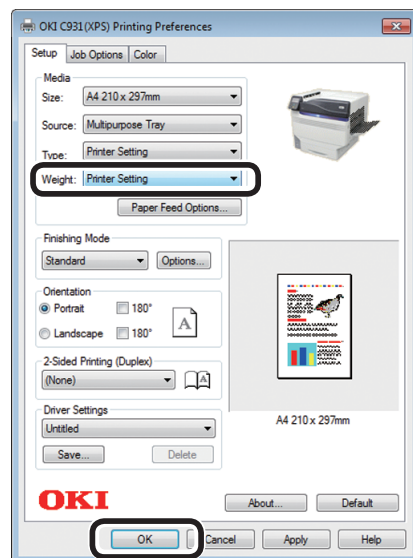


Memo

- To print pages individually, enable [Use MP tray as manual feed] in [Multipurpose Tray Settings], and click [OK].



- 8 Select a suitable value in [Weight], and click [OK].



Memo

- Normally, select [Printer Setting]. Select [Printer Setting] to use the values set using the printer control panel.

- 9 Click [Print] in the "Print" screen to print.

1 Before Use

2 Setting Up

3 Printing

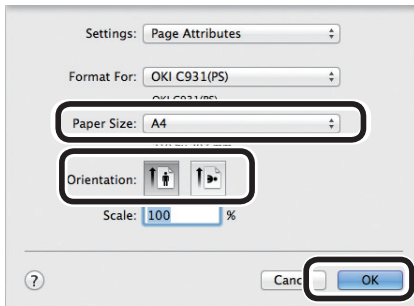
4 Basic Device Operations

Appendix

Index

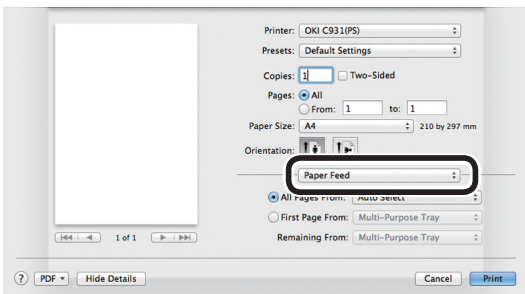
■ Using Mac OS X Printer Drivers

- 1 Open the file to be printed using TextEdit.
- 2 Click [Page Setup] in the [File] menu.
- 3 Select the paper size and print orientation using the page setup dialog box, and click [OK].

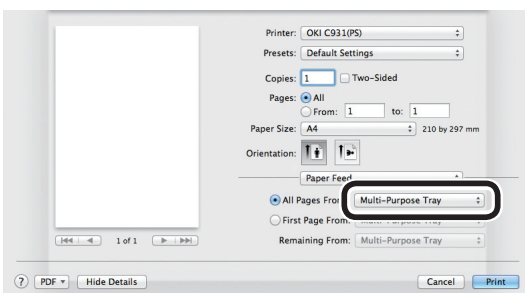


- 4 Select [Print] in the [File] menu.

- 5 Select [Paper Feed] in the print dialog box.



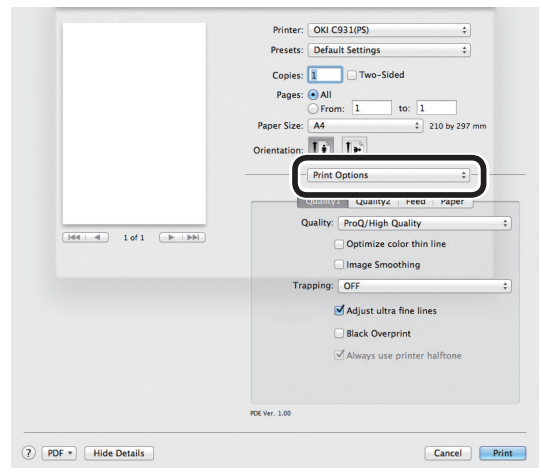
- 6 Select [Multi-Purpose Tray] in [All Pages From].



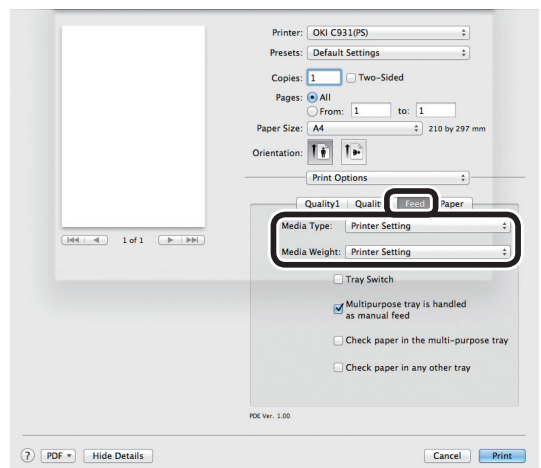
Memo

- Normally, select [Auto]. Select [Auto] to use the value set using the printer control panel.

- 7 Select [Print Options] using the print dialog box.



- 8 Click the [Feed] tab in the printer setup panel, and select [Media Type] and [Media Weight].



- 9 Click [Print] to print.

● Outputting Paper

The printer outputs the paper either to the face-down stacker or the face-up stacker. The face-down stacker can accumulate approx. 620 sheets of GSM 64g/m² paper. The face-up stacker can accumulate approx. 300 sheets of GSM 64g/m² paper.

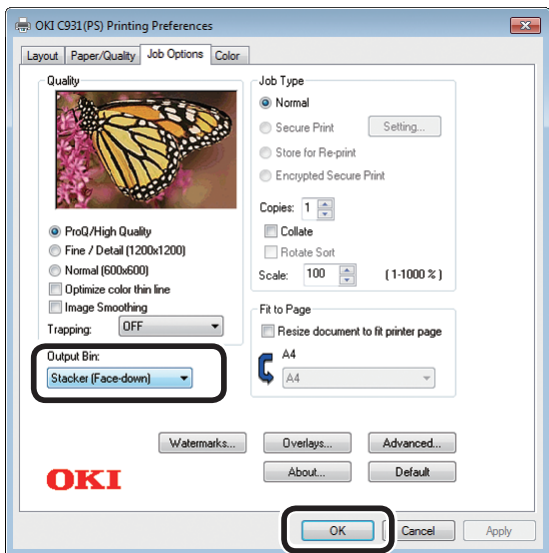
Using the Face-Down Stacker (Print Face Is Down)

The paper is output with the print side face-down. Papers are stacked in the order in which they are printed.

To output from the face-down stacker, specify the face-down stacker in "Output Bin" using the printer

■ Using Windows PS Printer Drivers

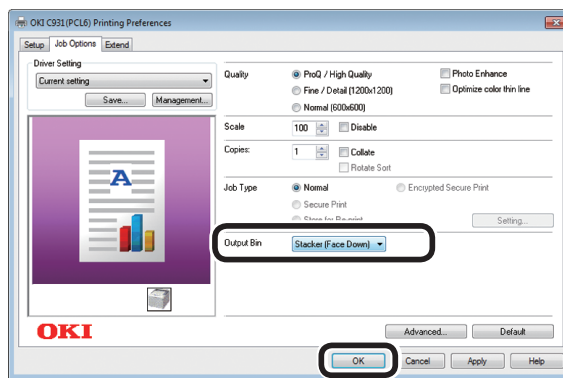
- 1 Open the file to be printed.
- 2 Click [Preferences] in the "Print" screen.
- 3 Select [Stacker (Face-down)] in [Output Bin] in the [Job Options] tab, and click [OK].



- 4 Implement printing.

■ Using Windows PCL Printer Drivers

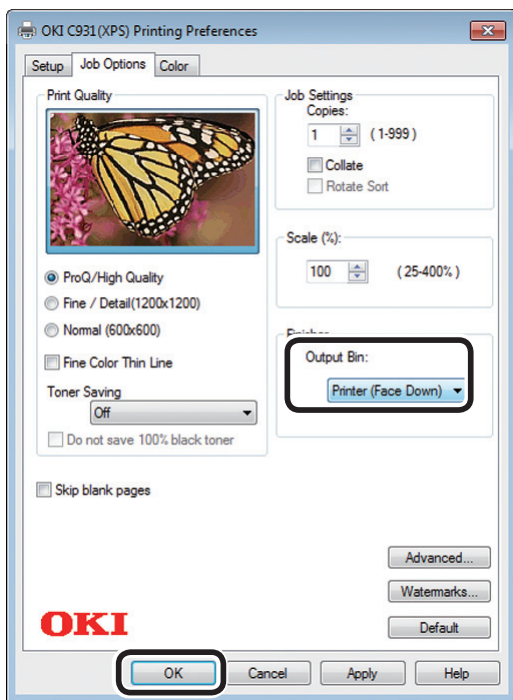
- 1 Open the file to be printed.
- 2 Click [Preferences] in the "Print" screen.
- 3 Select [Stacker (Face Down)] in [Output Bin] in the [Job Options] tab, and click [OK].



- 4 Implement printing.

■ Using Windows XPS Printer Drivers

- 1 Open the file to be printed.
- 2 Click [Preferences] in the "Print" screen.
- 3 Select [Printer (Face Down)] in [Output Bin] in the [Job Options] tab, and click [OK].



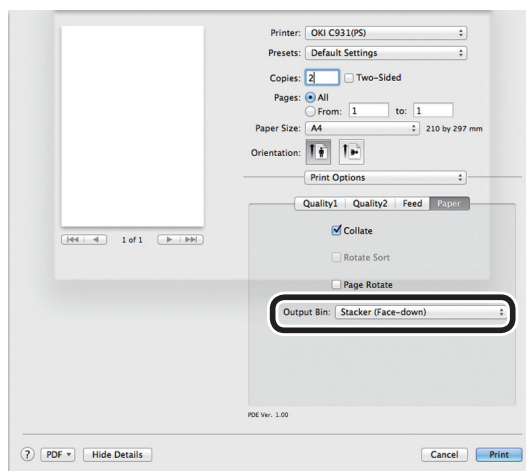
- 4 Implement printing.

■ Using Mac OS X Printer Drivers

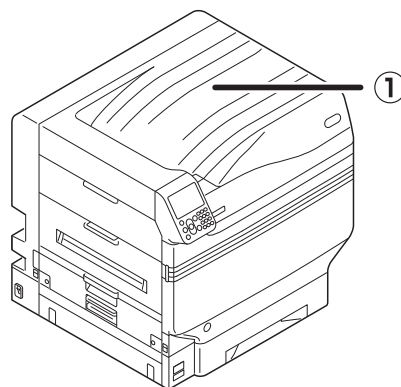
Memo

- This section uses "TextEdit" as an example.

- 1 Open the file to be printed.
- 2 Select [Print] in the [File] menu.
- 3 Select [Print Options] using the print dialog box.
- 4 Select [Stacker (Face-down)] in [Output Bin] in the [Paper] tab.



- 5 Click [Print] to print.
- 6 The printed paper will be output to the face-down stacker (output tray) (1).



1 Before Use

2 Setup

3 Printing

4 Basic Device Operations

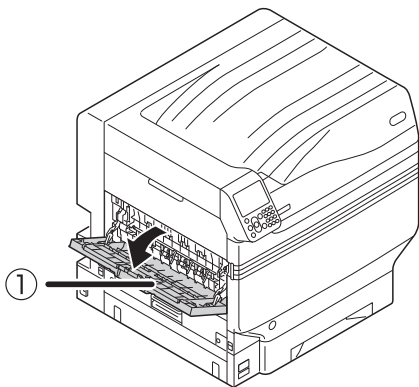
Appendix

Index

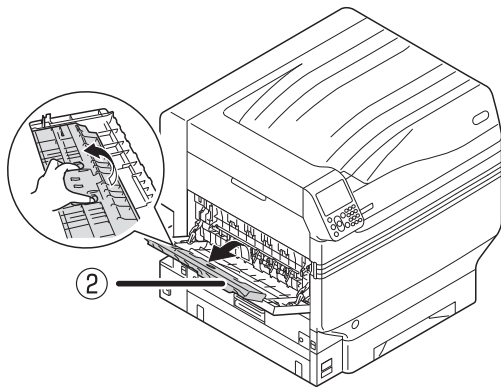
Using the Face-Up Stacker (Print Face Is Up)

The paper is output with the print side face-up. Paper is stacked in the reverse order from printing. To output from the face-up stacker, specify the face-up stacker in [Output Bin] using the printer drivers.

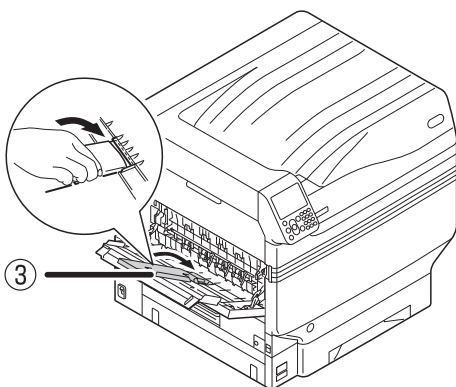
- 1 Open the face-up stacker (①) on the left of the printer.



- 2 Open the paper supporter (②) as shown in the diagram.



- 3 Rotate the auxiliary supporter (③) in the direction of the arrow until its lock position.

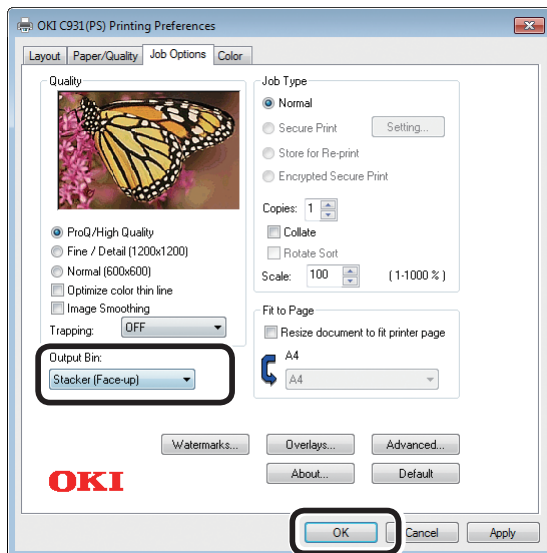


- 4 Open the file to be printed. Customers using Mac OS X go to "Using Windows PS Printer Drivers" Step 5.

- 5 Click [Advanced] in the "Print" screen.

■ Using Windows PS Printer Drivers

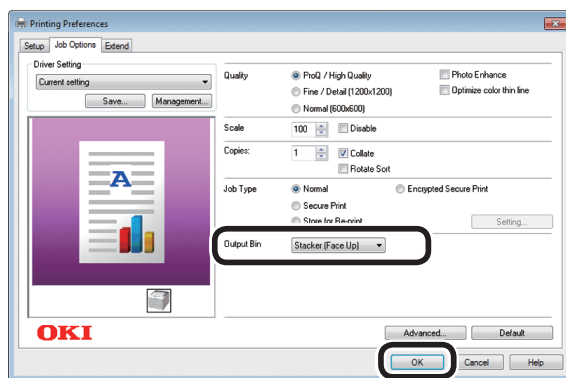
- 6 Select [Stacker (Face-up)] in [Output Bin] in [Job Options], and click [OK].



- 7 Implement printing.

■ Using Windows PCL Printer Drivers

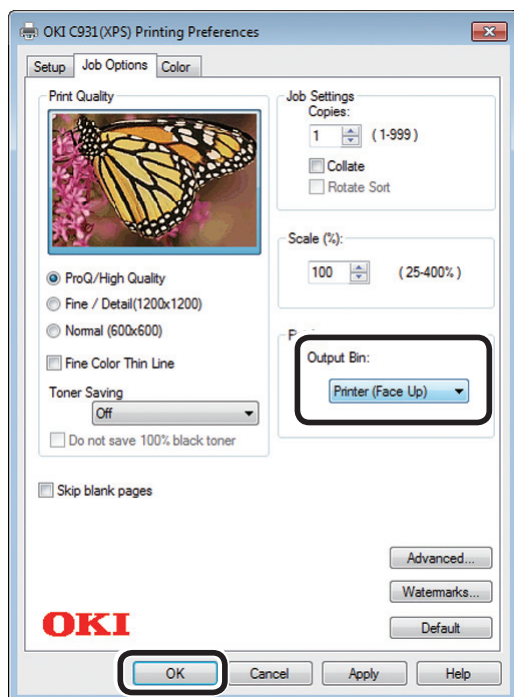
- 6 Select [Stacker (Face Up)] in [Output Bin] in [Job Options], and click [OK].



- 7 Implement printing.

■ Using Windows XPS Printer Drivers

- 6 Select [Printer (Face Up)] in [Output Bin] in [Job Options], and click [OK].



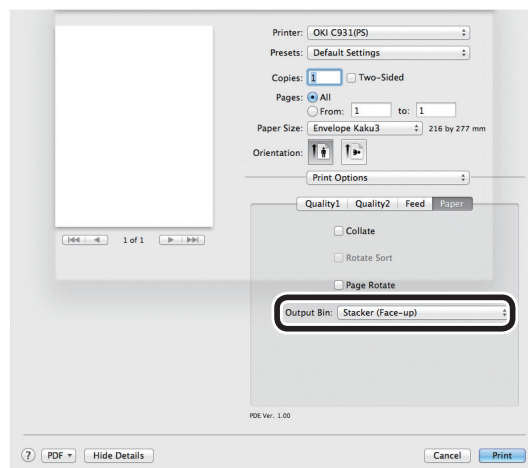
- 7 Implement printing.

■ Using Mac OS X Printer Drivers



- This section uses "TextEdit" as an example.

- 5 Select [Print] in the [File] menu.
- 6 Select [Print Options] using the print dialog box.
- 7 Select [Stacker (Face-up)] in [Output Bin] in the [Paper] tab.



- 8 Click [Print] to print.
Printed paper is output to the face-up stacker.

1

Before Use

2

Setting up

3

Printing

4

Basic Device Operations

Appendix

Index

■ Memo

1

Before Use

2

Setting Up

3

Printing

4

Basic Device Operations

Appendix

Index

4. Basic Device Operations

This chapter explains how to set power save mode, which reduces device power consumption, how to check print quantities, the service life of consumables, remaining maintenance unit quantities and service life, and how to cancel printing.

You can set the printer to enter power save mode from the standby screen. Further, you can also set the printer to enter sleep mode from power save mode.

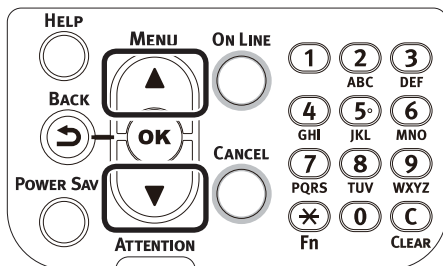
● Setting Power Save Mode

Setting Power Save Mode

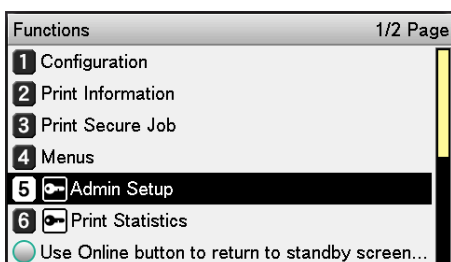
The device can be set to enter power save mode from standby mode when no printing or data has been received after a fixed period of time.

The default factory setting is to enable power save, so implementing this procedure is unnecessary.

- 1 Press the scroll button ▲ or ▼.



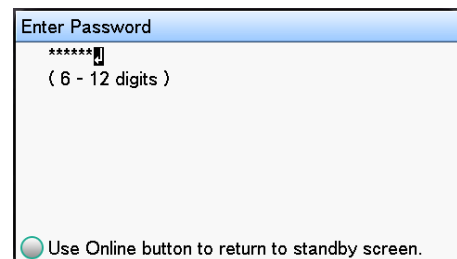
- 2 Select [Admin Setup], and press the [OK] button.



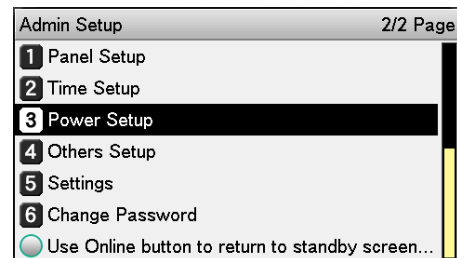
- 3 Enter the administrator password, and press the [OK] button.

Memo

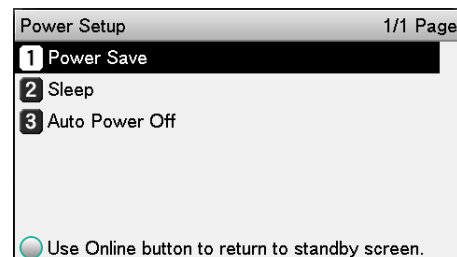
- In the default factory settings, the administrator password is [aaaaaa].



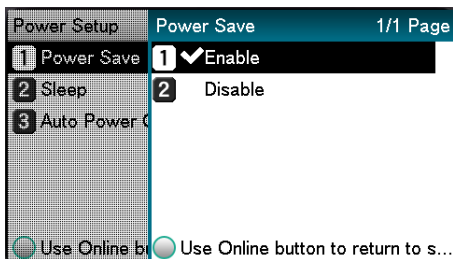
- 4 Select [Power Setup], and press the [OK] button.



- 5 Select [Power Save], and press the [OK] button.



6 Select [Enable], and press the [OK] button.



7 Press the [ON LINE] button to return to the standby screen.



Memo

- Other items can also continue to be set before pressing the [ON LINE] button.

Setting the time before the printer enters power save mode

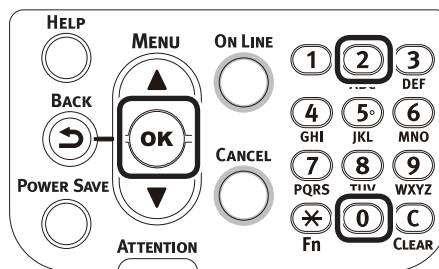
You can set the time until power save mode is entered.

The default factory setting is "1 min."

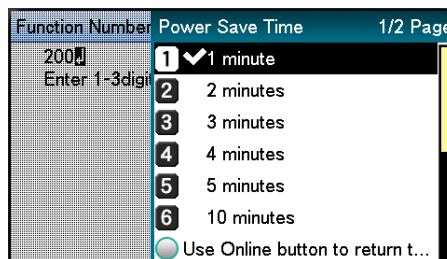
Lengthening the time until power save mode is entered may shorten the time until printing starts.

1 Press the [Fn] key.
The numerical values input screen will be displayed.

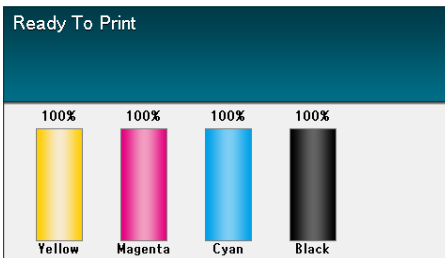
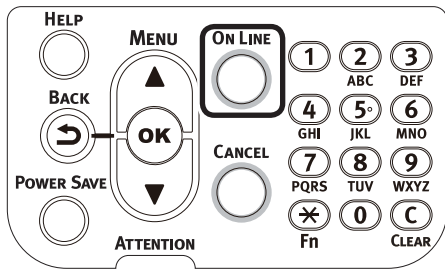
2 Enter [2], [0], [0], and press the [OK] button.



3 Select the time to be set, and press the [OK] button.



4 Press the [ON LINE] button to return to the standby screen.



Memo

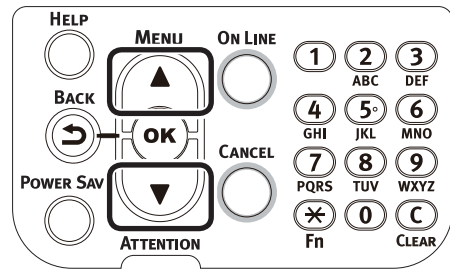
- The settable times are described below.
1 min., 2 mins., 3 mins., 4 mins., 5 mins., 10 mins., 15 mins., 30 mins., 60 mins.

Setting sleep mode

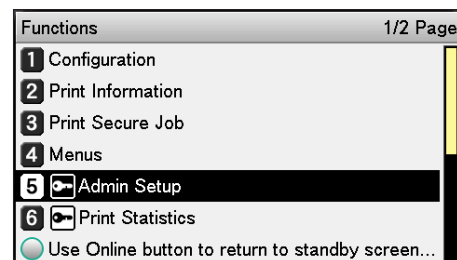
The device can be set to enter sleep mode from power save mode when no printing or data has been received after a fixed period of time.

The default factory setting is to enable sleep, so implementing this procedure is unnecessary.

1 Press the scroll button ▲ or ▼.



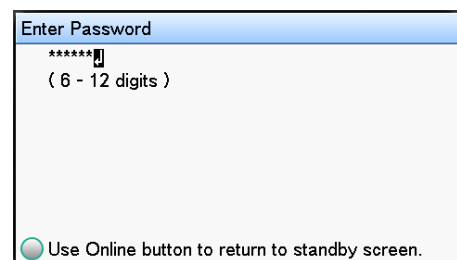
2 Select [Admin Setup], and press the [OK] button.



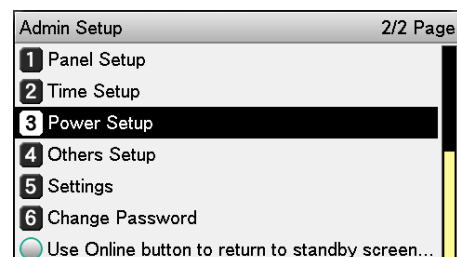
3 Enter the administrator password, and press the [OK] button.

Memo

- In the default factory settings, the administrator password is [aaaaaa].



4 Select [Power Setup], and press the [OK] button.



1 Before use

2 Setup

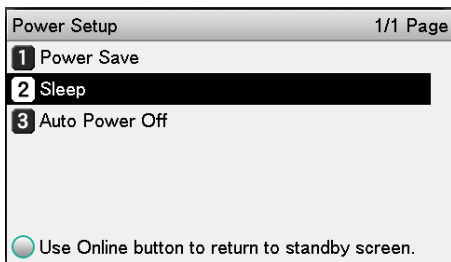
3 Printing

4 Basic Device Operations

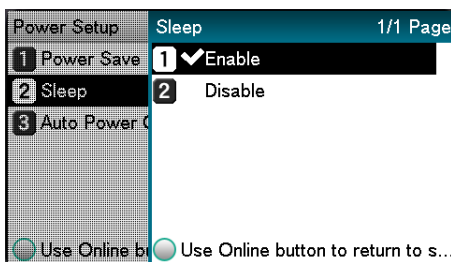
Appendix

Index

5 Select [Sleep], and press the [OK] button.



6 Select [Enable], and press the [OK] button.



7 Press the [ON LINE] button to return to the standby screen.



Memo

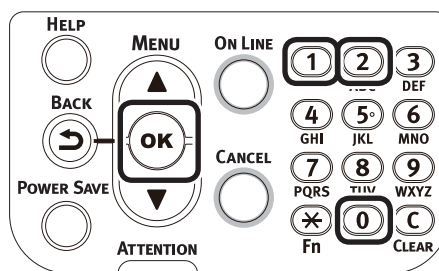
- Other items can also continue to be set before pressing the [ON LINE] button.

Setting the time before the printer enters sleep mode

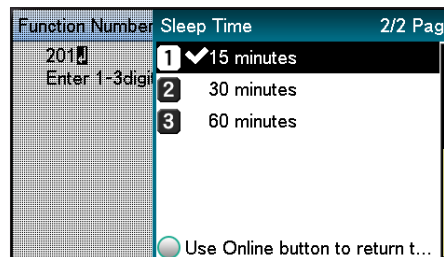
You can set the time until sleep mode is entered. The default factory setting is "15 min."

Lengthening the time until sleep mode is entered may shorten the time until printing starts.

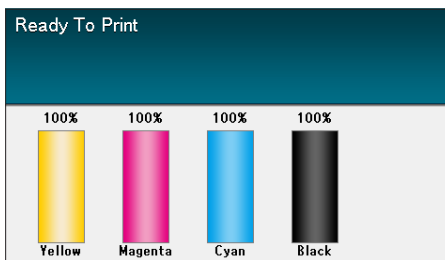
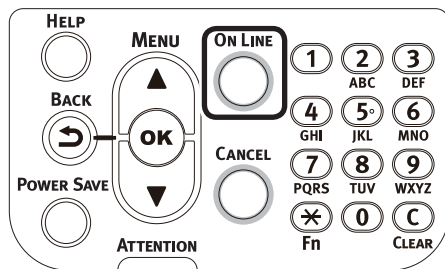
- 1** Press the [Fn] key.
The numerical values input screen will be displayed.
- 2** Enter [2], [0], [1], and press the [OK] button.



- 3** Select the time to be set, and press the [OK] button.



- 4 Press the [ON LINE] button to return to the standby screen.



 Memo

- The settable times until sleep mode is entered are described below.
1 min., 2 mins., 3 mins., 4 mins., 5 mins., 10 mins., 15 mins., 30 mins., 60 mins.

1

Before use

2

Setting Up

3

Printing

4

Basic Device Operations

Appendix

Index

Restrictions in sleep mode

This section explains the restrictions when the device is in sleep mode.

When the device is displaying an error, entering sleep mode may be disabled.

Printer driver utility restrictions

When the device enters sleep mode, the printer driver and utility functions are restricted as described below.

OS	Software name	Restrictions in sleep mode
Windows	Configuration Tool	Network settings for the Network Setting plug-in are disabled.
	Network Extension	Cannot connect to device.
	Driver installer	When connected to a network, the device options information cannot be acquired while installing the printer drivers.
Mac OS X	NIC Setup Tool	Printer searches and settings are disabled.
	Printer drivers	Printing is disabled when connected using EtherTalk. Connect to the device using either Bonjour (Rendezvous) protocols or LPD protocols (TCP/IP). For advanced setup methods, see either "Using Bonjour (Rendezvous)" (P.78) or "Adding Printers Using LPD (TCP/IP) Protocols" (P.123) .

When the device enters sleep mode, press the [POWER SAVE] button on the control panel to check that "Printing enabled" is displayed on the liquid crystal panel.

When "Printing enabled" is displayed, the restrictions described above do not apply.

Network function restrictions

In sleep mode, the following restrictions apply to the network functions.

■ Sleep mode is disabled

In the following cases, the device cannot enter sleep mode.

- IPsec is enabled.
- A TCP connection has been established.
Example: A connection has been established using Telnet or FTP, etc.
After the period for entry to power save mode has elapsed in energy save mode, the printer will enter sleep mode when the connection is cut.



- To enable sleep mode, disable IPsec.

■ Unable to print

While in sleep mode, printing using the following protocols is disabled.

- NBT
- EtherTalk*
- WSD Print

*: For Mac OS X, printing while in sleep mode is possible if connected using Bonjour (Rendezvous) protocols or "LPD protocols (TCP/IP).

For setup methods, see either "Using Bonjour (Rendezvous)" (P.78) or "Setting Power Save Mode" (P.111).

■ Unable to search/setup

While in sleep mode, searches and settings using the following functions and protocols are disabled.

- PnP-X
- UPnP
- LLTD
- MIB*

*: Referencing using the parts of MIB (Get command) that are supported is possible in sleep mode.

■ Protocols with client functions do not operate

While in sleep mode, the following protocols with client functions do not operate.

- E-mail alert*1
- SNMP Trap
- WINS*2

*1: The elapsed time while in sleep mode does not include the intervals between periodic communications times for e-mail alerts.

*2: The elapsed time while in sleep mode does not include the intervals between WINS refresh times.
WINS is not periodically refreshed while in sleep mode, so the names registered to the WINS server may be deleted.

■ Moving automatically from sleep mode to power save mode

In network environments with flows of large packet quantities, the device may move automatically from sleep mode to power save mode and respond.

Subsequently, if the period for moving to sleep mode elapses, sleep mode is entered automatically.

1

Before use

2

Setting up

3

Printing

4

Basic Device Operations

Appendix

Index

● Setup to Turn OFF the Power Supply Automatically

1 Before use
2 Setting Up
3 Printing
4 Basic Device Operations
Appendix
Index

Setting auto power OFF mode

The device can be set to enter OFF mode automatically when no printing or data has been received after a fixed period of time.

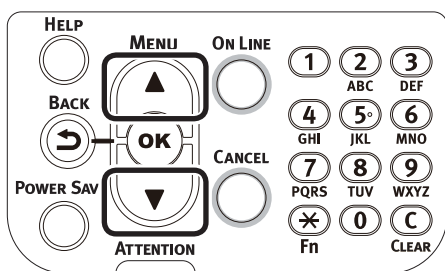
In the default factory settings, auto power OFF mode is set automatically. Set according to the conditions for entering OFF mode.

"Enable": Enters OFF mode automatically

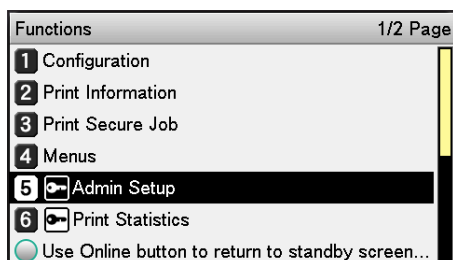
"Auto Config": Enters OFF mode when the set time has elapsed. If using a network connection, however, OFF mode is not entered even when the set time has elapsed.

"Disable": The power supply does not turn OFF automatically.

1 Press the scroll button ▲ or ▼.



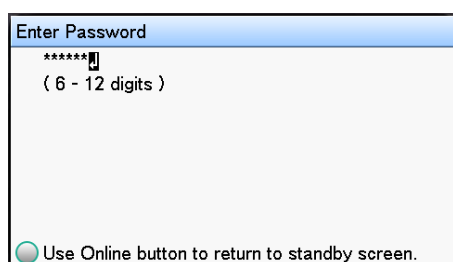
2 Select [Admin Setup], and press the [OK] button.



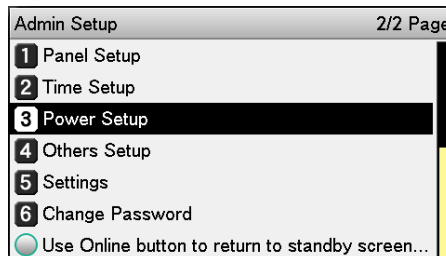
3 Enter the administrator password, and press the [OK] button.

Memo

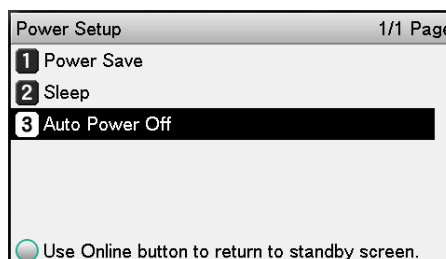
- In the default factory settings, the administrator password is [aaaaaa].



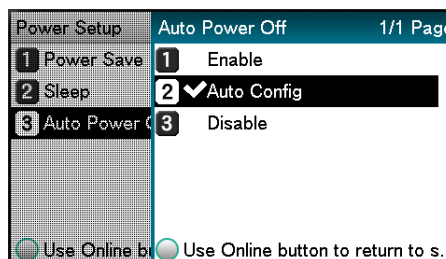
4 Select [Power Setup], and press the [OK] button.



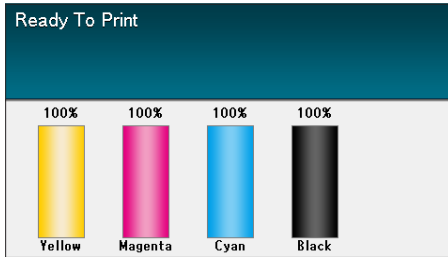
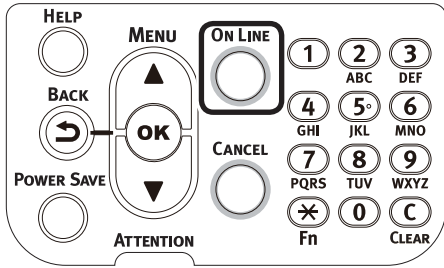
5 Select [Auto Power Off], and press the [OK] button.



6 Select [Enable] or [Auto Config], and press the [OK] button.



7 Press the [ON LINE] button to return to the standby screen.



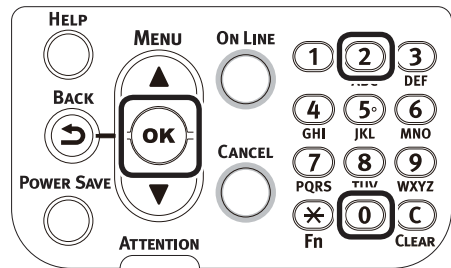
Memo

- Other items can also continue to be set before pressing the [ON LINE] button.

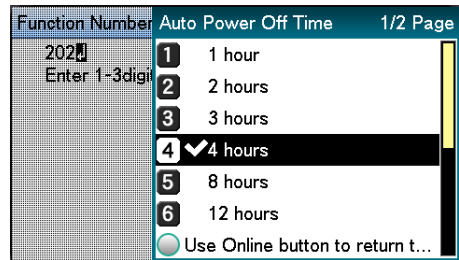
Setting the time before the printer enters auto power OFF mode

You can set the time until OFF mode is entered. The default factory setting is "4 hours".

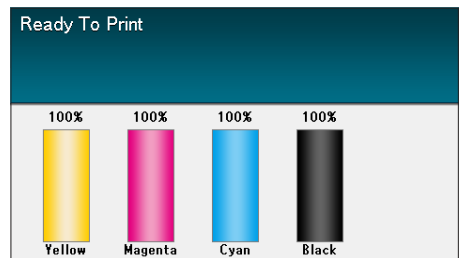
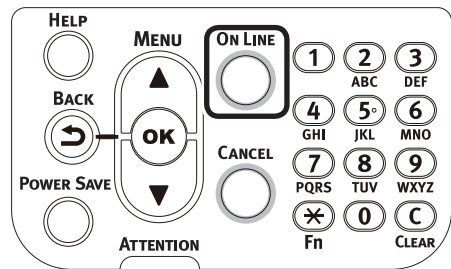
- 1 Press the [Fn] key.
The numerical values input screen will be displayed.
- 2 Enter [2], [0], [2], and press the [OK] button.



- 3 Select the time to be set, and press the [OK] button.



- 4 Press the [ON LINE] button to return to the standby screen.



Memo

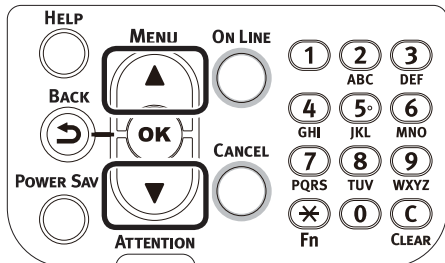
- The settable times are described below.
1 hour, 2 hours, 3 hours, 4 hours, 8 hours, 12 hours, 18 hours, 24 hours

● Checking print quantities

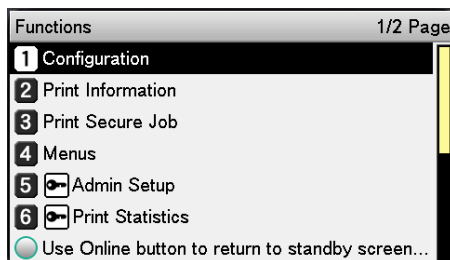
1 You can check the quantity of printed paper to date.

You can also check the quantities printed (fed) from each tray.

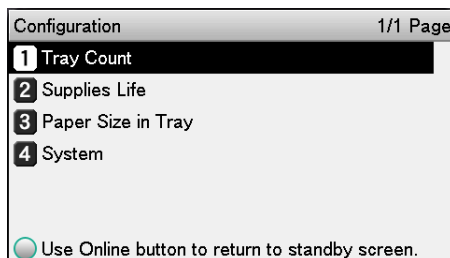
1 Press the scroll button ▲ or ▼.



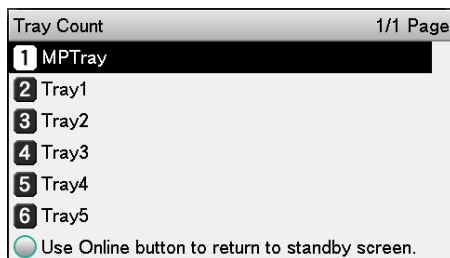
2 Select [Configuration], and press the [OK] button.



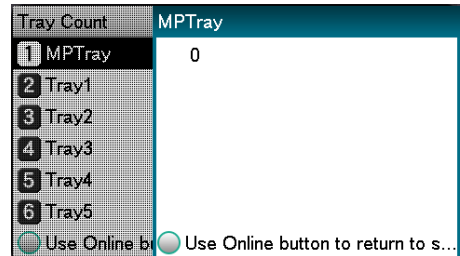
3 Select [Tray Count], and press the [OK] button.



4 Select the tray to be checked.

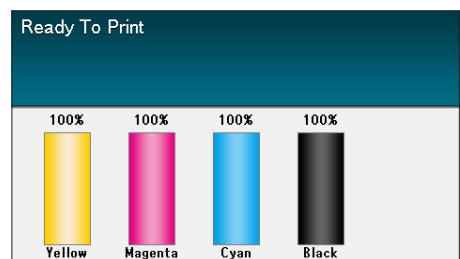
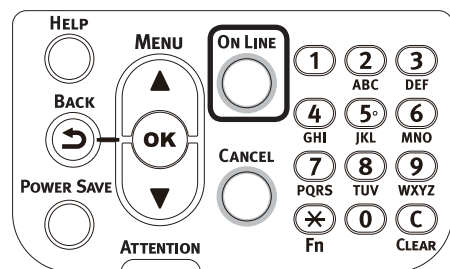


5 Press the [OK] button.



To continue checking other items, press the [BACK] button and return to 4.

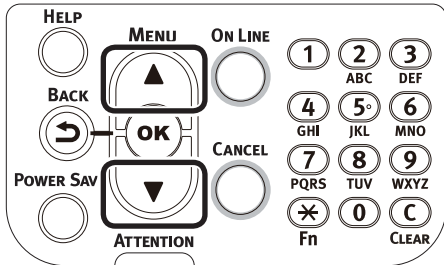
6 Press the [ON LINE] button to return to the standby screen.



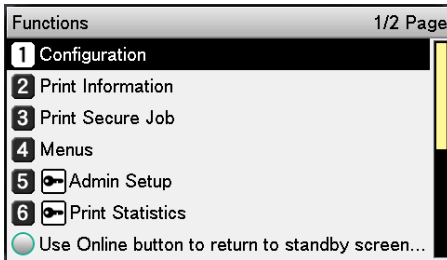
● Checking Consumables, and Remaining Maintenance Unit Quantities and Service Life

You can check the remaining quantities and service life of the toner, image drum, belt unit, fixer unit, and waste toner box.

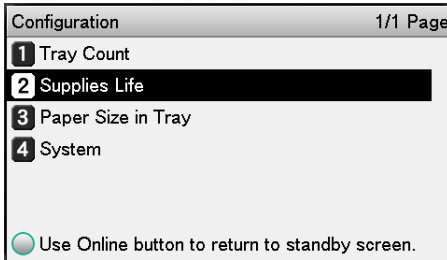
1 Press the scroll button ▲ or ▼.



2 Select [Configuration], and press the [OK] button.



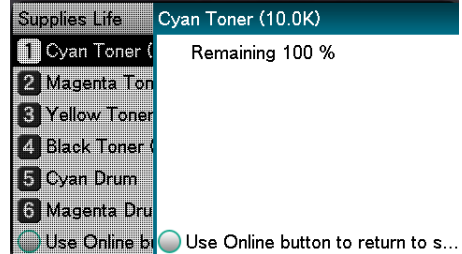
3 Select [Supplies Life], and press the [OK] button.



4 Select the consumable or maintenance unit (image drum, belt unit, fixer unit, or waste toner box) to be checked.

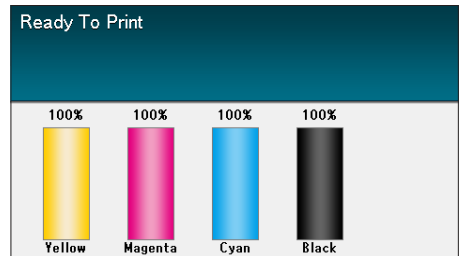
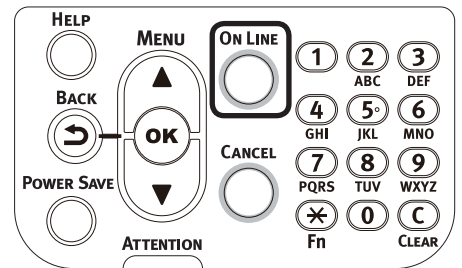


5 Press the [OK] button.



To continue checking other items, press the [BACK] button and return to 5.

6 Press the [ON LINE] button to return to the standby screen.



Memo

- The value to the right of the toner in the remaining consumables quantity screen changes depending on the type of toner cartridge installed. "10.0K" is displayed at the time of product purchase and when a standard toner cartridge is mounted. "24.0K" is displayed when a large-capacity toner cartridge is mounted.

1 Before use

2 Setup

3 Printing

4 Basic Device Operations

Appendix

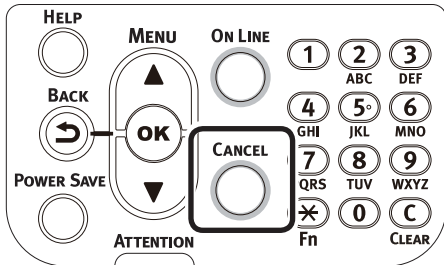
Index

● Canceling Printing

1

Before use

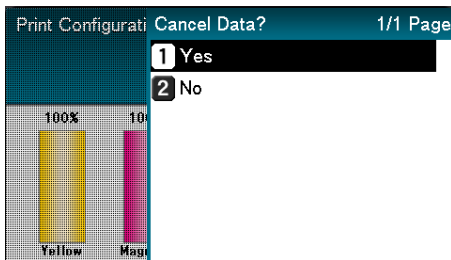
To cancel data while printing or during print preparation, press the [CANCEL] button on the control panel.



2

Setting Up

When the [CANCEL] button is pressed, the following screens will be displayed.



3

Printing

To cancel printing, select [Yes], and press the [OK] button.

To continue printing, select [No], and press the [OK] button.

If no operation is implemented within 3 mins. while this screen is displayed, the screen display will disappear and printing will continue.

4

Basic Device Operations

Appendix

Index

● Adding Printers Using LPD (TCP/IP) Protocols

With Mac OS X environments, you can connect printers using LPD protocols (TCP/IP).

Apple Talk cannot be used with Mac OS X 10.6 or later, so for network connections, connect the printer using Bonjour (Rendezvous) protocols or LPD protocols (TCP/IP).

Preparations

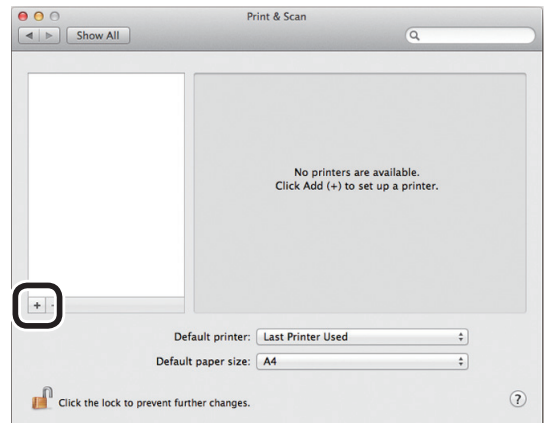
- 1 Check that the IP address, subnet mask, and router address, etc., have been set correctly for the desired Mac OS, and that you are connected to the network using LPD protocols (TCP/IP).
- 2 Download the PPD installer for Mac OS X for the printer to be connected from the OKI Data homepage (<http://www.okidata.co.jp/>), unzip and start the PPF installer, and then install PPD on the relevant Mac OS. This step is unnecessary if PPD is already installed.
- 3 Set the IP address, subnet mask, and gateway address, etc., on the printer to be connected. Make sure the printer is turned ON, and connected to the TCP/IP network environment.

Procedure for Adding Printers

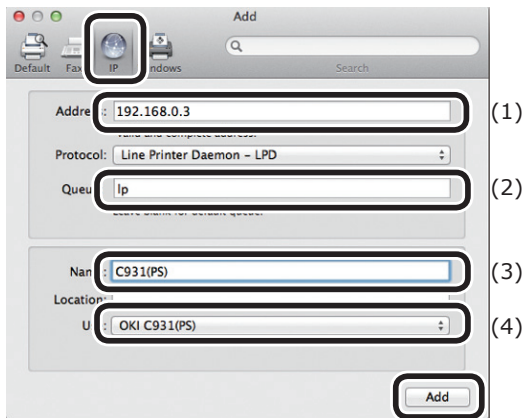
- 1 Open the Mac OS system environment settings, and click the "Print & Scan" icon to open the "Print & Scan" screen.



- 2 Click the [+] button to open the "Add printer" screen.



3 Select the [IP] icon. The following screen will be displayed. Enter the printer IP address, "Queue" name, and "Name", and then check that the printer to be used is selected in "Use", and click the [Add] button.



- (1) Enter the IP address allocated to the printer in the client environment.
- (2) Enter "Ip" as the queue name.
- (3) The IP address entered in Step (1) will be displayed. Enter any desired name.

This explanation uses C931 (LPD) as an example.

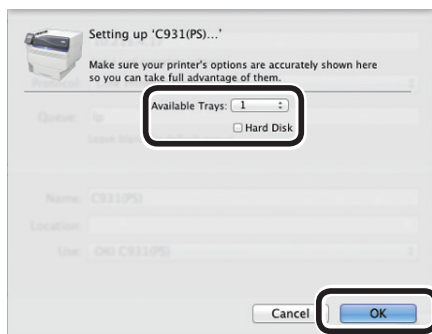
- (4) The printer to be used (PS) will be displayed automatically as the driver.

If you cannot communicate properly with the printer, auto selection will not be implemented.

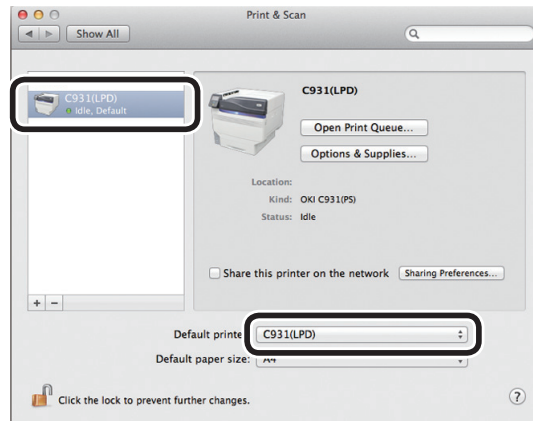
! Note

- When the printer is in sleep mode, the drivers may not be selected correctly. Return the printer from sleep mode, and then enter the printer IP address in [Address].

4 Set the printer options, and click [OK].



5 The "Print & Scan" screen will be displayed, and the printer to be used (LPD) will be added to the printer list. Select the printer to be used (LPD) as the "Default printer".



This way, the desired printer will be used as the default when printing. This completes the procedure for adding a printer, so close the "Print & Scan" screen.

1 Before use

2 Setting Up

3 Printing

4 Basic Device Operations

Appendix

Index

Appendix

● Table of control panel menu items

Numbers following the letter F in the menu items indicate the function number.

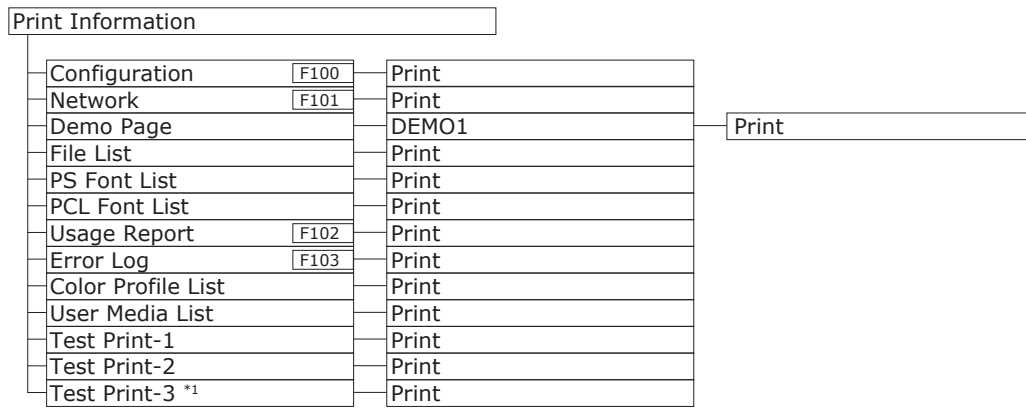
Configuration	
Tray Count	MPTray Tray1 Tray2 *1 Tray3 *1 Tray4 *1 Tray5 *1
Supplies Life	Cyan Toner (n.nK) Magenta Toner (n.nK) Yellow Toner (n.nK) Black Toner (n.nK) White Toner (n.nK) *2 *4 Clear Toner (n.nK) *3 *4 Cyan Drum Magenta Drum Yellow Drum Black Drum White Drum *2 *4 Clear Drum *3 *4 Waste Toner Box Belt Fuser
Network	Printer Name Short Printer Name IPv4 Address Subnet Mask Gateway Address MAC Address Network FW Version Web Remote Version IPv6 Address (Local) IPv6 Address (Global)
Paper Size in Tray	MPTray Tray1 Tray2 *1 Tray3 *1 Tray4 *1 Tray5 *1
System	Serial Number Asset Number CU Version PU Version RAM Flash Memory HDD Date and Time

*1: Displayed when trays 2 to 5 are mounted.

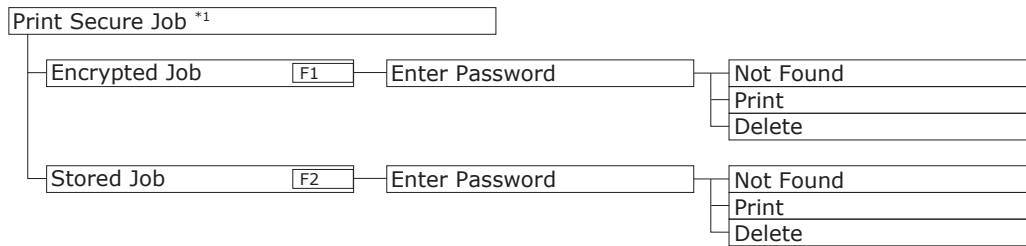
*2: Displayed when using white toner in C941/ES9541dn.

*3: Displayed when using clear toner in C941/ES9541dn.

*4: Not displayed with C911/C931/ES9411dn/ES9431dn.



*1: Displayed with C941/ES9541dn.



*1: Displayed when the built-in HDD is mounted.

Menus

Tray Configuration

MPTray Config

Paper Size (A4 <input type="checkbox"/>)	F90
X Dimension *3 (210mm/8.3")	F91
Y Dimension *3 (297mm/11.7")	F92
Media Type (Medium Light)	F93
Media Weight (Auto)	F94
Tray Usage (Normal Tray)	F95

Tray1 Config

Paper Size (Cassette Size)	F10
X Dimension *3 (210mm/8.3")	F11
Y Dimension *3 (297mm/11.7")	F12
Media Type (Medium Light)	F13
Media Weight (Auto)	F14
A3Nobi Paper	F15
Legal14 Paper (Legal14)	F16
A5LEF/A6/Hagaki Paper (A5 <input type="checkbox"/>)	F17
A5SEF/Oufuku Hagaki Paper (A5 <input type="checkbox"/>)	F18
Other Size (B6)	F19

Tray2 Config *1

Paper Size (Cassette Size)	F20
X Dimension *3 (210mm/8.3")	F21
Y Dimension *3 (297mm/11.7")	F22
Media Type (Medium Light)	F23
Media Weight (Auto)	F24
A3Nobi Paper	F25
Legal14 Paper (Legal14)	F26
A5LEF/A6/Hagaki Paper (A5 <input type="checkbox"/>)	F27
A5SEF/Oufuku Hagaki Paper (A5 <input type="checkbox"/>)	F28
Other Size (B6)	F29

Tray3 Config *1

Paper Size (Cassette Size)	F30
X Dimension *3 (210mm/8.3")	F31
Y Dimension *3 (297mm/11.7")	F32
Media Type (Medium Light)	F33
Media Weight (Auto)	F34
A3Nobi Paper	F35
Legal14 Paper (Legal14)	F36
A5LEF/A6/Hagaki Paper (A5 <input type="checkbox"/>)	F37
A5SEF/Oufuku Hagaki Paper (A5 <input type="checkbox"/>)	F38
Other Size (B6)	F39

Tray4 Config *1

Paper Size (Cassette Size)	F40
X Dimension *3 (210mm/8.3")	F41
Y Dimension *3 (297mm/11.7")	F42
Media Type (Medium Light)	F43
Media Weight (Auto)	F44
A3Nobi Paper	F45
Legal14 Paper (Legal14)	F46
A5LEF/A6/Hagaki Paper (A5 <input type="checkbox"/>)	F47
A5SEF/Oufuku Hagaki Paper (A5 <input type="checkbox"/>)	F48
Other Size (B6)	F49

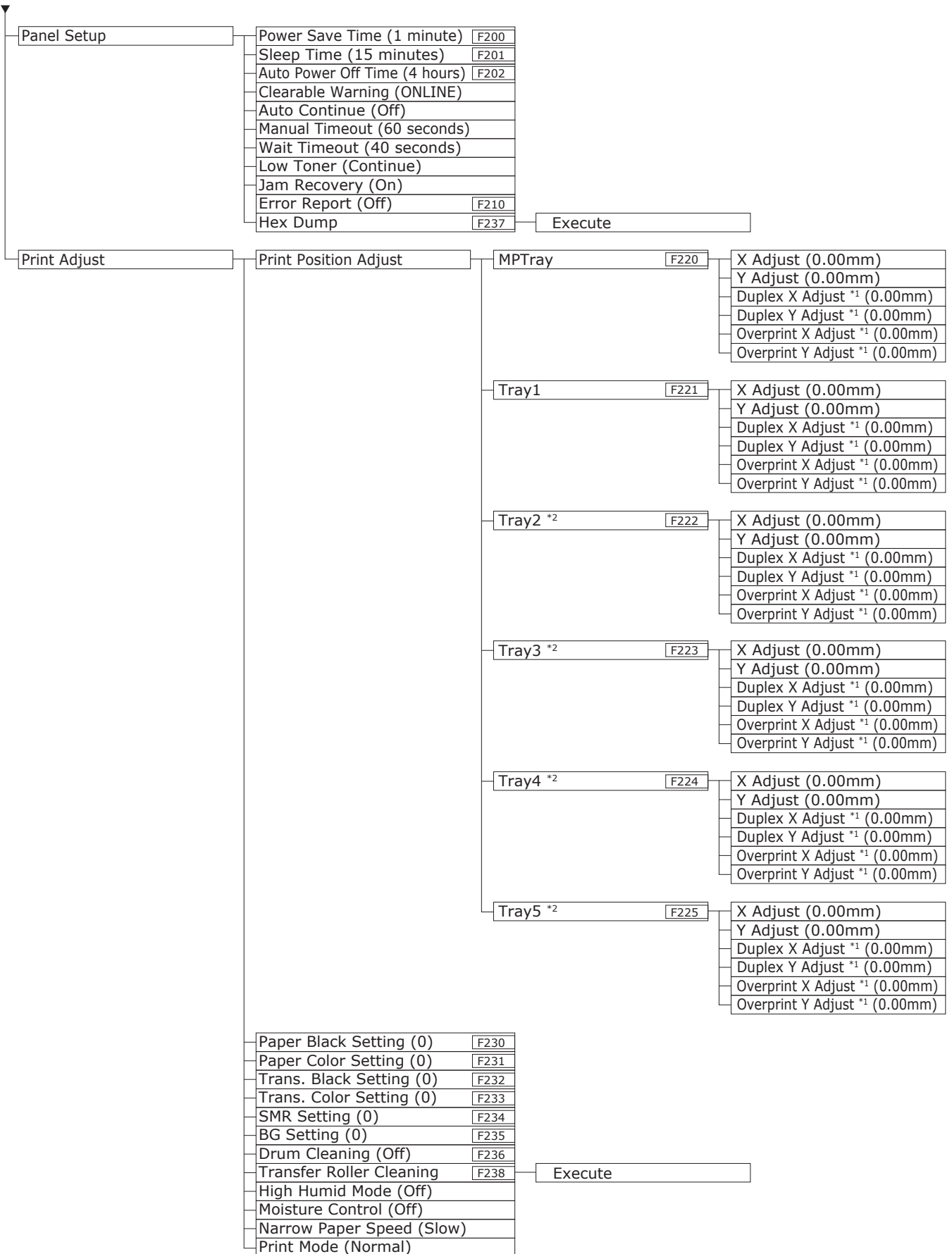
Tray5 Config *1

Paper Size (Cassette Size)	F50
X Dimension *3 (210mm/8.3")	F51
Y Dimension *3 (297mm/11.7")	F52
Media Type (Medium Light)	F53
Media Weight (Auto)	F54
A3Nobi Paper	F55
Legal14 Paper (Legal14)	F56
A5LEF/A6/Hagaki Paper (A5 <input type="checkbox"/>)	F57
A5SEF/Oufuku Hagaki Paper (A5 <input type="checkbox"/>)	F58
Other Size (B6)	F59

Paper Feed (Tray1)	F80
Auto Tray Switch (On)	
Tray Sequence (Down)	
Unit of Measurement (mm)	
Duplex Last Page (Skip Blank Page)	

Continue to next page

1 Before use
2 Setting Up
3 Printing
4 Basic Device Operations
Appendix
Index



*1: Displayed when the duplex print unit is mounted.
*2: Displayed when trays 2 to 5 are mounted.
*3: Displayed when [Paper size] is set to [Custom].



Continue to next page

1	Before use
2	Setting Up
3	Printing
4	Basic Device Operations
	Appendix
	Index

1	Before use	PS Setup	Network Protocol (RAW)	USB Protocol (RAW)
		PCL Setup	Font Source (Resident2)	Font Number (C1)
2	Setting Up		Font Pitch (10.00CPI)	Font Height (12 point)
			Symbol Set (WIN3.1J)	A4 Print Width (78 column)
			White Page Skip (Off)	CR Function (CR)
			LF Function (LF)	Print Margin (Normal)
			True Black (Off)	Pen Width Adjust (Off)
			Tray ID#	MPTray (4)
				Tray1 (1)
				Tray2 *2 (5)
				Tray3 *2 (20)
				Tray4 *2 (21)
	Tray5 *2 (22)			
3	Printing	XPS Setup	DigitalSignature (Off)	DiscardControl (Auto)
			MC Mode (On)	Unzip Mode (Speed)
			White Page Skip (Off)	
		Color Setup	Ink Simulation (Off)	UCR (Low)
			CMY 100% Density (Disable)	CMYK Conversion (On)
4	Basic Device Operations	Panel Setup	Near Life Status (Enable)	Near Life LED (Enable)
			Idle Display (Toner Gauge)	Panel Brightness During Operating (31)
			Panel Brightness While Power Save (1)	Panel Backlight Timer (30)
			Front Lamp (Mode1)	
		Time Setup	Date Format (yyyy/mm/dd)	Time Zone (+0:00) *4
	Daylight Saving (Off)	Time Setting (2000/01/01 00 :00) *4		
	Power Setup	Power Save (Enable)	Sleep (Enable)	
		Auto Power Off (Auto Config)		

Continue to next page

1

Before use

2

Setting Up

3

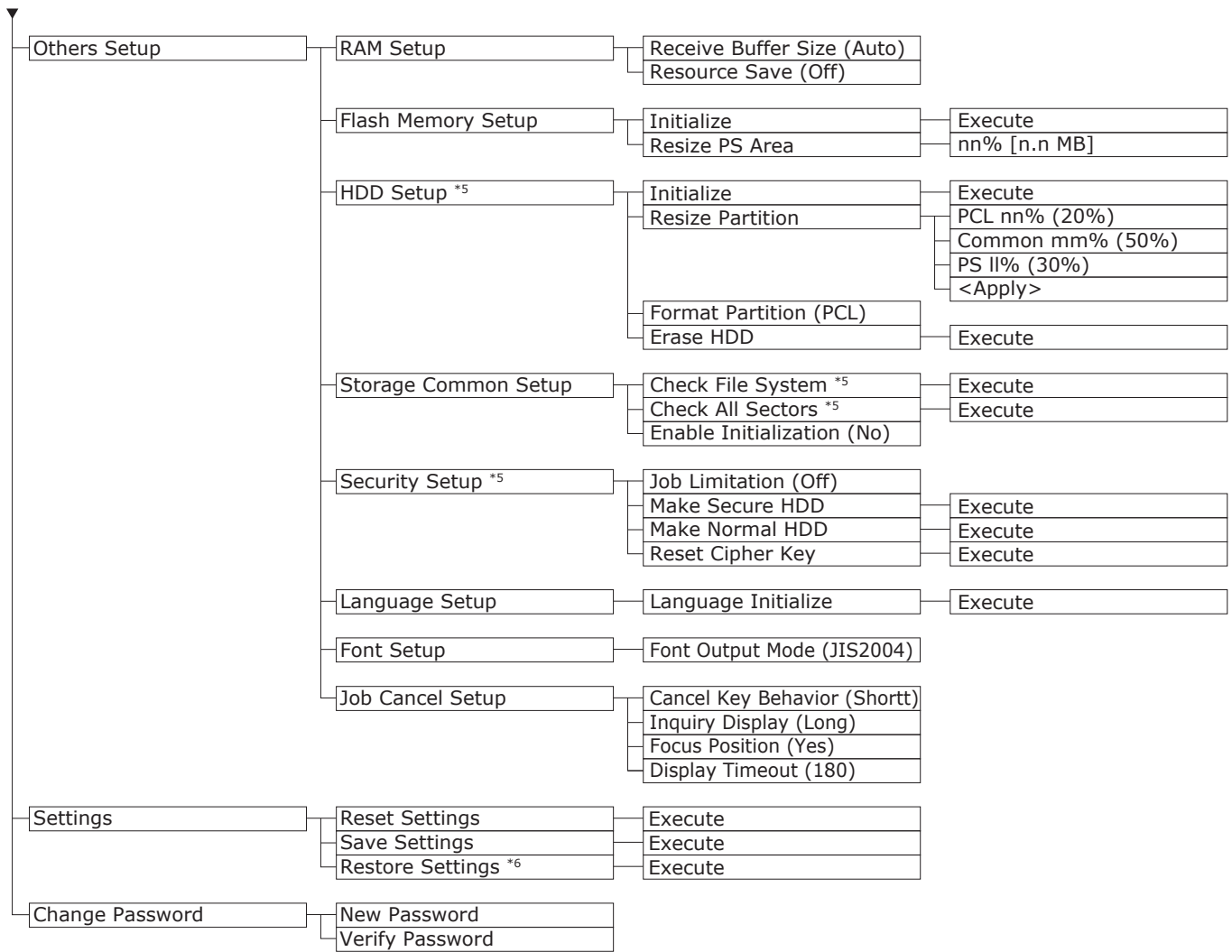
Printing

4

Basic Device Operations

Appendix

Index



*1: Displayed when the duplex print unit is mounted.

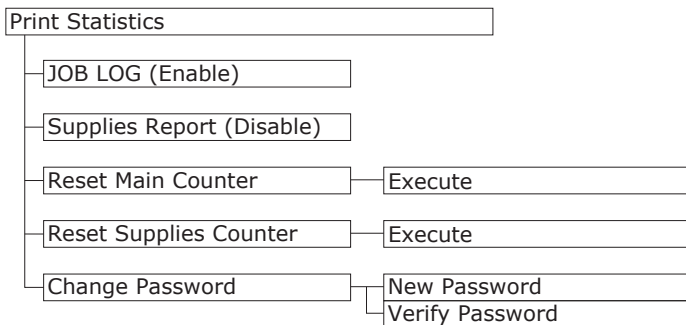
*2: Displayed when trays 2 to 5 are mounted.

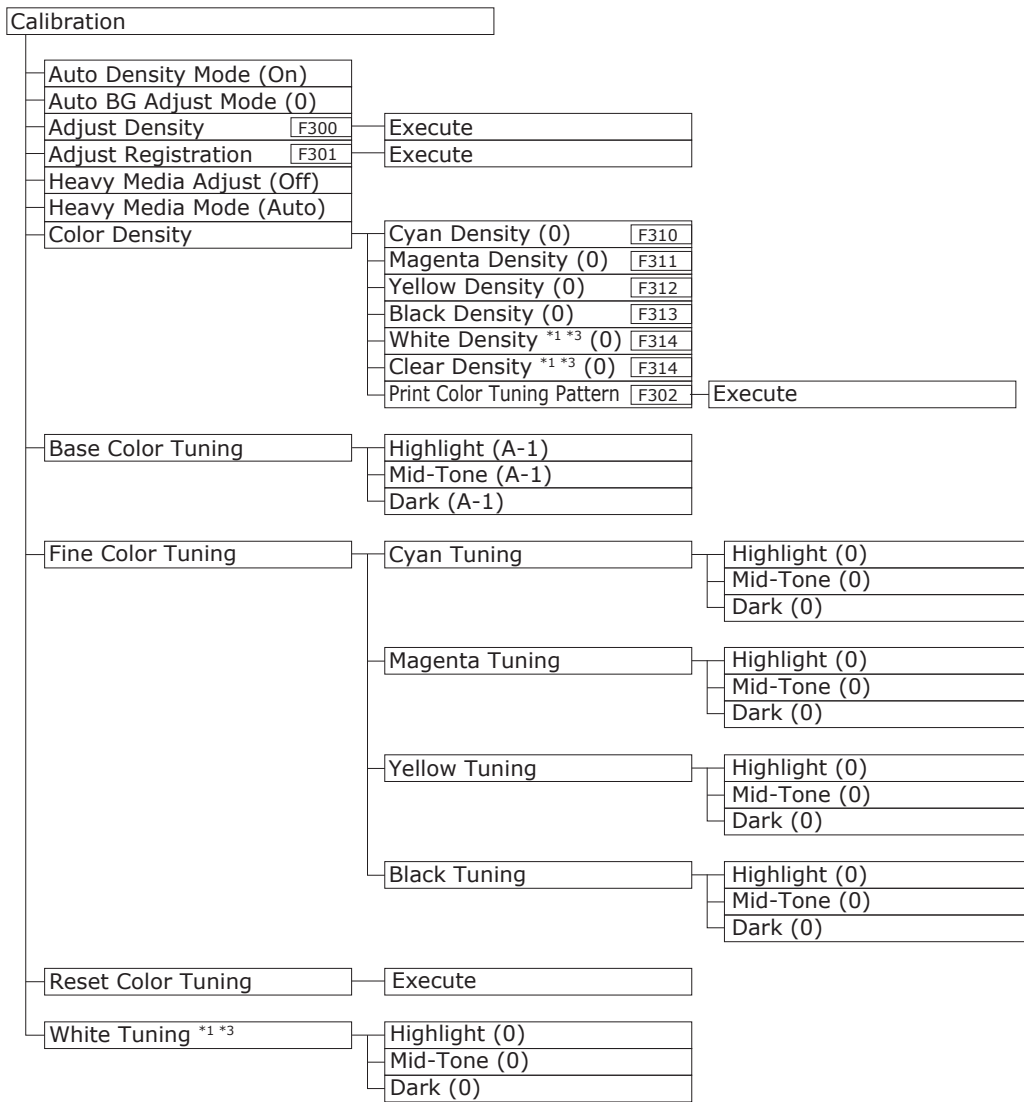
*3: Not displayed with C911/C931/ES9411dn/ES9431dn.

*4: The time zone and time are set at the factory.

*5: Displayed when the HDD is mounted.

*6: Displayed when "Save setup" has been implemented.

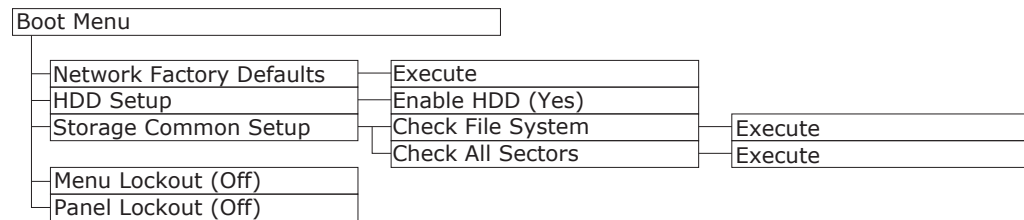




*1: Displayed when using white toner in C941/ES9541dn.

*2: Displayed when using clear toner in C941/ES9541dn.

*3: Not displayed with C911/C931/ES9411dn/ES9431dn.



*: Displayed when the power supply is turned ON while the [OK] button is being pressed.

Boot Menu is displayed in English only.

● Basic Windows Functions

This section explains the procedures for displaying the drivers setup window from the [Printers]/[Printer and Fax] folder for OS other than Windows 7, which is used as an example in this manual.



- The Windows Server 2008 R2 procedure is the same as for Windows 7.
- If installing multiple drivers, the icon will be displayed for each driver in the [Printers]/[Printer and Fax] folder. Use the following procedure for the drivers to be set up and checked.

Displaying the Properties Window

■ Windows 8/Windows Server 2012

- 1 Click [Setup], and select [Control panel]> [Show devices and printers].
- 2 Right-click the OKI C931 icon, and select [Printer properties].

■ Windows Vista/Windows Server 2008

- 1 Click the [Start] button, and select [Control panel]> [Printers].
- 2 Right-click the OKI C931 icon, and select [Properties].

■ Windows XP/Windows Server 2003

- 1 Click [Start], and then select [Printers and Fax].
- 2 Right-click the OKI C931 icon, and select [Properties].

Displaying the print setup window

■ Windows 8/Windows Server 2012

- 1 Click [Setup], and select [Control panel]> [Show devices and printers].
- 2 Right-click the OKI C931 icon, and select [Printing preferences].

■ Windows Vista/Windows Server 2008

- 1 Click the [Start] button, and select [Control panel]> [Printers].
- 2 Right-click the OKI C931 icon, and select [Printing preferences].

■ Windows XP/Windows Server 2003

- 1 Click [Start], and then select [Printers and Fax].
- 2 Right-click the OKI C931 icon, and select [Printing preferences].

● Specifications

Main specifications

Model	C911dn/C931dn/ES9411dn/ES9431dn: N36100A(120V), N36100B(230V), N36100C(100V) C941dn/ES9541dn: N36101A(120V), N36101B(230V), N36101C(100V)
CPU	C911/ES9411dn: ARM Processor (1GHz) C931/C941/ES9431dn/ES9541dn: ARM Processor (1.2GHz)
RAM (standard/ max.)	2GB/2GB
Weight	C911/C931/ES9411dn/ES9431dn: Approx. 82kg (not including consumables) ^{*1} C941/ES9541dn: Approx. 91kg (not including consumables) ^{*2}
Power	110 to 127 VAC (Range 99 to 140 VAC), 50/60 Hz ± 2% 220 to 240 VAC (Range 198 to 264 VAC), 50/60 Hz ± 2%
Power consumption	During operations: 1,500W max./Average 1,100W During standby: Average 90W In power save mode In power save mode: 30W max. In sleep mode: 4W max. (factory settings) In Auto Power OFF: 0.4W max. [*] The product does not consume power when the main power switch is OFF, even if the power plug is inserted into the outlet.
Use environment conditions	Temperature 10°C to 32°C, humidity 20% to 80%RH Max. wet bulb temperature 25°C (Environments where high-quality and full color are assured : Temperature 17°C to 27°C, humidity 50% to 70%RH)
Network connection	1000BASE-T/100BASE-TX/10BASE-T (Factory settings 100BASE-TX/10BASE-T)
Local connections	USB2.0 interface (Hi-Speed USB supported)
Display	4.3" high-resolution color LCD (480x272dots)
Compatible OS	Windows 8/Windows 7/Windows Vista/Windows XP/Windows Server 2012/ Windows Server 2008 R2/Windows Server 2008/Windows Server 2003 Mac OS 9.2, 9.2.1, 9.2.2, Mac OS X 10.3.9 to 10.8 For details, see the operations environment.

Print method	C911/C931/ES9411dn/ES9431dn: Dry electronic photo method using 4 continuous digital LED heads C941/ES9541dn: Dry electronic photo method using 5 continuous digital LED heads
Resolution	Print resolution: 1200 x 1200dpi (2 shades) / 1200 x 600dpi (16 shades) / 600 x 600dpi (2 shades) LED dot pitch: 1200dpi
Print colors	Yellow, magenta, cyan, black, white ^{*3} , clear ^{*3}
Print languages	PostScript3, PCL6 (PCLXL3.0, PCL5c), PDF1.7, XPS

			C911dn/ ES9411dn	C931dn/ ES9431dn	C941dn/ ES9541dn
Print speed* ⁴	Color (1-sided)	CMYK	50 pages/min. (A4 landscape feed), 28 pages/min. (A3 portrait feed) (If auto paper weight is set)		
		CMYK+1 color	-	CMYK+Spot Color white: 45 pages/min. (A4 landscape feed), 25 pages/min. (A3 portrait feed) CMYK+Spot Color clear: 18 pages/min. (A4 landscape feed)	
		Spot Color overprint* ⁵ (CMYK+Spot Color white)	-	45 pages/min. (A4 landscape feed) 6 pages/min. (A3 portrait feed)	
	Monochrome (1-sided)		50 pages/min. (A4 landscape feed) 28 pages/min. (A3 portrait feed) (If auto paper weight is set)		
	Auto 2-Sided Printing	CMYK	Color: 50 pages/min. (A4 landscape feed) Monochrome: 50 pages/min. (A4 landscape feed) Color: 28 pages/min. (A3 portrait feed) Monochrome: 28 pages/min. (A3 portrait feed) (If auto paper weight is set)		
		(CMYK+Spot Color white)* ⁶	-	*CMYK+Spot Color white is compatible with single color only 45 pages/min. (A4 landscape feed), 25 pages/min. (A3 portrait feed)	
Spot Color overprint (CMYK+Spot Color white)		-			

Type of paper* ⁷	Paper quality* ⁸	Plain, thick paper (glossy* ⁹ , transparent film* ¹⁰ , transparencies* ¹¹ , postcards, labels* ¹² , envelopes* ¹³)
	Paper size	A3NOBI, 13×18", A3WIDE (SRA3), A3, A4WIDE (SRA4), A4, A5, A6, B4, B5, B6, letter, legal13/13.5/14, Executive, Statement* ¹⁴ , Tabloid Extra, Tabloid, 8K, 16K, envelopes* ¹⁵ , postcards, Japanese double postcards, 4-REN Hagaki, index cards* ¹⁴ , B6 half* ¹⁴ , custom* ¹⁶
	GSM paper weight	1st tray: GSM 52 to 320g/m ² (ream weight 45 to 275kg) Expansion tray unit: GSM 52 to 320g/m ² (ream weight 45 to 275kg) Large-capacity expansion tray unit: GSM 52 to 320g/m ² (ream weight 45 to 275kg) Multi-Purpose Tray: GSM 52 to 360g/m ² (ream weight 45 to 309kg)
Auto 2-Sided Print Functions	Paper size	A3NOBI, 13×18", A3WIDE (SRA3), A3, A4WIDE (SRA4), A4, A5, A6 portrait feed, B4, B5, B6, letters, legal13/13.5/14), Executive, Statement, Tabloid Extra, Tabloid, 8K, 16K, postcards, Japanese double postcards, 4-REN Hagaki, Custom* ¹⁷
	GSM paper weight	1st tray: GSM 64 to 320g/m ² (ream weight 55 to 275kg) Expansion tray unit: GSM 64 to 320g/m ² (ream weight 55 to 275kg) Large-capacity expansion tray unit: GSM 64 to 320g/m ² (ream weight 55 to 275kg) Multi-Purpose Tray: GSM 64 to 320g/m ² (ream weight 55 to 275kg)

Specifications

1 Before use	Paper feed method/ Feed quantity	Multi-purpose tray	Capacity 310 sheets (GSM weight 64g/m ² , total thickness 31mm max.)* ¹⁸
		1st tray	Capacity 580 sheets (GSM weight 64g/m ² , total thickness 53mm max.)* ¹⁹
		Expansion tray unit	(Optional) Capacity 580 sheets (GSM weight 64g/m ² , total thickness 53mm max.)* ²⁰
		Large-capacity expansion tray unit	(Optional) Capacity 580 sheets x 3 trays (GSM weight 64g/m ² , total thickness 53mm max.)
2 Setting Up	Paper feed method/ Output capacity	Face down	620 sheets max. (GSM weight 64g/m ²)
		Face up	300 sheets max. (GSM weight 64g/m ²)
3 Printing	Assured print range	6.35mm from the paper edge (excluding special paper such as envelopes, etc.)	
	Print accuracy	Write position accuracy ±2mm; paper slant: ±1mm/100mm Image expansion and contraction ±1mm/100mm (GSM weight 80g/m ²)	
	Warm-up time	Approx. 50s (max.) after power is turned ON (At room temperature 25°C and rated voltage)* ²¹	
	Average print quantity	25,000 sheets/month	
	Use environment conditions	Temperature 10°C to 32°C, humidity 20% to 80%RH, max. wet bulb temperature 25°C (Environments where high-quality and full color are assured : Temperature 17°C to 27°C, humidity 50% to 70%RH)	
	Consumables and maintenance products	Consumables, toner cartridge, image drum, maintenance products, fixer unit, transfer roller unit, belt unit, paper feed roller set, waste toner box	
4 Basic Device Operations	Device service life* ²²	5 years or 1.5 million pages	

*1: The total weight including consumables is approx. 97kg.

*2: The total weight including consumables is approx. 117kg.

*3: C941/ES9541dn specifications only.

*4: Plain paper, in copy mode print speed is slower for postcards, envelopes, and card stock.

*5: The mode that prints white before CMYK. If the paper size exceeds B4, the print speed is slower.

*6: Compatible with plain and glossy paper only.

*7: Print quality and paper traction may suffer depending on the paper used and the use environment. Implementing a test print beforehand is recommended. Consult your supervisor if anything is unclear.

*8: Printing is not possible to glossy (excluding excellent gloss), coated paper (gloss, matte, dull, and silk), and embossed paper. If printing Spot Color white or Spot Color clear using a single color, the K drum will also rotate normally.

*9: For glossy paper, use excellent gloss. Further, use excellent gloss in an indoor environment at 25°C max., humidity 60% max. Print quality may be reduced in any other environments.

*10: Compatible with Multi-Purpose Tray only.

*11: Compatible with 1st tray and Multi-Purpose Tray only.

*12: Compatible with A4 and letter only.

*13: Compatible with Multi-Purpose Tray only. The paper may curl or crease after printing.

*14: Compatible with Multi-Purpose Tray only.

*15: Nagagata #3, Nagagata #4, Nagagata #40, Yougata #0, Yougata #2, Yougata #4, Younaga #3, Kakugata #2, Kakugata #3, Kakugata #6, Kakugata #8, C4, C5, DL, COM-9, COM-10 Monarch.

*16: 1st tray, expansion tray unit, large-capacity expansion tray unit: Width 100 to 330mm x length 148 to 457mm.
Multi-Purpose Tray: Width 64 to 330mm x length 90 to 1,321mm. If using Spot Color overprint, length is 182 to 457mm.

*17: 1st tray, expansion tray unit, large-capacity expansion tray unit: Width 100 to 330mm x length 148 to 457mm.
Multi-Purpose Tray: Width 64 to 330mm x length 90 to 483mm.

*18: Postcards x 110, transparencies x 200, envelopes x 40 (GSM weight 85g/m²).

*19: Postcards x 210, transparencies x 360.

*20: Postcards x 210.

*21: Does not include compensation operations.

*22: Device service life depends on the customer's use conditions.

Network interface specifications

- Basic specifications

Network protocols

- For TCP/IP
- For EtherTalk

- Connectors

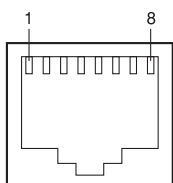
1000BASE-T / 100 BASE-TX / 10 BASE-T (Auto switching and simultaneous use are not possible)

Note

- The default factory setting is to disable 1000BASE-T.
If using with 1000BASE-T, use the control panel to make the following settings.
Set to [Administrator menu]> [Enter password> [Network Setup]> Gigabit Network]> [Enable].
- Cables

Unshielded twist pair cable with EJ-45 connector (category 5e or later)

- Connector pin array



- Interface signals

Pin No.	Signal name	Function
1	TRD+(0)	Data 0 sending and receiving (+)
2	TRD-(0)	Data 0 sending and receiving (-)
3	TRD+(1)	Data 1 sending and receiving (+)
4	TRD+(2)	Data 2 sending and receiving (+)
5	TRD-(2)	Data 2 sending and receiving (-)
6	TRD-(1)	Data 1 sending and receiving (-)
7	TRD+(3)	Data 3 sending and receiving (+)
8	TRD-(3)	Data 3 sending and receiving (-)

USB interface specifications

1

Before use

- Basic specifications

USB (supports Hi-Speed USB)

- Connectors

B receptacle (female) upstream port

- Cables

5m max. USB2.0 specifications cable (2m max. recommended)

(Do not use shielded cable wires.)

2

Setting Up

- Send mode

Full speed (12Mbps±0.25% max.)

High speed (480Mbps±0.05% max.)

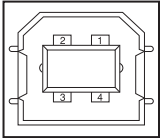
- Power control

3

Printing

Self-powered device

- Connector pin array



4

Basic Device Operations

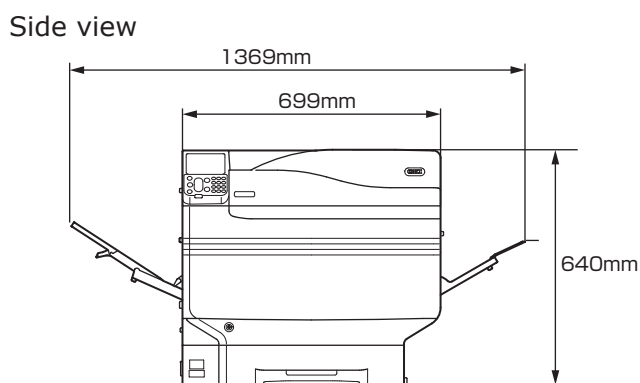
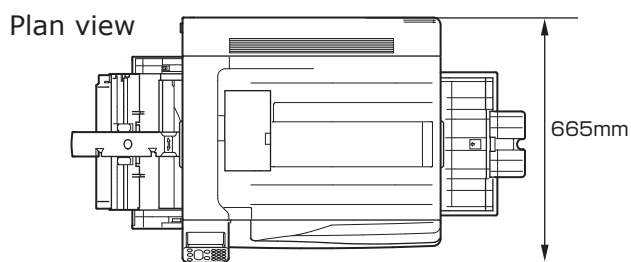
- Interface signals

	Signal name	Function
1	Vbus	Power supply (+5V)
2	D-	For data transfer
3	D+	For data transfer
4	GND	Signal ground
Shell	Shield	

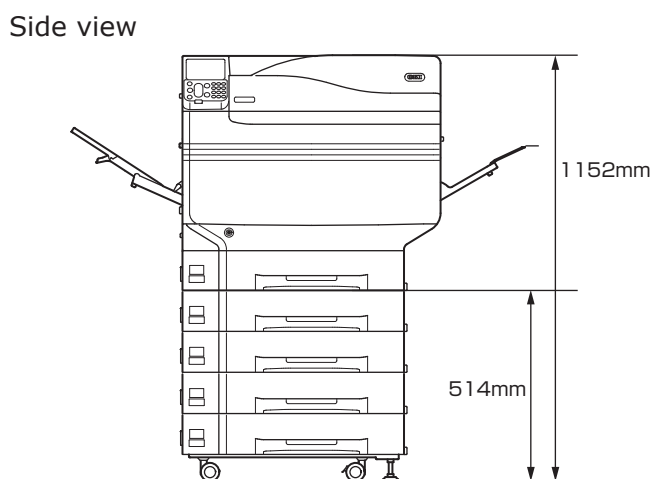
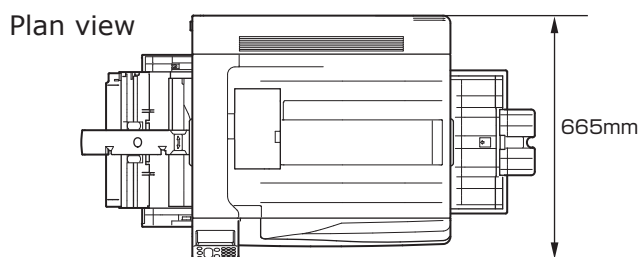
Appendix

Index

Dimensions



When the (optional) expansion tray unit is mounted



1

Before use

2

Setting Up

3

Printing

4

Basic Device Operations

Appendix

Index

■ Memo

1

Before use

2

Setting Up

3

Printing

4

Basic Device Operations

Appendix

Index

Index

10-key pad 29
2-sided documents 26

A

Adjusting brightness 31, 32
 Errors 35
Air holes..... 42
Auto 94
Auto Power OFF Mode
 Setup..... 118
 Switching Time..... 119

B

Back button 31
Belt unit lever 27
Belt unit lock lever..... 27
Bonjour..... 74, 78
Built-in HDD 31, 32, 33, 54, 82
Button 28, 29

C

Cable connections..... 63
[CANCEL] button 122
CANCEL button 31
Cancelling 38, 122
 Slot 31
Cancelling OFF mode 38
Card authentication 31, 34
Carrying handles 26, 30
Carrying lever 25, 26
[CLEAR] key 25
color management server 25, 26, 29
Consumables 46
 Toner cartridge..... 46
Consumption power 56
Control panel 28
Customer support..... 25
Customization 98, 99

D

Detecting Automatically..... 93
Dimensions..... 139
Documents 25
Driver installation 61
 Mac OS X 74
 Windows 65

E

Envelopes..... 26
Environment conditions 62
EPS data 62
Error screen..... 34
EtherTalk..... 74, 75
Expansion tray unit..... 50, 82
 Setup (Mac OS X) 85
 Setup (Windows) 82
Expansion tray unit with casters 36, 51

F

Face-down stacker..... 29
Face-down Stacker 106
Face-up Stacker 108
Factory settings..... 36, 66
Fiery® XF Server Option..... 39
Fixing unit 29
Fixing unit jam clearing lever 29
[Fn] key 31, 36
Front lamp..... 25
Function number input screen 37

G

Gateway address..... 65

H

Handle	31
[HELP] button	34
HELP button.....	31, 34
Help screen	27
Hubs.....	63

I

Image drum	26
Job list	23, 27
Product warranty, supplying free maintenance, and customer support	27
Stopper	47
Toner cartridge.....	23, 27
Installation	41
Installation environment.....	41
Installation procedure	44
Installation space	41
Relocation.....	44
Interface	
Network interface connector.....	26
IP address	65, 68

J

Japanese double postcard.....	34
-------------------------------	----

L

LAN (network interface connector).....	30
LAN cable	63
Connecting	63
Large-capacity expansion tray unit.....	33, 51
LED lamp	57, 58
Liquid crystal panel.....	25, 26
Lock lever knob.....	27
LPD Protocols (TCP/IP)	123

M

Mac OS X printer driver	
Documents	31
Main power switch	25, 57, 58
Power conditions	26
Maintenance	2
Manual Feed Printing (Multi-Purpose Tray).....	101
Menu items.....	34
Menu items table.....	125
Messages	25
Mounting options	
Built-in HDD.....	54
Expansion tray unit	50
MP paper guide	28
MP Paper Guide	100
Multi-purpose tray	31
Multi-Purpose Tray	98, 99, 101

N

Network	38
Cables.....	63
Setup.....	69
Network connection	
Cannot set up	74, 82
Setting up (Mac OS X).....	74
Setting up (Windows).....	65

O

OFF mode	
Customization	31
Power save mode	31
Sleep mode	25
[OK] button	
[BACK] button.....	31, 32
Scroll button	31
OK button	31, 34
Operating environment.....	29
Operating methods	25, 31, 32
Output rail unit	29
Output unit knob	26, 29

P

Paper	87
Output	106
Settings	93, 99
Size	88
Thickness	88
Type	88
Usable Paper	87
Paper cassette	28, 49
Paper Cassette	93
Paper Feed Orientation	92
Paper size	25
Paper Size	
Setup	98
Paper tray	29
PC	3
PCL	62
PCs	
Connecting to the device	61, 63
Connecting using LAN cable	63
Connecting using USB cable	64
Setting IP addresses	68
Postcards	27
PostScript fonts	62
Power cable	57
Power save	
Power save mode	111
[POWER SAVE] button	
Power save key	34
Power save mode	31, 34
Power save mode	31, 32
Setup	111
Power supply	56
OFF	58
ON	57
Power supply conditions	56
Power switch	26, 57, 58
Main power switch	57, 58
Preparations	26
Printer driver	25
Printer drivers	61

Expansion tray (optional)	82
Mac OS X	74
Types	62
Windows	65, 133
Printer Drivers	94, 101
Printer information	59, 60
Printing	28, 87
Cancelling	122
Manual Feed Printing	104
Paper supporter	28, 29
Printer information	59, 60
Test prints	59
Upper right side cover	28
Problems	74, 82
PS	62

R

Relocation	44
Remaining toner quantity display	25
Rendezvous	74, 78

1

Before use

2

Setting up

3

Printing

4

Basic Device Operations

Appendix

Index

S

Securing lever.....	23, 27
Setting optional drivers	
Mac OS X	85
Windows	82
Setup	41
Network connection	65, 74
Toner cartridge.....	46
USB connections.....	72, 80
Shutdown.....	58
Sleep mode	
Disabling	75
Restrictions.....	116
Setup.....	113
Switching Time.....	114
Slot	23, 27
Printing	27
Software DVD-ROM.....	, 3, 61
Specifications.....	134
Dimensions.....	139
Network interface	137
USB interface	138
Standby screen	23
Starter toner cartridge	31, 32
Startup screen	39
Subnet mask	65, 67
Support (Customer support)	23

T

Test prints	
Test printing using the printer alone	59
Toner cartridge.....	46
Toner replacement cover	23, 27
Transfer roller unit securing lever.....	29
Tray 1	
Tray 1	25
Tray information display	25
Trays	31, 32, 33
Tray 1	49, 93
Trays 2/3/4/5.....	49, 51, 93
Troubleshooting.....	2
Turning OFF the power automatically.....	58
Turning the power OFF automatically.....	118

U

Upper left side cover	27
USB cable.....	64
Connecting	63, 64
USB connections	
Cannot set up	74, 82
Setting up (Mac OS X).....	80
Setting up (Windows).....	72
USB interface connector	64
USB port	64
Use	31
ATTENTION lamp	36
Power cable	31
Utility software.....	2, 3

W

Weight	44
Weight (mass)	23
Windows	26, 30

X

XPS	62
-----------	----

Oki contact details

Oki Systems (UK) Ltd

Blays House
Wick Road
Egham
Surrey
TW20 0HJ

Tel: +44 (0) 1784 274300
Fax: +44 (0) 1784 274301
<http://www.oki.co.uk>

Oki Systems Ireland Limited

The Square Industrial Complex
Tallaght
Dublin 24

Tel:+353 (0) 1 4049590
Fax:+353 (0)1 4049591
<http://www.oki.ie>

Oki Systems Ireland Limited - Northern Ireland

19 Ferndale Avenue
Glengormley
BT36 5AL
Northern Ireland

Tel:+44 (0) 7767 271447
Fax:+44 (0) 1 404 9520
<http://www.oki.ie>

Technical Support for all Ireland:

Tel:+353 1 4049570
Fax:+353 1 4049555
E-mail: tech.support@oki.ie

Oki Systems (Czech and Slovak), s.r.o.

IBC – Pobřežní 3
186 00 Praha 8
Czech Republic

Tel: +420 224 890158
Fax:+420 22 232 6621
Website: www.oki.cz, www.oki.sk

Oki Systems (Deutschland) GmbH

Hansaallee 187
40549 Düsseldorf

Tel: 01805/6544357**
01805/OKIHELP**
Fax: +49 (0) 211 59 33 45
Website:
www.okiprintingsolutions.de
info@oki.de

**0,14€/Minute aus dem dt.
Festnetz der T-Com (Stand
11.2008)

Διανομέας των συστημάτων OKI

CPI S.A1 Rafailidou str.
177 78 Tavros
Athens
Greece

Tel: +30 210 48 05 800
Fax:+30 210 48 05 801
EMail:sales@cpi.gr

Oki Systèmes (France) S.A.

44-50 Av. du Général de Gaulle
94246 L'Hay les Roses
Paris

Tel:+33 01 46 15 80 00
Télécopie:+33 01 46 15 80 60
Website: www.oki.fr

Oki Systems (Magyarország) Kft.

Capital Square
Tower 2
7th Floor
H-1133 Budapest,
Váci út 76
Hungary

Telefon: +36 1 814 8000
Telefax: +36 1 814 8009
Website: www.okihu.hu

Oki Systems (Italia) S.p.A.

via Milano, 11,
20084 Lacchiarella (MI)

Tel:+39 (0) 2 900261
Fax:+39 (0) 2 90026344
Website: www.oki.it

Oki Printing Solutions

Platinum Business Park II, 3rd
Floor
ul. Domaniewska 42
02-672 Warsaw
Poland

Tel:+48 22 448 65 00
Fax:+48 22 448 65 01
Website: www.oki.com.pl
E-mail: oki@oki.com.pl
Hotline: 0800 120066
E-mail: tech@oki.com.pl

Oki Systems (Ibérica) S.A.

Sucursal Portugal
Edifício Prime -
Av. Quinta Grande 53
7º C Alfragide
2614-521 Amadora
Portugal

Tel:+351 21 470 4200
Fax:+351 21 470 4201
Website:www.oki.pt
E-mail : oki@oki.pt

Oki Service

Serviço de apoio técnico ao Cliente

Tel: 808 200 197
E-mail : okiserv@oki.pt

OKI Europe Ltd. (Russia)

Office 702, Bldg 1
Zagorodnoye shosse
117152, Moscow

Tel: +74 095 258 6065
Fax: +74 095 258 6070
e-mail: info@oki.ru
Website: www.oki.ru

Technical support:

Tel: +7 495 564 8421
e-mail: tech@oki.ru

Oki Systems (Österreich)

Campus 21
Businesszentrum Wien Sued
Liebermannstrasse A02 603
22345 Brun am Gebirge

Tel: +43 223 6677 110
Drucker Support:
+43 (0) 2236 677110-501
Fax Support:
+43 (0) 2236 677110-502
Website: www.oki.at

OKI Europe Ltd. (Ukraine)

Raisy Opkinoy Street,8
Building B, 2nd Floor,
Kiev 02002
Ukraine

Tel: +380 44 537 5288
e-mail: info@oki.ua
Website: www.oki.ua

OKI Sistem ve Yazıcı Çözümleri Tic. Ltd. Şti.

Harman sok Duran Is Merkezi,
No:4, Kat:6,
34394, Levent
İstanbul

Tel: +90 212 279 2393
Faks: +90 212 279 2366
Web: www.oki.com.tr
www.okiprintingsolutions.com.tr

Oki Systems (Belgium)

Medialaan 24
1800 Vilvoorde

Helpdesk: 02-2574620
Fax: 02 2531848
Website: www.oki.be

AlphaLink Bulgaria Ltd.

2 Kukush Str.
Building "Antim Tower", fl. 6
1463 Sofia, Bulgaria

tel: +359 2 821 1160
fax: +359 2 821 1193
Website: <http://bulgaria.oki.com>

OKI Printing Solutions

Herstedøstervej 27
2620 Albertslund
Danmark

Adm.: +45 43 66 65 00
Hotline: +45 43 66 65 40
Salg: +45 43 66 65 30
Fax: +45 43 66 65 90
Website: www.oki.dk

Oki Systems (Finland) Oy

Polaris Capella
Vänrikinkuja 3
02600 Espoo

Tel: +358 (0) 207 900 800
Fax: +358 (0) 207 900 809
Website: www.oki.fi

Oki Systems (Holland) b.v.

Neptunustraat 27-29
2132 JA Hoofddorp

Helpdesk: 0800 5667654
Tel: +31 (0) 23 55 63 740
Fax: +31 (0) 23 55 63 750
Website: www.oki.nl

Oki Systems (Norway) AS

Tevlingveien 23
N-1081 Oslo

Tel: +47 (0) 63 89 36 00
Telefax: +47 (0) 63 89 36 01
Ordrefax: +47 (0) 63 89 36 02
Website: www.oki.no

General Systems S.R.L. (Romania)

Sos. Bucuresti-Ploiesti Nr. 135.
Bucharest 1
Romania

Tel: +40 21 303 3138
Fax: +40 21303 3150
Website: http://romania.oki.com

Var vänlig kontakta din
Återförsäljare i första hand, för
konsultation. I andra hand kontakta

Oki Systems (Sweden) AB

Borgarfjordsgatan 7
Box 1191
164 26 Kista

Tel. +46 (0) 8 634 37 00
e-mail:
info@oki.se för allmänna frågor om
Oki produkter

support@oki.se för teknisk support
gällandes Oki produkter

Vardagar: 08.30 - 12.00,
13.00 - 16.00
Website: www.oki.se

Oki Systems (Schweiz)

Baslerstrasse 15
CH-4310 Rheinfelden

Support deutsch +41 61 827 94 81
Support français +41 61 827 94 82
Support italiano +41 061 827 9473
Tel: +41 61 827 9494
Website: www.oki.ch

Oki Data Americas Inc. (United States • États-Unis)

2000 Bishops Gate Blvd.
Mt. Laurel, NJ 08054
USA

Tel: 1-800-654-3282
Fax: 1-856-222-5247
http://WWW.OKIPRINTINGSOLUTIONS.COM
http://my.okidata.com

Oki Data Americas Inc. (Canada • Canadá)

4140B Sladeview Crescent Unit 7 & 8
Mississauga, Ontario
Canada L5L 6A1

Tél: 1-905-608-5000
Télé: 1-905-608-5040
http://WWW.OKIPRINTINGSOLUTIONS.COM

Oki Data Americas Inc. (América Latina (OTRO))

2000 Bishops Gate Blvd.
Mt. Laurel, NJ 08054
USA

Tel (Español): 1-856-222-7496
1-856-222-5276
Fax: 1-856-222-5260
Email: LASatisfaction@okidata.com

Oki Data de Mexico, S.A. de C.V.

Mariano Escobedo #748, Piso 8
Col. Nueva Anzures
C.P. 11590, México, D.F.

Tel: 52-555-263-8780
Fax: 52-555-250-3501
http://WWW.OKIPRINTINGSOLUTIONS.COM

Oki Data do Brasil, Ltda.

Rua Alexandre Dumas, 2220-80
andar Chácara Santo Antonio
04717-004, São Paulo, SP Brasil

Tel: 55-11-3444-6747 (Grande São Paulo)
0800-11-5577 (Demais localidades)
Fax: 5511-3444-3501
e-mail: okidata@okidata.com.br
http://WWW.OKIPRINTINGSOLUTIONS.COM

Oki Data (Singapore) Pte. Ltd.

438A Alexandra Road #02-11/12,
Lobby 3, Alexandra Technopark
Singapore(119967)

Tel:(65) 6221 3722
Fax:(65) 6594 0609
http://www.okidata.com.sg

Oki Systems (Thailand) Ltd.

1168/81-82 Lumpini Tower,
27th Floor Rama IV Road
Tungmahamek, Sathorn
Bangkok 10120

Tel:(662) 679 9235
Fax:(662) 679 9243/245
http://www.okisysthai.com

Oki Data (Australia) Pty Ltd.

Level1 67 Epping Road, Macquarie
Park
NSW 2113, Australia

Tel: +61 2 8071 0000
(Support Tel: 1800 807 472)
Fax: +61 2 8071 0010
http://www.oki.com.au

Comworth Systems Ltd.

8 Antares Place Rosedale,
Auckland, 0632 New Zealand

Tel:(64) 9 477 0500
Fax:(64) 9 477 0549
http://www.comworth.co.nz

Oki Data(S) P Ltd. Malaysia Rep

Office
Suite 21.03, 21st Floor Menara IGB,
Mid Valley City,
Lingkaran Syed Pura 59200,
Kuala Lumpur, Malaysia

Tel: (60) 3 2287 1177
Fax: (60) 3 2287 1166

Oki Data Corporation

4-11-22 Shibaura, Minato-ku, Tokyo
108-8551, Japan

www.okiprintingsolutions.com